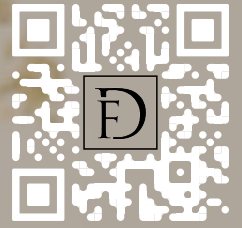




FUSION
DESIGNS



2023



FUSION DESIGNS

EST. 1995

What began as a simple woodworking shop has grown into a trusted source of fine, quality-crafted furniture for every room in the home.

For 2023, we are excited to be able to offer new collections created in the heart of Amish country, most produced and all artfully finished right here in our shop under our strict attention to detail. It's our way of honoring our heritage while pursuing new heights in innovative designs for the future.

We invite you to experience Fusion Designs.

Noah Bontrager

THESE ARE PRINCIPLES
THAT GUIDE US:

QUALITY

Unsurpassed quality standards.

CRAFTSMANSHIP

*A work ethic instilled by
generations of skilled craftsmen.*

INNOVATION

*A dedication to honor the past
and design for the future.*

LIFETIME GUARANTEE

We don't make it complicated. If your properly cared for furniture fails during normal use in the lifetime of the original owner due to problems in either the workmanship or material, we'll repair or replace it for free.

We can do this because we are confident that what we build will last.



FUSION DESIGNS

EST. 1995

CONTENTS

DINING	9	OFFICE	121
Dining Collections.....	11	Office Collections	122
SEATING	75	BEDROOM	133
Chairs	76	Bedroom Collections	134
Barstools	81	FEATURES, OPTIONS, & CARE	209
Chair Dimensions.....	85	Dining	210
Benches.....	89	Special Table Tops	214
STORAGE	93	• Plank Tops	
Hutches.....	94	• Live Edge Glue-Up	
Additional Storage Options.....	97	Seating	215
Buffets/Sideboards.....	98	Fabrics & Leathers.....	216
LIVING ROOM	103	Media	217
Living Room Collections	104	Hardware Options.....	218
• Sofa Tables		Bedroom	220
• Coffee Tables		Wood Care.....	221
• End Tables		Wood Species & Finishes.....	222
ENTERTAINMENT	114	Display Units	224
Media Consoles	116	Internet Policy	225



ABOUT US

OUR ROOTS

Furniture manufacturing has become such an important piece of the fabric of life among the Amish in northern Indiana that it's hard to remember how different things were less than two decades ago. In the early 1990s, woodworking was mostly a hobby among the Amish. It was something to dabble in after a day's work on the farm or at the RV factory.

One of the early pioneers was Noah Bontrager. Noah grew up and worked on a farm until he was eighteen. The family farm consisted of 120 acres and worked with draft horses pulling farm implements. Corn was husked by hand, manure was forked onto manure spreaders by hand, cows were milked by hand, and wheat and oats were put in shocks and put through a thrashing machine. To use a telephone meant walking or riding horseback a few miles to a payphone. After turning eighteen, Noah began work at an RV factory. At the age of 22, Noah began to build furniture as a hobby and learning the fine points of construction through trial and error. Having no formal training in woodworking, this was a period of time where valuable lessons were learned in building all types of furniture and cabinets. Factory life proved unfulfilling so in 1993, Noah committed to take on woodworking as an occupation and Fusion Designs was born.

MADE IN INDIANA

Fast forward to today, most employees are Amish and are neighbors or live close enough that they commute to work with either horse and buggy or bicycle. Many also have farms at home or chores they do after work. Fusion Designs is a family-owned operation and is not a typical corporation. Many questions have been asked regarding the Amish and what we represent or why we choose to live as we do. Amish is not a religion, rather a way of life we feel is patterned off of the teachings of Jesus Christ. We profess to be of the Christian faith and a follower of our Lord and Savior and to Him belongs all honor and glory.





THE FUSION DIFFERENCE

At Fusion Designs, we place our emphasis on attention to detail. We strive to bring out the natural beauty and character of each piece of wood. As a result, these one-of-a-kind pieces built with quality workmanship ensure many years of retained beauty and endurance that can be passed on from generation to generation.

Built in the USA

Fusion Designs is putting American people to work! All of our products are handcrafted in our workshop in Goshen, Indiana.

Quality Construction

We take pride in everything we build.

Customizable - Wood & Finish

Choose from 6 kinds of wood and 25 finish options.

Fully Cartonned

Our products are completely cartonned to help prevent damage and delivered to your doorstep.

Quick Lead Time

We work quickly, without sacrificing quality with every order we receive. Therefore, we have a 6-7 week production times for all custom orders.

Quickship Programs

We understand that your showroom or a customer may need products sooner than our standard 6-7 week production time, therefore, we stock our top-selling products and ship in 10 days.

Dealer Protection

We protect our dealers and give them a radius against competitors.

Great Customer Service

Contact us directly anytime during working hours and we will answer any questions you may have.

Lifetime Warranty

You will need to register with us as the original owner of Fusion Design furniture. See page 221 for details.

Responsibility & Sustainability

Fusion Designs works hard to lower our carbon footprint by employing a variety of responsible practices.



THE NATURE OF WOOD AND ITS ENVIRONMENT

Hardwood forests cover more than 269 million acres in the United States. Although it takes about 80 years for a tree to mature, natural reseeded and sprouting contribute to the regeneration of our forests. Conscientious caretakers are also responsible for the ongoing rebirth of this country's hardwood resource thanks to the use of a practice known as sustained yield forest management. Thanks to this practice, the United States grows twice as much hardwood as it harvests every year. In fact, current projections show that by the year 2040, the U.S. will have about 70% more hardwoods available for harvest.

Conservation has long been a byword for the wood industry, both in the forest and in manufacturing. Lumber mills use approximately 98% of the entire tree harvested. Thanks to the introduction of laser-guided saws, improved quality control and computer-assisted manufacturing, virtually nothing is wasted. The bark, which can constitute up to 20% of a log, often fuels the mill. Bark also is used to produce mulches and soil conditioners, while trimmings are processed into a variety of wood products, including paper.

Our trees are an ever-renewing gift from nature. A vibrant hardwood forest is a dynamic force, contributing to a clean, healthy environment. Forests cool the atmosphere and filter the water we drink. They convert carbon dioxide into oxygen to give us air to breathe. They provide food and shelter for wildlife and offer a spectacular variety of recreational opportunities. Each Autumn, their green leaves burst into brilliant symphonies of amber, orange, magenta, and thousands of hues in between.

U.S. hardwoods are coveted all over the world for their warmth and lasting beauty in furniture, cabinetry, mill work, and flooring. In finished products, hardwoods are the purest expression of nature. They are not synthetic, nor are they engineered. Their beauty is not just skin deep.

HARDWOODS

Hardwoods include broad-leafed trees like oak, walnut, cherry, maple, hickory, and dozens of other species. Mature hardwoods supply the nation, and much of the world, with timber used for everything from railroad ties to quality furnishings.

Just as each tree is different from the next, so, too, are hardwood products individually unique. Hardwoods are characterized by an infinite variety of grains and distinctive textures. Trees grow limbs that fall off as the tree matures. What remains is a knot on the hardwood surface. These natural markings add character to the wood's appearance and have absolutely no effect on the wood's durability and stability.

At Fusion Designs, we strive to bring out the natural beauty and character of each piece of wood. These characteristics give each piece its unique charm. As a result, even though the finishing processes are identical, no two pieces will ever be exactly the same. Embrace the uniqueness of your hardwood furniture. It's what nature intended.

REFORESTATION INITIATIVE

We are proud to be partnering with [Onetreereplanted.org](https://onetreereplanted.org), a non-profit organization with a focus on restoring the world's forests by planting one tree at a time. We partner by giving a portion of every order towards planting trees all over the world. Through this organization, it takes only \$1 to plant a tree! Go to onetreereplanted.org to learn more.



"When trees mature, it is fair and moral that they are cut for man's use, as they would soon decay and return to the earth. Trees have the yearning to live again, perhaps to provide beauty, strength and utility to serve man and even to become an object of great artistic worth."

George Nakashima
(Master woodworker and renowned leader in 20th century furniture design)

PLACING YOUR ORDER

4 EASY STEPS TO CREATE YOUR ORDER

Ordering your custom products can be done in 4 easy steps. Below we have provided our template of how to order Dining products in these 4 steps. Dining and Case Good order forms as well as additional product information can be found at www.fusiondesign.us.

1. Select your item

Choose an item that fits your lifestyle

2. Select your options

Select bases, tops, shapes, edges, hardware and any other options available for your item

3. Select your wood specie

Fusion Designs has six different wood species to choose from

4. Select your finish

FUSION DESIGNS EST. 1993		Dining Special Order Form			Date:
Dealer Name:					Billing:
IF using the complete table item number, enter info below. If using the Build Your Own format leaves lines 15-17 blank and proceed to line 19		Qty	Price	Ext Price	Ship To:
Complete Table Item #				\$ -	PO#
12" Leaf qty					
16" Leaf qty					
1-18" Butterfly Leaf					
If using the Build Your Own format, enter top & base item numbers below					
Table Base Item #				\$ -	
Table Top Item #				\$ -	
Table Shape				\$ -	
Table Edge Profile				\$ -	
Leaf Locks (Cannot Self-store with Leaf Locks)				\$ -	
Table Slides (Wood slides are standard)				\$ -	
Self Storing Leaves (Will be built SS as standard)				\$ -	
Height:				\$ -	
Hayworth Inlay (1 in each end):				\$ -	
				Total:	\$ -
Chair Sku formulated as follows: Style-Bar Chair Option (if needed)-Wood-Finish-Options		Qty	Price	Ext Price	
Side Chair Item #				\$ -	
Arm Chair Item #				\$ -	
Bench Item #				\$ -	
Bar Chair Options				\$ -	
Protective Stretcher Cover For Bar Chairs				\$ -	
Fabric Or Leather Seat				\$ -	
Fabric Or Leather Material Selection				\$ -	
Choice Of Nail Head Color				\$ -	
Optional Bench Legs (Only available with Leg Bench)				\$ -	
				Total:	\$ -
Buffet Item #:				\$ -	
Hutch Item #:				\$ -	
Hardware (Leave blank if using standard hardware):				\$ -	
Mirror Back Option:				\$ -	
Silverware Drawer Option:				\$ -	
				Total:	\$ -
Wood				\$ -	
Finish				\$ -	
Two Tone Finish:	Top Color:			\$ -	
	Base Color:			\$ -	
Hand-Planing				\$ -	
Distressed Finish				\$ -	
Additional Option				\$ -	
				Total:	\$ -



DINING OPTIONS

Revive the art of conversation by gathering your family and friends for meals in your custom – furnished dining room. Handcrafted furniture by Fusion Designs reflects your personal style, your high quality standards and your great eye for detail. We design our furniture for the way you live.

**YOUR HOME
IS YOUR CANVAS.**



AMARILLO *collection*

COLLECTION FEATURES

- Available in sizes: 30"x 72", 30"x 84", 30"x 96", 30"x 108", 30"x 120"
- 72" comes with 2 column base
- 84", 96", 108", and 120" come with 3 column base
- 1 3/8" saw cut top standard (this style top is not available on any other tables)

- Also available in smooth top
- Mission edge is standard
- Not available in any other sizes
- Not available with leaves



Top is standard with **Saw Cut Style Top**

SUGGESTED CHAIR Richfield Side Chair

#NC-9036SCW
19 1/2" w x 17 1/2" d x 41" h



Shown in Rustic Cherry with Natural Matte Finish

Amarillo Table

Table-#AOTB 3096 TM EM
Table Height: 30 3/8"

Popular Sizes:

- #AOTB3072 30"x 72"
- #AOTB3084 30"x 84"
- #AOTB3096 30"x 96"
- #AOTB30108 30"x 108"
- #AOTB30120 30"x 120"



Arabella Side Chair
#ARSCF
18 3/4"w x 17"d x 35 1/4"h



60"x 60"x 1 3/8" Round top
(6060T138TR) with Arabella
single pedestal (ARTB) and a
Bevel edge profile (EB)

**Arabella 60" Round
Pedestal Table**

Table-#ARTB 6060T138 TR EB
Table Height: 30 3/8"
Base will accommodate tops in
sizes 48" x 48"-72" x 72". Max top
size 72" with leaves installed.

Popular Sizes:

#ARTB4848T138 48"x48"
#ARTB5454T138 54"x54"
#ARTB6060T138 60"x60"
#ARTB7272T138 72"x72"
Solid Top Only

Choice of 12" or 16" leaf
36" round tables are not
available with BBS slide upgrade

ARABELLA *collection*

COLLECTION FEATURES

- Constructed with solid hardwoods

COLLECTION OPTIONS

- Distressed finish (#2D)
- Two-tone finish (#2TN)

Table Options

- See page 210 for customization and self storing information



Shown in Brown Maple with #30 Asbury

BARTLETT *collection*

COLLECTION FEATURES

– Constructed with solid hardwoods

Buffet Features

- Soft-closing, full extension, undermount drawer slides
- Soft closing doors
- Dovetailed, solid wood drawers
- Adjustable wood shelves in door
- Wine rack

COLLECTION OPTIONS

Table Options

- See page 210 for customization and self storing information

Buffet Options

- See hardware page in Features & Options section

Bartlett Arm Chair

#BRARW

24" w x 17" d x 38 1/4" h



Bartlett Side Chair

#BRSCW

19 1/4" w x 17" d x 38 1/4" h



Shown in Brown Maple
with # 51 Autumn Finish



*1 shelf per section

Bartlett Buffet (2 Door, 4 Drawer)

#BRBF54
20" w x 54" d x 40" h
Buffet Top: 54" w

Bartlett Buffet (2 Door, 4 Drawer)

#BRBF60
20" w x 60" d x 40" h
Buffet Top: 60" w

Bartlett Buffet (2 Door, 4 Drawer)

#BRBF72
20" w x 72" d x 40" h
Buffet Top: 72" w

Bartlett Buffet (4 Door, 4 Drawer without wine rack)

#BRBF454
20" w x 54" d x 40" h
Buffet Top: 54" w

Bartlett Buffet (4 Door, 4 Drawer without wine rack)

#BRBF460
20" w x 60" d x 40" h
Buffet Top: 60" w

Bartlett Buffet (4 Door, 4 Drawer without wine rack)

#BRBF472
20" w x 72" d x 40" h
Buffet Top: 72" w



Bartlett Table

Table-#BRTB 4272T138 TM EM
Table Height: 30 3/8"
Base will accommodate tops in sizes 36" x 60" - 72" x 72".
Max top size 120" with leaves installed.

Popular Sizes:

#BRTB4272T138 42" x 72"
#BRTB4872T138 48" x 72"

Choice of 12" or 16" leaf

42" x 72" x 1 3/8" Mission top (4272T138TM) with Bartlett Double pedestal (BRTB) and a Mission edge profile (EM)

BOWIE *collection*

COLLECTION FEATURES

Bowie Features

- Round top is standard
- Underbevel edge is standard
- 1" thick top is standard

SUGGESTED CHAIR

Morgan Side Chair

19 1/4" w x 17" D x 34" h

#MNSCW Wood

#MNSCF Fabric

#MNSCL Leather

Morgan Arm Chair

(not shown)

24 1/2" w x 17" d x 34" h

#MNACW Wood

#MNACF Fabric

#MNAFL Leather



Bowie Table

Table-#BETB 4242 TR EU

Max top size 66" with
leaves installed.

Popular Sizes:

#BETB3636 36"

#BETB4242 42"

#BETB4848 48"

#BETB5454 54"

Choice of 12" or 16" leaf
or 18" butterfly leaf

36" round tables are not
available with BBS slide upgrade

Shown in Brown Maple with #65 Chocolate finish

BOWIE PUB *collection*

COLLECTION FEATURES

Bowie Pub Features

- Available sizes are 36", 42", or 48" Round
- Available only in 36" tall (42" tall not available)
- Underbevel edge is standard
- Pub only available as solid top
- Pub table top will be built without apron



Bowie Pub Table

Table- #BETB 4242 TR EU TLC

Popular Sizes:

#BETB3636TLC 36"

#BETB4242TLC 42"

#BETB4848TLC 48"

Choice of 12" or 16" leaf
or 18" butterfly leaf

36" round tables are not
available with BBS slide upgrade

Shown in Brown Maple with #65 Chocolate finish

BRIDGEPORT *collection*

COLLECTION FEATURES

– Constructed with solid hardwoods

Chair Features

- Bench-built construction
- Glued mortis and tenon joints
- Accurately leveled for stability

COLLECTION OPTIONS

Table Options

- See page 210 for customization and self storing information



42" x 42" x 1" Round top (4242TR) with Bridgeport Single pedestal (BTTB) and a Roundover edge profile (ER)

Bridgeport Table

Table-#BTTB 4242 TR ER

Base will accommodate tops in sizes 36" x 36" - 60" x 60". Max top size 66" with leaves installed.

Popular Sizes:

- #BTTB3636 36"
- #BTTB4242 42"
- #BTTB4848 48"
- #BTTB5454 54"
- #BTTB6060 60"

Choice of 12" or 16" leaf or 18" butterfly leaf

36" round tables are not available with BBS slide upgrade

Bridgeport Side Chair

#BTSCW

17" w x 16 1/2" d x 37 1/2" h



Shown in Brown Maple with #32 Michael's Cherry Finish

BRIDGEPORT DOUBLE PEDESTAL *collection*

COLLECTION FEATURES

– Constructed with solid hardwoods

COLLECTION OPTIONS

Table Options

– See page 210 for customization and self storing information



Hatfield Side Chair
#HASCW
18 1/2" w x 16 1/2" d x 37 1/2" h



42" x 72" x 1" Banquet top (4272TBT) with Bridgeport Double pedestal (BTDTB) and a Roundover edge profile (ER)

Bridgeport Double Pedestal Table

Table-#BTDTB 4272 TBT ER

Base will accommodate tops in sizes 36" x 60" - 72" x 72". Max top size 120" with leaves installed.

Popular Sizes:

#BTDTB3660 36" x 60" #BTDTB4866 48" x 66"

#BTDTB4266 42" x 66" #BTDTB4872 48" x 72"

#BTDTB4272 42" x 72"

Choice of 12" or 16" leaf



Shown in Brown Maple with #49 Onyx

CAPE COD PUB *collection*

COLLECTION FEATURES

- Constructed with solid hardwoods

Table Features

- Base features 2 drawer for 30" height tables, 3 drawer for 36" height, and 3 drawer for 42" high

Chair Features

- Standard seat height is 24"

COLLECTION OPTIONS

- Distressed finish (#2D)
- Two-tone finish (#2TN)

Table Options

- See page 210 for customization and self storing information



Shown in Brown-Maple with #99 Toffee Top and #49 Onyx Base

Cape Cod Bar Chair
#CDBSW
25" w x 18" d x 40" h



48" x 48" x 1" Mission top with 1 butterfly leaf (48481BTM) with 30" tall Cape Cod pedestal (CDTB) and a Mission edge profile (EM)



Cape Cod Table
Table-#CDTB 48481B TM EM

Base will accommodate tops in sizes 48" x 48" - 72" x 72". Max top size 72" with leaves installed.

Popular Sizes:

#CDTB4848 48" x 48"
#CDTB4860 48" x 60"

Choice of 12" or 16" leaf or 18" butterfly leaf

Standard 30" dining height pedestal will only have two drawers.

CASPIAN *collection*

COLLECTION FEATURES

- Constructed with solid hardwoods

Trestle Table Features

- Top features 1 3/8" thick, plank style top

Single Table Features

- 1 3/8" thick smooth top is standard
- Round top is standard
- Mission edge is standard

Hutch Features

- Flush doors with light guard
- Antique glass sides
- Leaded glass doors
- Open deck
- Touch lighting
- 1 adjustable glass shelf w/ plate groove in top
- Fixed shelf in base
- Soft closing undermount drawer guide
- Soft closing doors
- Dovetailed solid wood drawers

COLLECTION OPTIONS

Table Options

- See page 210 for customization and self storing information

Hutch Options

- Hardware options (see Features & Options section)
- Mirror Back (#MB)
- Silverware Drawer insert (#SRD)



Caspian Standard Bench

(not shown)

36" w - #CPBEN36

48" w - #CPBEN48

60" w - #CPBEN60

72" w - #CPBEN72

Caspian Expandable Bench

#CPEXB

48-96" w x 13" d x 18" h

See Features & Options section for expectations and details on plank tops.



Shown in Rustic Cherry with #74 Rustic Bourbon Distressed



Caspian Arm Chair
#CPACL
24"w x 17"d x 39"h



Caspian Side Chair
#CPSCL
19"w x 17"d x 39"h



Caspian Single Table

Table-#CPSTBT 1384242 TR EM
Table Height: 30 3/8"

Max top size 66" with leaves installed.

Popular Sizes:

#CPSTBT1384242 42"

#CPSTBT1384848 48"

#CPSTBT1385454 54"

#CPSTBT1386060 60" Solid Top Only

Choice of 12" or 16" leaf

36" round tables are not available with BBS slide upgrade

Shown in Brown Maple
with #30 Asbury Finish

CASPIAN *collection*

CONTINUED...

Caspian Hutch

#CPBFT40 (2-door)
42 1/2" w x 20" d x 46" h

#CPBFT60 (3-door)
60 1/2" w x 20" d x 46" h

#CPBFT80 (4-door)
80 1/2" w x 20" d x 46" h

Caspian Buffet

#CPBFB40 (2-door)
40" w x 20" d x 34" h
Buffet Top: 40" w

#CPBFB60 (3-door)
58" w x 20" d x 34" h
Buffet Top: 58" w

#CPBFB80 (4-door)
78" w x 20" d x 34" h
Buffet Top: 76" w



*1 fixed shelf in base
*1 adjustable glass shelf
w/ plate groove in top



Caspian Table
iron detail



Caspian Table

Table-#CPTB 4272P1 TM EM
Table Height: 30 3/8"
Base will accommodate tops in sizes
36" x 60" - 72" x 72". Max top size 120"
with leaves installed.

Popular Sizes:

#CPTB4272P1 42" x 72"
#CPTB4872P1 48" x 72"

Choice of 16" leaf

42" x 72" x 1 3/8" Planked mission
top (4272P1TM) with Caspian
Double pedestal (CPTB) and a
Mission edge profile (EM)

CELINA *collection*

COLLECTION FEATURES

– Constructed with solid hardwoods

Buffet Features

- Soft-closing, full extension, undermount drawer slides
- Soft closing doors
- Dovetailed, solid wood drawers
- Radius doors
- 1 shelf per door stationary
- If no wine rack, 1 shelf in center

COLLECTION OPTIONS

Table Options

– See page 210 for customization and self storing information

Buffet Options

– See hardware page in Features & Options section

Celina Side Chair
#CLSCF
19" w x 17" d x 39" h



Shown in Quartersawn with #100 Pebble finish

CELINA *collection*

CONTINUED...

**Celina Buffet
(4 door, 1 drawer)**
#CLBF54
20" d x 54" l x 40" h
Buffet Top: 54" w

**Celina Buffet
(4 door, 1 drawer)**
#CLBF60
20" D x 60" l x 40" h
Buffet Top: 60" w

**Celina Buffet
(4 door, 1 drawer)**
#CLBF72
20" d x 72" l x 40" h
Buffet Top: 72" w

*1 shelf per door stationary
*If no wine rack, 1 shelf in cater



60" x 60" x 1 3/8" Round top
(6060T138TR) with Celina single
pedestal (CLTB) and a Ogee edge
profile (EO)

Celina Table
Table-#CLTB 6060T138 TR EO
Table Height: 30 3/8"
Base will accommodate tops in sizes 48"x48"-
72"x72". Max top size 72" with leaves installed.

Popular Sizes:
#CLTB48T138 48"
#CLTB54T138 54"
#CLTB60T138 60"
#CLTB72T138 72" Solid Top Only
Choice of 12" or 16" leaf
36" round tables are not
available with BBS slide upgrade

CHARLESTON *collection*

COLLECTION FEATURES

- Constructed with solid hardwoods
- 1" thick tops

Sedona Side Chair
#SASCW
19" w x 17" d x 38" h



Shown in Cherry with
#51 Autumn

CHARLESTON *collection*

CONTINUED...

Charleston Pub Table

Table-#CNTBTLC 4242 TR EM

Base will accommodate tops in sizes 42" x 42" - 60" x 60". Max top size 66" with leaves installed.

36" round tables are not available with BBS slide upgrade

42" x 42" x 1" Round top (4242TR) with Charleston single pedestal counter height (CNTBTLC) and a Mission edge profile (EM)



Charleston Table

Table-#CNTB 4242 TR EM

Base will accommodate tops in sizes 42" x 42" - 60" x 60". Max top size 66" with leaves installed.

Popular Sizes:

#CNTB4242 42"

#CNTB4848 48"

#CNTB5454 54"

#CNTB6060 60"

-Solid Top Only

Choice of 12" or 16" leaf or 18" butterfly leaf

36" round tables are not available with BBS slide upgrade

42" x 42" x 1" Round top (4242TR) with Charleston single pedestal (CNTB) and a Mission edge profile (EM)

CLASSIC *collection*

COLLECTION FEATURES

- Constructed with solid hardwoods
- 1" thick tops

Buffet & Hutch Features

- Soft-closing, full extension, undermount drawer guides
- Dovetailed, solid wood drawers
- Recessed touch lighting
- Beveled glass doors are standard
- 1 fixed shelf in base
- 1 glass shelf w/ plate groove in top
- Soft-close doors

COLLECTION OPTIONS

- Distressed finish (#2D)
- Two-tone finish (#2TN)

Table Options

- See page 210 for customization and self storing information

Buffet & Hutch Options

- See hardware page in Features & Options section
- Silverware drawer insert (#SRD)
- Mirror back available
- Available with 2 doors (40" wide), 3 doors (56" wide) or 4 doors (72" wide)

Kennebec Side Chair

#KCSCW

19 1/2" w x 19" d x 42" h

Kennebec Arm Chair

(not shown)

#KCACW

25" w x 19" d x 42" h



"STOCK
ITEMS
READY FOR
IMMEDIATE
SHIPPING"



Shown in Brown Maple with #30 Asbury

CLASSIC *collection*

CONTINUED...



Leg options L to R

(top square leg dimensions):

- #L1 Brookline (2 3/8")
- #L2 Englewood (3")
- #L3 Farmer (3 1/2")
- #L4 Hoosier (3")
- #L7 Mission (3")
- #L8 Regular (3")
- #L9 Round Shaker (3")
- #CCTB Classic Shaker L10 (3")



Classic Table

Table-#CCTB 4266 TM EB

Base will accommodate tops in sizes 36" x 36" - 72" x 72". Max top size 216" with leaves installed.

Popular Sizes:

- #CCTB3648 36" x 48"
- #CCTB3654 36" x 54"
- #CCTB3660 36" x 60"
- #CCTB4260 42" x 60"
- #CCTB4266 42" x 66"
- #CCTB4272 42" x 72"
- #CCTB4860 48" x 60"
- #CCTB4866 48" x 66"
- #CCTB4872 48" x 72"
- #CCTB6060 60" x 60"
- #CCTB7272 72" x 72"

Choice of 12" or 16" leaf or 18" butterfly leaf

42" x 66" x 1" Mission top (4266TM) with Shaker legs (CCTB) and a Bevel edge profile (EB)

*Butterfly leaf only available with Mission shaped top (TM)



Classic Hutch

#CCBFT40 (2-door) 40"w x 20"d x 46"h
 #CCBFT56 (3-door) 56"w x 20"d x 46"h
 #CCBFT72 (4-door) 72"w x 20"d x 46"h

Classic Buffet

#CCBFB40 (2-door) 40"w x 20"d x 34"h, Buffet Top: 38 7/8"w
 #CCBFB56 (3-door) 56"w x 20"d x 34"h, Buffet Top: 56 3/8"w
 #CCBFB72 (4-door) 72"w x 20"d x 34"h, Buffet Top: 72"w

*1 fixed shelf in base

*1 glass shelf w/ plate groove in top



Classic Arm Chair

#CCACW
 25 1/2"w x 17 3/4"d x 42"h



Classic Side Chair

#CCSCW
 18"w x 17 3/4"d x 42"h

COPENHAGEN *collection*

COLLECTION FEATURES

- Mission edge is standard
- No optional table shapes or edges available
- Base will be used in combination with Flush skirt as shown

Leaf Storage Cabinet Features

- Available in 60" length - stores 36", 42", or 48" long leaves
- 36" standard height
- Standard depth is 19" and will need to add 6" in depth to store 16" wide leaves
- Cabinets can store up to 10 leaves with skirt
- Standard with two adjustable shelves

SUGGESTED CHAIR

Morgan Side Chair
 19 1/4" w x 17" D x 34" h
 #MNSCW Wood
 #MNSCF Fabric
 #MNSCL Leather

Morgan Arm Chair (not shown)
 24 1/2" w x 17" d x 34" h
 #MNACW Wood
 #MNACF Fabric
 #MNAFL Leather



Copenhagen Table
 Table-#CHTB 4266 TM EM

Max top size 120" with leaves installed.

Popular Sizes:

- #CHTB4260 42" x 60"
- #CHTB4266 42" x 66"
- #CHTB4272 42" x 72"
- #CHTB4860 48" x 60"
- #CHTB4866 48" x 66"
- #CHTB4872 48" x 72"

Choice of 12" or 16" leaf



Copenhagen Leaf Storage Cabinet
 #CHBF60 60"
 60" w x 19" d x 36" h



Shown in Brown Maple with #65 Chocolate finish

EDMONTON *collection*

COLLECTION FEATURES

- Constructed with solid hardwoods
- 1" thick tops

Hutch & Buffet Features

- Soft-closing, full extension, undermount drawer slides
- Dovetailed, solid wood drawers
- Inset doors and drawers are standard
- 2 adjustable glass shelves
- Recessed touch lighting
- Adjustable wood shelf in base
- Soft-close doors

COLLECTION OPTIONS

- Distressed finish (#2D)
- Two-tone finish (#2TN)

Table Options

- See page 210 for customization and self storing information

Hutch & Buffet Options

- See hardware page in Features & Options section
- Silverware drawer insert (#SRD)

Edmonton Side Chair
#ENSCW
18"w x 17"d x 38"h



"STOCK
ITEMS
READY FOR
IMMEDIATE
SHIPPING"



Shown in Brown Maple with #30 Asbury

EDMONTON *collection*

CONTINUED...



Edmonton Arm Chair
#ENACW
22 1/2" w x 17" d x 38" h

Edmonton Corner Hutch
#ENBFT
46" w x 25" d x 53" h

Edmonton Corner Buffet
#ENBFB
46" w x 25" d x 36" h

Standard hardware is E-5



Edmonton Table
Table-#ENTB 4242 TR EM

Base will accommodate tops in sizes 36" x 36" - 60" x 60". Max top size 66" with leaves installed.

Popular Sizes:
#ENTB3636 36"
#ENTB4242 42"
#ENTB4848 48"
#ENTB5454 54"

Choice of 12" or 16" leaf or 18" butterfly leaf
36" round tables are not available with BBS slide upgrade

42" x 42" x 1" Round top (4242TR) with Edmonton single pedestal (ENTB) and a Mission edge profile (EM)

ELARA *collection*

COLLECTION FEATURES

- Constructed with solid wood
- 1" Thick Tops

Table Features

- Base will be used in combination with detailed skirt as shown

***Elara Table does not have gap cover due to shape of aprons**

Buffet & Hutch Features

- Soft-closing, full extension, undermount drawer guides
- Dovetailed, solid wood drawers
- Recessed touch lighting
- Soft-close doors
- Display chest includes 2 adjustable glass shelves
- Door chest includes 2 adjustable shelves
- Shelf chest includes 2 adjustable shelves that can be used as wine bottle holders or regular shelves

COLLECTION OPTIONS

- Distressed finish (#2D)

Table Options

- See page 210 for customization and self storing information

Hutch & Buffet Options

- See hardware page in Features and Options section



Elara Side Chair
#EASC - Fabric
#EASCL - Leather
18 1/2" w x 16 3/4" d x 38" h



Shown in Brown Maple with #103 Dew

ELARA *collection*

CONTINUED...



54" x 36" x 1" w/1-18"
Butterfly Leaf and
Mission top (54361BTM)
with Elara legs Counter
Height (EATBTLC) and an
underbevel edge profile (EU)



Elara Bar Chair

#EA24
18 1/2" w x 16 3/4" d x 44" h
#EA24 - 24" Fabric
#EA24L - 24" Leather

#EA30
18 1/2" w x 16 3/4" d x 50" h
#EA30 - 30" Fabric
#EA30L - 30" Leather

Elara Pub Table

Table-#EATBTLC 54361B TM EU

Base will accommodate tops in sizes
36" x 36" - 72" x 72". Max top size 216" with
leaves installed.

Popular Sizes:

#EATB36TLC 54" w x 36" d x 36" h Tall
#EATB42TLC42 54" w x 36" d x 42" h Tall

Choice of 18" butterfly leaf



Elara Dining Table

Table-#EATB 4284 TM EU

Base will accommodate tops in sizes 36" x 36" -
72" x 72". Max top size 216" with leaves installed.

Popular Sizes:

#EATB3648 36" x 48" #EATB4284 42" x 84" Solid Top Only
#EATB3654 36" x 54" #EATB4860 48" x 60"
#EATB3660 36" x 60" #EATB4866 48" x 66"
#EATB4260 42" x 60" #EATB4872 48" x 72"
#EATB4266 42" x 66"
#EATB4272 42" x 72" Choice of 12" or 16" leaf or 18" butterfly leaf

42" x 84" x 1" Mission top
(4284TM) with Elara legs
(EATB) and an underbevel
edge profile (EU)



Elara Display Chest
#EADPC
40"w x 19"d x 78"h

For same hardware in brushed nickel color, specify 7975384195 Hardware choice.



Elara Shelf Chest
#EASC
38"w x 18"d x 38"h



Elara Door Chest
#EADC
38"w x 18"d x 38"h



Shelves can be reversed for wine bottle storage



Individual units can be combined to form 1 large buffet

ELLIOT *collection*

COLLECTION FEATURES

Trestle Table Features

- 1" thick top is standard
- Large Cove edge is standard
- Mission shape top is standard

Single Table Features

- 1" thick top is standard
- Large Cove Edge is standard

SUGGESTED CHAIR

Richfield Side Chair
#NC-9036SCW
19 1/2" w x 17 1/2" d x 41" h

Richfield Arm Chair
(not shown)
#NC-9036ACW
26" w x 17 1/2" d x 41" h



Elliot Bench

#ETBEN36 36"
#ETBEN48 48"
#ETBEN60 60"
#ETBEN72 72"

Elliot Expanda Bench

#ETEXB

Elliot Round Table

#ETSTB 4848 TR EV

Max top size 72" with leaves installed.

Popular Sizes:

#ETSTB4242 42"
#ETSTB4848 48"
#ETSTB5454 54"
#ETSTB6060 60"

Choice of 12" or 16" leaf
or 18" butterfly leaf

Shown in Brown Maple with #45
New Century finish

36" round tables are not
available with BBS slide upgrade



Elliot Trestle Table

#ETTB 4272 TM EV

Max top size 120" with
leaves installed.

Popular Sizes:

#ETTB4260 42" x 60"
#ETTB4266 42" x 66"
#ETTB4272 42" x 72"
#ETTB4872 48" x 72"

Choice of 12" or 16" leaf

Shown in Brown Maple with
#103 Dew finish

FARMVILLE *collection*

COLLECTION FEATURES

– Constructed with solid wood

Trestle Features

- Mission top
- 1³/₈" thick top
- Mission edge profile

Single Pedestal Features

- Mission edge profile
- 1³/₈" thick top
- Minimum top size 42"
- Round top
- Max. length 66" with leaves included

Buffet Features

- Soft-Closing, full extension, undermount drawer slides
- Soft closing doors on buffet only
- Dovetailed, solid wood drawers
- 2 shelves per section in base
- Recessed touch lighting
- 2 glass adjustable shelves in top

COLLECTION OPTIONS

Table Options

- See page 210 for customization and self storing information

Buffet Options

- See hardware page in Features & Options section

Conner Side Chair

19" w x 17" d x 41" h
#CRSCW Wood
#CRSCF Fabric
#CRSCL Leather

Conner Arm Chair (not shown)

25" w x 17" d x 41" h
#CRACW Wood
#CRACF Fabric
#CRACL Leather



Shown in Rustic Cherry with #103 Dew

FARMVILLE *collection*

CONTINUED...

*2 shelves per section in base
*2 shelves in top



**Farmville Buffet
(3 Drawer, 2 Door)**
#FEBF
20" w x 57" d x 35" h

**Farmville Buffet
(1 Drawer, 2 Door)**
#FEBF31
20" w x 31 1/2" d x 35" h



Farmville Hutch (2 Door)
#FEBFT
20" w x 60 1/2" d x 46 1/2" h

Farmville Hutch (1 Door)
#FEBFT35
20" w x 57" d x 35" h



Farmville Single Table
Table-#FETBSP48T138 TR EM
Table Height: 30 3/8"
Max top size 72" with leaves installed.

Popular Sizes:
#FETBSP42T138 42"
#FETBSP48T138 48"
#FETBSP54T138 54"
#FETBSP60T138 60" Solid Top Only

Choice of 12" or 16" leaf

Shown in Brown Maple with #45 New Century finish

36" round tables are not available with BBS slide upgrade



42" x 72" x 1 3/8" Mission top (4272T138TM) with Farmville Double pedestal (FETB) and a Mission edge profile (EM)

Farmville Table
Table- #FETB 4272T138 TM EM
Table Height: 30 3/8"
Base will accommodate tops in sizes 36" x 60" - 72" x 72". Max top size 120" with leaves installed.

Popular Sizes:
#FETB4272T138 42" x 72"
#FETB4284T138 42" x 84" Solid Top Only
#FETB4872T138 48" x 72"
#FETB4884T138 48" x 84" Solid Top Only

Choice of 12" or 16" leaf

FULTON *collection*

COLLECTION FEATURES

Round Table Features

- Available 42", 48", or 54" diameter
- Round top is standard
- Bevel edge is standard

Trestle Table Features

- Rectangular top is standard
- Bevel edge is standard
- Standard top thickness is 1"



Fulton Round Table

Table-#FNSTB 4242 TR EB

Max top size 72" with leaves installed.

Popular Sizes:

#FNSTB4242 42"
#FNSTB4848 48"
#FNSTB5454 54"

Choice of 12" or 16" leaf
or 18" butterfly leaf

Shown in Brown Maple with #30 Asbury.
36" round tables are not available with
BBS slide upgrade



Fulton Bench

#FNBEN36 36"
#FNBEN48 48"
#FNBEN60 60"
#FNBEN72 72"

Fulton Expandable Bench

#FNEXB

Fulton Trestle

Table-#FNTB 4272 TM EB

Max top size 120"
with leaves installed.

Popular Sizes:

#FNTB4260 42" x 60"
#FNTB4266 42" x 66"
#FNTB4272 42" x 72"
#FNTB4872 48" x 72"

Choice of 12" or 16" leaf

Shown in Rustic Cherry with
#68 Hazelnut finish.





Gibson High Buffet

#GBHBF44 (2-door, 4-drawer)
44" w x 20" d x 50" h

#GBHBF56 (3-door, 4-drawer)
56" w x 20" d x 50" h

#GBHBF68 (4-door, 6-drawer)
68" w x 20" d x 50" h

Gibson Bench

#GBBEN36 36" w x 13" d x 18" h

#GBBEN48 48" w x 13" d x 18" h

#GBBEN60 60" w x 13" d x 18" h

#GBBEN72 72" w x 13" d x 18" h

Gibson Expandable Bench

#GBEXB

48-96" w x 13" d x 18" h



Gibson Table

Table-#GBTB 4272 TM EB

Base will accommodate tops in sizes 36"x36"-72"x72". Max top size 216" with leaves installed.

Popular Sizes:

#GBTB3648 36"x48"

#GBTB3654 36"x54"

#GBTB3660 36"x60"

#GBTB4260 42"x60"

#GBTB4266 42"x66"

#GBTB4272 42"x72"

#GBTB4860 48"x60"

#GBTB4866 48"x66"

#GBTB4872 48"x72"

Choice of 12" or 16" leaf or 18" butterfly leaf



42" x 72" x 1" Mission top (4272TM) with Gibson legs (GBTB) and a Bevel edge profile (EB)

GIBSON *collection*

COLLECTION FEATURES

- Constructed with solid hardwoods

Table Features

- Base will be used in combination with arched skirt as shown

Hutch Features

- Flush doors with light guard
- Multi-setting touch lights
- 1 adjustable glass shelf
- Soft closing undermount drawer guide
- Soft closing doors
- Dovetailed solid wood drawers



Gibson Side Chair

#GBSCW

19"w x 17 1/2"d x 38"h



Gibson Arm Chair

#GBACW

22"w x 17 1/2"d x 38"h



Shown in Cherry with #52 Chilton Finish



Goshen Buffet
#GNBF60
60" w x 20" d x 40" h

*1 adjustable wood shelf



42" x 72" x 1" Mission top
(4272TM) with Goshen
Double pedestal (GNTB) and
a Mission edge profile (EM)

Goshen Table
Table-#GNTB 4272 TM EM

Base will accommodate tops in sizes 36" x 60" -
72" x 72". Max top size 120" with leaves installed.

Popular Sizes:
#GNTB3654 36" x 54"
#GNTB3660 36" x 60"
#GNTB4272 42" x 72"
#GNTB4872 48" x 72"
Choice of 12" or 16" leaf

GOSHEN *collection*

COLLECTION FEATURES

- Constructed with solid hardwoods
- 1" thick tops

Buffet Features

- Textured glass is standard
- One adjustable shelf in each door
- Inset doors and drawers are standard
- Soft-closing, full extension, undermount drawer slides
- Dovetailed, solid wood drawers
- Soft-close doors

Classic Side Chair

#CCSCW

18" w x 17 3/4" d x 42" h

Classic Arm Chair

(not shown)

#CCACW

25 1/2" w x 17 3/4" d x 42" h



Shown in Quartersawn Oak with #32 Michael's Cherry

HATFIELD *collection*

COLLECTION FEATURES

– Solid wood construction

Chair Features

– Bench built construction

– Glued mortis and tenon joints

– Accurately leveled for stability

– Leather and fabric are hand selected for consistency

COLLECTION OPTIONS

Table Options

– See page 210 for customization and self storing information



Shown in Brown Maple with #32 Michael's Cherry

Hatfield Side Chair
 #HASCW
 18 1/2" w x 16 1/2" d x 37 1/2" h
 – Also available with
 fabric or leather seat



Hatfield Table
 Table-#L1 4266 TBS EB

Base will accommodate tops in sizes
 36" x 36" - 72" x 72". Max top size 216"
 with leaves installed.

Popular Sizes:

- | | |
|---------------------|---------------------|
| #L1TB3654 36" x 54" | #L1TB4272 42" x 72" |
| #L1TB3660 36" x 60" | #L1TB4860 48" x 60" |
| #L1TB4260 42" x 60" | #L1TB4866 48" x 66" |
| #L1TB4266 42" x 66" | #L1TB4872 48" x 72" |

Choice of 12" or 16" leaf

42" x 66" x 1" Boat top
 (4266TBS) with Brookline legs
 (L1) and a Bevel edge profile
 (EB)



Features **Ebony Inlays**

Hayworth Hutch
 #HHBFT62 (3-door)
 62" w x 21 1/2" d x 46" h
 #HHBFT46 (2-door)
 46" w x 21 1/2" d x 46" h
 #HHBFT80 (4-door)
 80" w x 21 1/2" d x 46" h
 - Crown molding adds
 3" to overall width



*1 shelf in base and
 1 shelf in top



Hayworth Buffet
 #HHBFB46 (2-door)
 46" w x 21 1/2" d x 35" h
 #HHBFB62 (3-door)
 62" w x 21 1/2" d x 35" h
 #HHBFB80 (4-door)
 80" w x 21 1/2" d x 35" h



42" x 72" x 1" Boat top(4272TBS) with Hayworth Double pedestal (HHTB) and a Bevel edge profile (EB) with inlay (HI)

Inlay in base is standard. Inlay in top is optional and will be built without inlay if not noted when being ordered.

Hayworth Table
 Table-#HHTB 4272 TBS EBHI
 Base will accommodate tops in sizes 36" x 60" - 72" x 72". Max top size 120" with leaves installed.

Popular Sizes:
 #HHTB4272 42"x72" No Inlay In Top
 #HHTB4272HI 42"x72" With Inlay In Top
 #HHTB4872 48"x72" No Inlay In Top
 #HHTB4872HI 48"x72" With Inlay In Top
 Choice of 12" or 16" leaf

HAYWORTH *collection*

COLLECTION FEATURES

- Constructed with solid hardwoods
- 1" thick tops
- Ebony inlays

Table Features

- Base features Ebony wooden inlay

Hutch & Buffet Features

- Recessed touch lighting
- Beveled glass doors are standard
- 1 shelf in base and 1 shelf in top
- Soft-closing, full extension, undermount drawer slides
- Dovetailed, solid wood drawers
- Soft-close doors



**Hayworth High Back
Arm Chair (shown)**

#HHHACW
26" w x 18" d x 49" h

Hayworth Arm Chair

#HHACW
26" w x 18" d x 43" h



**Hayworth
Side Chair (shown)**

#HHSCW
19" w x 18" d x 43" h

**Hayworth High Back
Side Chair**

#HHHSCW
19" w x 18" d x 49" h



Shown in Quartersawn Oak with #30 Asbury

Ellington Side Chair
18 1/2" w x 17" d x 41" h
Wood #ELSCW
Fabric #ELSCF
Leather #ELSCL

Ellington Arm Chair
26 1/2" w x 17" d x 41" h
Wood #ELACW
Fabric #ELACF
Leather #ELACL



Goshen Buffet
#GNBF60
60" w x 20" d x 40" h

*1 adjustable wood shelf

HEARTLAND *collection*

COLLECTION FEATURES

- Constructed with solid hardwoods
- 1" thick tops
- Mission edge is standard

Table Features

- Base splits to accommodate longer length tops and leaves

Buffet Features

- Textured glass is standard
- One adjustable shelf in each door
- Inset doors and drawers are standard
- Soft-closing, full extension, undermount drawer slides
- Dovetailed, solid wood drawers
- Soft-close doors

**Not available with BBS slides due to base style*

54" x 54" x 1" Round top (5454TR) with Heartland single pedestal (HDTB) and a Mission edge profile (EM)



Heartland Table

Table-#HDTB 5454 TR EM

Base will accommodate tops in sizes 48"x48"-72"x72". Max top size 192" with leaves installed.

Popular Sizes:

#HDTB4848 48"

#HDTB5454 54"

Choice of 12" or 16" Leaf



Table splits in center to accommodate up to 192" in length

HENNING *collection*

COLLECTION FEATURES

- Constructed with solid wood
- Egg Shaped

COLLECTION OPTIONS

Table Options

- See page 210 for customization and self storing information

Henning Side Chair
#HGSCW
18 1/2" w x 17 1/2" d x 32" h



Shown in Brown Maple with #65 Chocolate Finish



Henning Bench
 #HGBEN54
 16" w x 54" d x 18" h



Henning Table
 Table-#HGTB 4254 TE EM

Base will accommodate tops in sizes 42" x 42" – 60" x 60". Max top size 66" with leaves installed.

Popular Sizes:
 #HGTB4254 42" x 54"
 #HGTB4854 48" x 60"
 - Solid Top Only

Choice of 12" leaf
 36" round tables are not available with BBS slide upgrade

**Table will not accommodate 16" leaves*

42" x 54" x 1" Round top (4254TE) with Henning single pedestal (HGTB) and a Mission edge profile (EM)

*42" x 54" and 48" x 60" sizes will be standard with square apron as pictured – Round table tops will receive round apron, Oval table tops will receive oval apron, in order to accommodate slides

INFINITY *collection*

COLLECTION FEATURES

- Constructed with solid hardwoods
- 1" thick tops



Infinity Table

Table-#IYTB 4242 TR EO

Base will accommodate tops in sizes 36"x36"-60"x60". Max top size 66" with leaves installed.

Popular Sizes:

#IYTB4242 42"

#IYTB4848 48"

#IYTB5454 54"

Choice of 12" or 16" leaf or 18" butterfly leaf

36" round tables are not available with BBS slide upgrade

42" x 42" x 1" Round top (4242TR) with Infinity single pedestal (IYTB) and an Ogee edge profile (EO)



Infinity Chair

#IYSCF

16 1/2" w x 16" d x 33 3/4" h



Shown in Brown Maple with #44 Black Paint

MADRID & MADRID PUB

collection

COLLECTION FEATURES

Table Features

- Available in 38", 44", or 50" Round
- Round top is standard with flush 2" skirt
- Mission edge is standard
- Standard top thickness is 1"
- No custom sizes or shapes due to flush skirt

Pub Features

- Available in 42" and 48" round solid top
- Standard with round top without skirt
- Underbevel edge is standard
- Standard top thickness is 1"
- Standard height is 36"
- 42" high is not available

Madrid Side Chair

- #MDSCF- Fabric
- #MDSCL- Leather



Shown in Brown Maple with #30 Asbury finish

MADRID & MADRID PUB

collection

CONTINUED..



Madrid Table

#MDTBM 44 TR EM

Max top size 66" with leaves installed.

Popular Sizes:

#MDTBM38 38"

#MDTBM44 44"

#MDTBM50 50"

Choice of 12" or 16" leaves

38" round tables are not available with BBS slide upgrade

Madrid Pub Table
#MDTBM 42TLC TR EM

Solid Top Only

Popular Sizes:

#MDTBM42TLC 42"

#MDTBM48TLC 48"



OLD MISSION *collection*

COLLECTION FEATURES

– Constructed with solid hardwoods

Hutch Features

- Soft-closing undermount drawer guide
- Soft-closing doors
- Dovetailed solid wood drawers
- 2 shelves

Old Mission Side Chair

#OMSCW
18" w x 17" d x 38" h

Old Mission Arm Chair

#OMACW
25" w x 18" d x 38" h



Shown in Oak with #32 Michaels

OLD MISSION *collection*

CONTINUED...



Old Mission Pie Safe
#OMBF35
35 1/4" w x 17 1/2" d x 46 3/4" h
*2 shelves



42" x 42" x 1" Round top (4242TR) with
Old Mission single pedestal (OMTB) and
a Mission edge profile (EM)

Old Mission Table
Table-#OMTB 4242 TR EM

Base will accommodate tops in sizes 36" x 36" -
72" x 72". Max top size 72" with leaves installed.

Popular Sizes:

- #OMTB4242 42"
- #OMTB4848 48"
- #OMTB5454 54"
- #OMTB6060 60"

Choice of 12" or 16" leaf or 18" butterfly leaf
36" round tables are not
available with BBS slide upgrade

SALEM *collection*

COLLECTION FEATURES

- Round top is standard
- Mission edge is standard
- 1 3/8" smooth top is standard



SUGGESTED CHAIR

Richfield Side Chair

NC-9036SCW

19 1/2" w x 17 1/2" d x 41" h

Richfield Arm Chair

(not shown)

NC-9036ACW

26" w x 17 1/2" d x 41" h



Salem Table

#SLTBT 13842 TR EM

Table Height: 30 3/8"

Max top size 72" with leaves installed.

Popular Sizes:

#SLTBT13842 42"

#SLTBT13848 48"

#SLTBT13854 54"

#SLTBT13860 60"

Choice of 12" or 16" leaf

Shown in Brown Maple with
#30 Asbury finish.

36" round tables are not
available with BBS slide upgrade

SHERIDON *collection*

COLLECTION FEATURES

– Bevel edge standard

Conner Side Chair

19" w x 17" d x 41" h

#CRSCW Wood

#CRSCF Fabric

#CRSCL Leather

Conner Arm Chair

(not shown)

25" w x 17" d c 41" h

#CRACW Wood

#CRACF Fabric

#CRACL Leather



Sheridon Table

#SNTB 4272 TM EB

Max top size 120" with leaves installed.

Popular Sizes:

#SNTB4260 42" x 60"

#SNTB4266 42" x 66"

#SNTB4272 42" x 72"

#SNTB4872 48" x 72"

Choice of 12" or 16" leaf

Shown in Cherry wood with #52 Chilton finish.



SIMPLICITY *collection*

COLLECTION FEATURES

- Soft close slides
- Natural poplar drawer box with English Dovetail
- All wood species include Walnut accents

**Simplicity Side Chair
(with Inlays)**
#51-9065SCW

**Simplicity Side Chair
(without Inlays, not shown)**
#51-9065SCWNI

**Simplicity Arm Chair
(with Inlays, not shown)**
#51-9065ACW

**Simplicity Arm Chair
(without Inlays, not shown)**
#51-9065AWNI

Drawing from the streamlined looks and clean lines of mid-century modern design and the pared-down aesthetic of Scandinavian spaces, the Simplicity Collection is a contemporary interpretation of Shaker style re-imagined for today's more modern tastes. Smaller-scaled with an emphasis on flexibility, the collection is marked by angular posts and pilasters and functional open shelving that offers the fresh and airy feeling indicative of these serene, light-filled styles. Finished in a mellow Brown Maple stain coupled with tapered walnut bases, legs and contrasting walnut accents, these multi-functional dining room pieces easily move from one room to another depending on decorating needs.



Shown in Brown Maple with #99 Toffee

SIMPLICITY *collection*

CONTINUED...

**Simplicity
Solid Top Bench**
#51-36BEN

Popular Sizes:
#51-36BEN 36"
#51-48BEN 48"
#51-60BEN 60"
#51-72BEN 72"

**Simplicity
Expandable Bench**
#51-1401EXB



Simplicity Round
#51-8001 4242 TR EM

Max top size 72" with leaves installed.

Popular Sizes:
#51-80014242 42"
#51-80014848 48"
#51-80015454 54"
#51-80016060 60" Solid Top Only

Choice of 12" or 16" leaf
or 18" butterfly leaf

Top features 4 **Bowtie Inlays** located at
outside centers of table.
36" round tables are not available with
BBS slide upgrade



Simplicity Trestle
#51-8003 4272 TM EM

Max top size 120" with
leaves installed.

Popular Sizes:
#51-80034272 42" x 72"
#51-80034872 48" x 72"

Choice of 12" or 16" leaf

Top features **Bowtie Inlays**
in each corner and center.





Bowtie Inlays
featured on table



Simplicity Curio Cabinet
#51-1001
38" w x 15" d x 60" h
– Features Walnut base



Simplicity Server
#51-1101
56" w x 19" d x 36" h
– Features Walnut base



Tuscana Open Buffet
 #TAOBF
 60" w x 20" d x 40"
 *1 shelf per door



Topeka Table
 Table-#TATB 4242 TR ER

Base will accommodate tops in sizes 36" x 36" - 60" x 60". Max top size 66" with leaves installed.

Popular Sizes:

- #TATB3636 36"
- #TATB4242 42"
- #TATB4848 48"
- #TATB5454 54"
- #TATB6060 60" Solid Top Only

Choice of 12" or 16" leaf or 18" butterfly leaf

42" x 42" x 1" Round top (4242TR)
 with Topeka single pedestal (TATB)
 and a Roundover edge profile (ER)

TOPEKA *collection*

COLLECTION FEATURES

– Constructed with solid hardwoods

Buffet Features

- Soft-closing, full extension, undermount drawer slides
- Dovetailed, solid wood drawers
- Soft-close doors
- 1 shelf per door



Angola Desk Chair (Side)

#ALSCWSL

19" w x 16 1/2" d x 40" h



Shown in Oak with #33 Medium

WASILLA *collection*

COLLECTION FEATURES

– Mission edge standard

Kendall Side Chair
19" w x 18 5/8" d x 42" h
#KLSCW Wood
#KLSCF Fabric
#KL_SCL Leather

Kendall Arm Chair
25" w x 18 5/8" d x 42" h
#KLACW Wood
#KLACF Fabric
#KLACL Leather



Wasilla Bench
#WABEN36 36"
#WABEN48 48"
#WABEN60 60"
#WABEN72 72"

**Wasilla
Expandable Bench**
#WAEXB



Wasilla Table
#WATB4272TMEM

Max top size 120"
with leaves installed.

#WATB4260 42" x 60"
#WATB4266 42" x 66"
#WATB4272 42" x 72"
#WATB4872 48" x 72"

Choice of 12" or 16" leaf

Shown in Red Oak with
#100 Pebble finish.

WELLINGTON *collection*

COLLECTION FEATURES

- Constructed with solid hardwoods
- Plank-style top with saw marks

Table Features

- Top features 1 3/8" thick plank style top

Hutch & Buffet Features

- Soft-closing, full extension, undermount drawer slides
- Dovetailed, solid wood drawers
- 1" thick top
- 1 shelf in base
- No shelves in top
- Inset doors and drawers
- Recessed, touch lighting
- Raised panel doors

Americana Chair

#AASCW

19" w x 17 1/2" d x 38" h



See Features & Options section for expectations and details on plank tops.



Shown in Brown Maple with #32 Michaels Cherry with Distressing

WELLINGTON *Collection*

CONTINUED...



54" x 54" x 1 3/8" Planked Round top (5454P1TR) with Wellington single pedestal (WNTB) and a Mission edge profile (EM)

Wellington Table

Table-#WNTB 5454 TR EM
Table Height: 30 3/8"
Base will accommodate tops in sizes 36"x36"-72"x72". Max top size 72" with leaves installed.
36" round tables are not available with BBS slide upgrade

Popular Sizes:

- #WNTB4848P1 48"x 48"
- #WNTB5454P1 54"x 54"
- #WNTB6060P1 60"x 60" Solid Top Only

Choice 16" leaf

Wellington Hutch

#WNBFT
48"w x 20"d x 22"h

Wellington Buffet

#WNBFB
48"w x 20"d x 44"h



*1 shelf in base
*No shelves in top

Plank-style tops are standard



Wellington Trestle Table

Table-#WTTB 4272P1 TM EM
Table Height: 30 3/8"

Base will accommodate tops in sizes 36"x60"-72"x72". Max top size 120" with leaves installed.

Popular Sizes:

- #WTTB4272P1 42"x72"
- #WTTB4872P1 48"x72"

Choice of 16" leaf

42" x 72" x 1 3/8" Planked mission top (4272P1TM) with Wellington Double pedestal (WTTB) and a Mission edge profile (EM)

XANDER *Collection*

COLLECTION FEATURES

– Constructed with solid hardwoods



Beautiful live edge



Top shown in Brown Maple with #65 Chocolate
Base Shown in Brown Maple with #44 Black

XANDER *collection*

CONTINUED...



Xander Arm Chair
#XRACW
25 3/4" w x 17 1/4" d x 42 1/4" h



Xander Side Chair
#XRSCW
19" w x 17 1/4" d x 42 1/4" h



Xander Table
Table-#XRTB 4296LE TM
Table Height: 30 3/8"

Base will accommodate tops in sizes 36" x 60" - 72" x 72". Max top size 120" with leaves installed.

Popular Sizes:

- #XRTB4272LE 42" x 72" Solid Top Only
- #XRTB4284LE 42" x 84" Solid Top Only
- #XRTB4296LE 42" x 96" Solid Top Only
- #XRTB4872LE 48" x 72" Solid Top Only
- #XRTB4884LE 48" x 84" Solid Top Only
- #XRTB4896LE 48" x 96" Solid Top Only

42" x 96" x 1 3/8" Live Edge mission shape top (4296LE TM) with Xander double pedestal (XRTB) and a live edge profile

ZIGLAR *collection*

COLLECTION FEATURES

- Available in 42", 48", 54", 60", and 72" diameter
- 72" round solid top available no leaves
- Standard top thickness is 1 3/8"
- Standard edge profile is 3/4" roundover
- Standard shape is round



SUGGESTED CHAIR

Asher Side Chair

19 1/4" w x 17 1/4" d x 41" h

#AASCW Wood

#AASCF Fabric

#AASCL Leather

SUGGESTED CHAIR

Richfield Side Chair

#NC-9036SCW

19 1/2" w x 17 1/2" d x 41" h



**Not available with BBS slides due to base style – only on split pedestal*



Shown in Brown Maple with #30 Asbury finish

ZIGLAR *collection*

CONTINUED...



Ziglar Split Pedestal Table

#ZRSTB 4848 T1387 TR ER

Table Height: 30 3/8"

Popular Sizes:

#ZRSTBT1384242 42"

Max top size 126" with leaves.

#ZRSTBT1384848 48"

Max top size 192" with leaves.

Choice of 12" or 16" leaves

*No BBS slides available



Ziglar Table

#ZRTB 5454 T138 TR ER

Table Height: 30 3/8"

Max top size 72" with leaves installed.

Popular Sizes:

#ZRTBT1384242 42"

#ZRTBT1384848 48"

#ZRTBT1385454 54"

#ZRTBT1386060 60"

#ZRTBT1387272 72" Solid Top Only

Choice of 12" or 16" leaf

36" round tables are not available with BBS slide upgrade

DINING *accessories*

LAZY SUSAN

COLLECTION FEATURES

- 1" thick solid wood top
- Ball bearing swivel

A rotating tray to place on a table or countertop to help organize your kitchen or dining room.

30" Lazy Susan

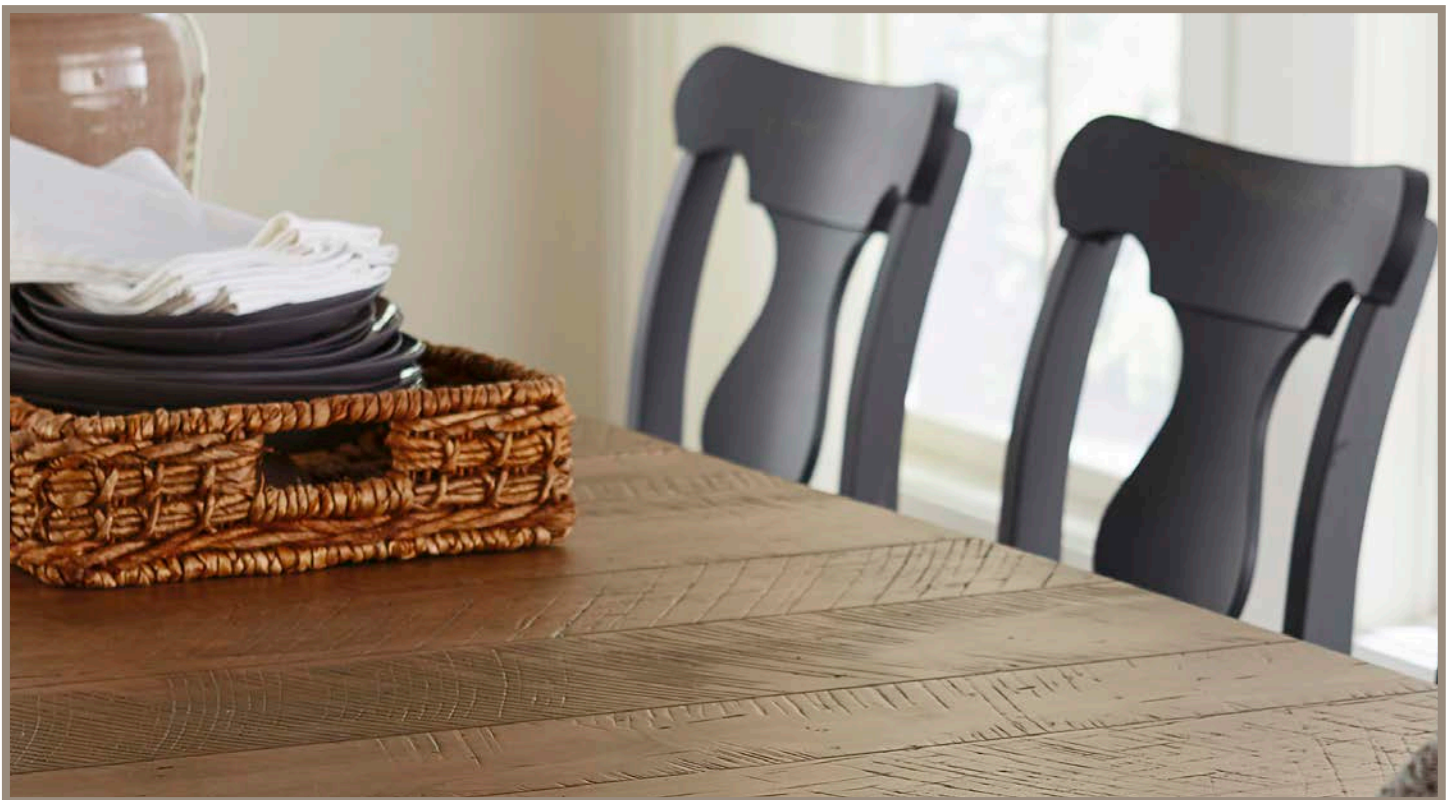
#LS30
30" Round

24" Lazy Susan

#LS24
24" Round



Shown in Brown Maple with #30 Asbury finish





SEATING OPTIONS

Have a seat, sit a spell, chat, relax, reminisce. Share stories of the past. Celebrate the present. Dream of a bright future. Seating by Fusion Designs will be there through it all, from generation to generation, providing comfort, durability, and lasting impressions.

**MEMORIES
BUILT TO LAST
AND SHARE.**

CHAIRS



AMERICANA CHAIR

Side Chair

- 19" w x 17 1/2" d x 38" h
- Wood #AASCW
- Fabric #AASCF
- Leather #AASCL

Arm Chair

- 25" w x 17 1/2" d x 38" h
- Wood #AAACW
- Fabric #AAACF
- Leather #AAACL

Desk Chair

- 25 1/2" w x 17 1/2" d x 38" h



ANGOLA CHAIR

Side Chair

- 19" w x 16 1/2" d x 40" h
- Wood #ALSCW

Arm Chair

- 25" w x 16 1/2" d x 40" h
- Wood #ALACW

Desk Chair

- 25" w x 16 1/2" d x 40" h

*Not available in two tone finish



ARABELLA CHAIR

Side Chair

- 18 3/4" w x 17" d x 32 1/4" h
- Wood #ARSCW
- Fabric #ARSCF
- Leather #ARSCS



ASHER CHAIR

Side Chair

- 19 1/4" w x 17 1/4" d x 41" h
- Wood #ASSCW
- Fabric #ASSCF
- Leather #ASSCL

Arm Chair

- 23 1/2" w x 17 1/4" d x 41" h
- Wood #ASACW
- Fabric #ASACF
- Leather #ASACL



BARTLETT CHAIR

Side Chair

- 19 1/4" w x 17" d x 38 1/4" h
- Wood #BRSCW
- Fabric #BRSCF
- Leather #BRSCS

Arm Chair

- 24" w x 17" d x 38 1/4" h
- Wood #BRACW
- Fabric #BRACF
- Leather #BRACL



BEACON HILL CHAIR

Side Chair

- 18 1/2" w x 16 1/2" d x 38" h
- Fabric #BHSC
- Leather #BHSCS

Arm Chair

- 25 1/2" w x 16 1/2" d x 38" h
- Fabric #BHAC
- Leather #BHACL



#F



#P



#Z

Add to item number the following trim options:
 (#F) French Natural
 (#P) Pewter Nickel
 (#Z) Z Finish
 (standard if not specified)



BEACON HILL SLAT CHAIR

Side Chair

- 19" w x 16 1/2" d x 37 1/2" h
- Wood :#BHSSC
- Fabric #BHSSCF
- Leather #BHSSCL

Arm Chair

- 19" w x 16 1/2" d x 37 1/2" h
- Wood #BHSAC
- Fabric #BHSACF
- Leather #BHSACL



BRIDGEPORT CHAIR

Side Chair

17" w x 16 1/2" d x 37 1/2" h
 – Wood #BTSCW

*Not available in two tone finish



CASPIAN CHAIR

Side Chair

19" w x 17" d x 39" h
 – Fabric #CPSCF
 – Leather #CPSCL

Arm Chair

24" w x 17" d x 39" h
 – Fabric #CPACF
 – Leather #CPACL

*Not available in stationary bar chairs, only swivel



CELINA CHAIR

Side Chair

19" w x 17" d x 39" h
 – Fabric #CLSCF
 – Leather #CLSCL

Arm Chair

20" w x 17" d x 39" h
 – Fabric #CLACF
 – Leather #CLACL

*Not available in stationary bar chairs, only swivel



CLASSIC CHAIR

Side Chair

18" w x 17 3/4" d x 42" h
 – Wood #CCSCW
 – Fabric #CCSCF
 – Leather #CCSCL

Arm Chair

25 1/2" w x 17 3/4" d x 42" h
 – Wood #CCACW
 – Fabric #CCACF
 – Leather #CCACL

Desk Chair

25 1/2" w x 17 3/4" d x 42" h



CONNER CHAIR

Side Chair

19" w x 17" d x 41" h
 – Wood #CRSCW
 – Fabric #CRSCF
 – Leather #CRSCL

Arm Chair

25" w x 17" d x 41" h
 – Wood #CRACW
 – Fabric #CRACF
 – Leather #CRACL



DURHAM CHAIR

Side Chair

17 3/8" w x 17" d x 37 1/4" h
 – Wood #DMSCW
 – Fabric #DMSCF
 – Leather #DMSCL

Arm Chair

23 3/8" w x 17" d x 37 1/4" h
 – Wood #DMACW
 – Fabric #DMACF
 – Leather #DMACL



EDMONTON CHAIR

Side Chair

18" w x 17" d x 38" h
 – Wood #ENSCW

Arm Chair

22 1/2" w x 17" d x 38" h
 – Wood #ENACW

*Not available in two tone finish



ELARA CHAIR

Side Chair

18 1/2" w x 16 3/4" d x 38" h
 – Fabric #EASC
 – Leather #EASCL

CHAIRS



ELLINGTON CHAIR

Side Chair

- 18 1/2" w x 17" d x 41" h
- Wood #ELSCW
- Fabric #ELSCF
- Leather #ELSCL

Arm Chair

- 26 1/2" w x 17" d x 41" h
- Wood #ELACW
- Fabric #ELACF
- Leather #ELACL



GIBSON CHAIR

Side Chair

- 19" w x 17 1/2" d x 38" h
- Wood #GBSCW
- Fabric #GBSCF
- Leather #GBSCL

Arm Chair

- 22" w x 17 1/2" d x 38" h
- Wood #GBACW
- Fabric #GBACF
- Leather #GBACL



HATFIELD CHAIR

Side Chair

- 18 1/2" w x 16 1/2" d x 37 1/2" h
- Wood #HASCW
- Fabric #HASCF
- Leather #HASCL

Arm Chair

- 25" w x 16 1/2" d x 37 1/2" h
- Wood #HAACW
- Fabric #HAACF
- Leather #HAACL



HAYWORTH CHAIR

Side Chair

- 18" w x 18" d x 43" h
- Wood #HHSCW
- Fabric #HHSCF
- Leather #HHSCL

Arm Chair

- 26" w x 18" d x 43" h
- Wood #HHACW
- Fabric #HHACF
- Leather #HHACL



HAYWORTH HIGHBACK CHAIR

Side Chair

- 19" w x 18" d x 49" h
- Wood #HHHSCW
- Fabric #HHHSCF
- Leather #HHHSCL

Arm Chair

- 26" w x 18" d x 49" h
- Wood #HHHACW
- Fabric #HHHACF
- Leather #HHHACL



HENNING CHAIR

Side Chair

- 18 1/2" w x 17 1/2" d x 32" h
- Wood #HGSCW
- Fabric #HGSCF
- Leather #HGSCL



INFINITY CHAIR

Side Chair

- 16 1/2" w x 16" d x 33 3/4" h
- Wood #IYSCW
- Fabric #IYSCF
- Leather #IYSCL



JAMESON CHAIR

Side Chair

- 17" w x 16 3/4" d x 39 1/2" h
- Wood Seat #JNSCW
- Fabric Seat #JNSCF
- Leather Seat #JNSCL



"STOCK
ITEMS
READY FOR
IMMEDIATE
SHIPPING"

KENDALL CHAIR

Side Chair

19" w x 18 5/8" d x 42" h
 – Wood #KLSCW
 – Fabric #KLSCF
 – Leather #KLSCL

Arm Chair

25" w x 18 5/8" d x 42" h
 – Wood #KLACW
 – Fabric #KLACF
 – Leather #KLACL



"STOCK
ITEMS
READY FOR
IMMEDIATE
SHIPPING"

KENNEBEC CHAIR

Side Chair

19 1/2" w x 19" d x 42" h
 – Wood #KCSCW
 – Fabric #KCSCF
 – Leather #KCSCSCL

Arm Chair

25" w x 19" d x 42" h
 – Wood #KCACW
 – Fabric #KCACF
 – Leather #KCACL

Desk Chair

25" w x 19" d x 42" h



LIVONIA CHANNEL BACK DESK CHAIR

25" w x 20" d x 37" h
 – Fabric #LVACCF
 – Leather #LVACCL



LIVONIA DESK CHAIR

25" w x 20" d x 37" h
 – Fabric #LVACF
 – Leather #LVACL



Optional Base:
 Caswell Gas Lift Base (#CGL)



MADRID CHAIR

Side Chair

19 1/2" w x 18" d x 35" h
 – Fabric #MDSCF
 – Leather #MDSCL

*Not available as swivel
 bar chairs



MORGAN CHAIR

Side Chair

19 1/4" w x 17" d x 34" h
 – Wood #MNSCW
 – Fabric #MNSCF
 – Leather #MNSCL

Arm Chair

24 1/2" w x 17" d x 34" h
 – Wood #MNACW
 – Fabric #MNACF
 – Leather #MNAACL



OLD MISSION CHAIR

Side Chair

18" w x 17" d x 38" h
 – Wood #OMSCW
 – Fabric #OMSCF
 – Leather #OMSCL

Arm Chair

25" w x 18" d x 38" h
 – Wood #OMACW
 – Fabric #OMACF
 – Leather #OMAACL



"STOCK
ITEMS
READY FOR
IMMEDIATE
SHIPPING"

RICHFIELD CHAIR

Side Chair

19 1/2" w x 17 1/2" d x 41" h
 – Wood #NC-9036SCW
 – Fabric #NC-9036SCF
 – Leather #NC-9036SCL

Arm Chair

26" w x 17 1/2" d x 41" h
 – Wood #NC-9036ACW
 – Fabric #NC-9036ACF
 – Leather #NC-9036ACL

CHAIRS



SEDONA CHAIR

Side Chair

- 19" w x 17" d x 38" h
- Wood #SASCW
- Fabric #SASCF
- Leather #SASCL

Arm Chair

- 25" w x 18" d x 41" h
- Wood #SAACW
- Fabric #SAACF
- Leather #SAACL

Desk Chair

- 25" w x 18" d x 41" h



SIMPLICITY CHAIR

Side Chair (with Inlays)

- 19" w x 24" d x 42" h
- Wood #51-9065SCW
- Fabric #51-9065SCF
- Leather #51-9065SCL

Side Chair (without Inlays)

- 19" w x 24" d x 42" h
- Wood #51-9065SCWNI
- Fabric #51-9065SCFNI
- Leather #51-9065SCLNI

Arm Chair (with Inlays)

- 23" w x 24" d x 42" h
- Wood #51-9065ACW
- Fabric #51-9065ACF
- Leather #51-9065ACL

Arm Chair (without Inlays)

- 23" w x 24" d x 42" h
- Wood #51-9065ACWNI
- Fabric #51-9065ACFNI
- Leather #51-9065ACLNI



XANDER CHAIR

Side Chair

- 19" w x 17 1/4" d x 42 1/4" h
- Wood #XRSCW
- Fabric #XRSCF
- Leather #XRSCCL

Arm Chair

- 25 3/4" w x 17 1/4" d x 42 1/4" h
- Wood #XRACW
- Fabric #XRACF
- Leather #XRACL



BARSTOOLS



AMERICANA BAR CHAIR

Seat Height 24" Stationary
 19"w x 17 1/2"d x 42"h
 – Wood-#AASCW24B
 – Leather-#AASCW24BL
 – Fabric-#AASCW24BF

Seat Height 30" Stationary
 19"w x 17 1/2"d x 48"h
 – Wood-#AASCW30B
 – Leather-#AASCW30BL
 – Fabric-#AASCW30BF



AMERICANA SWIVEL BAR CHAIR

Seat Height 24" Swivel
 19"w x 17 1/2"d x 42"h
 – Wood-#AASCW24WB
 – Leather-#AASCW24WBL
 – Fabric-#AASCW24WBF

Seat Height 30" Swivel
 19"w x 17 1/2"d x 48"h
 – Wood-#AASCW30WB
 – Leather-#AASCW30WBL
 – Fabric-#AASCW30WBF



CAPE COD BAR CHAIR W/ BACK

Seat Height 24" Stationary
 25"w x 18"d x 40"h
 – Wood #CDBSW
 – Leather #CDBSL
 – Fabric #CDBSF

Seat Height 30" Stationary
 25"w x 18"d x 46"h
 – Wood #CD30BSW
 – Leather #CD30BSL
 – Fabric #CD30BSF

– NO KICKPLATE AVAILABLE –



CAPE COD SWIVEL BAR CHAIR W/ BACK

Seat Height 24" Swivel (Seat only)
 25"w x 18"d x 40"h
 – Wood #CD24BSWW
 – Fabric #CD24BSWF
 – Leather #CD24BSWL

Seat Height 30" Swivel (Seat only)
 25"w x 18"d x 46"h
 – Wood #CD30BSWW
 – Fabric #CD30BSWF
 – Leather #CD30BSWL

– NO KICKPLATE AVAILABLE –

OPEN CAPE COD SWIVEL BAR CHAIR

Seat Height 24" Swivel (Seat only)
 25"w x 18"d x 40"h
 – Wood #OD24BSWW
 – Fabric #OD24BSWF
 – Leather #OD24BSWL

Seat Height 30" Swivel (Seat only)
 25"w x 18"d x 46"h
 – Wood #OD30BSWW
 – Fabric #OD30BSWF
 – Leather #OD30BSWL

– NO KICKPLATE AVAILABLE –



CLAREMONT BAR CHAIR

Seat Height 24" Stationary
 18"w x 16"d x 24"h
 – Leather-#CT24WL
 – Fabric-#CT24WF

Seat Height 30" Stationary
 18"w x 16"d x 30"h
 – Leather-#CT30WL
 – Fabric-#CT30WF



BARSTOOLS



CLASSIC BAR CHAIR

Seat Height 24" Stationary
 17 3/4" w x 16 1/2" d x 42 1/2" h
 – Wood-#CCSCW24B
 – Leather-#CCSCW24BL
 – Fabric-#CCSCW24BF

Seat Height 30" Stationary
 17 3/4" w x 16 1/2" d x 48 1/2" h
 – Wood-#CCSCW30B
 – Leather-#CCSCW30BL
 – Fabric-#CCSCW30BF



CLASSIC SWIVEL BAR CHAIR

Seat Height 24" Swivel
 17 3/4" w x 16 1/2" d x 42 1/2" h
 – Wood-#CCSCW24WB
 – Leather-#CCSCW24WBL
 – Fabric-#CCSCW24WBF

Seat Height 30" Swivel
 17 3/4" w x 16 1/2" d x 48 1/2" h
 – Wood-#CCSCW30WB
 – Leather-#CCSCW30WBL
 – Fabric-#CCSCW30WBF



EDAN BAR CHAIR

Seat Height 24" Stationary
 17" w x 16" d x 34" h
 – Leather-#EN24WL
 – Fabric-#EN24WF

Seat Height 30" Stationary
 17" w x 16" d x 40" h
 – Leather-#EN30WL
 – Fabric-#EN30WF



ELARA BAR CHAIR

Seat Height 24" Stationary
 18 1/2" x 16 3/4" x 44"
 – Leather-#EASCW24BL
 – Fabric-#EASCW24BF

Seat Height 30" Stationary
 18 1/2" x 16 3/4" x 50"
 – Leather-#EASCW30BL
 – Fabric-#EASCW30BF

*Only available in stationary, not swivel



HATFIELD BAR CHAIR

Seat Height 24" Stationary
 18 1/2" w x 17" d x 42" h
 – Wood-#HASCW24B
 – Leather-#HASCW24BL
 – Fabric-#HASCW24BFL

Seat Height 30" Stationary
 18 1/2" w x 17" d x 48" h
 – Wood-#HASCW30B
 – Leather-#HASCW30BL
 – Fabric-#HASCW30BF

Seat Height 24" Swivel
 – Wood-#HASCW24WB
 – Leather-#HASCW24WBL
 – Fabric-#HASCW24WBF

Seat Height 30" Swivel
 – Wood-#HASCW30WB
 – Leather-#HASCW30WBL
 – Fabric-#HASCW30WBF

(Swivel photo not available)



HAYWORTH BAR CHAIR

Seat Height 24" Stationary

- 18" w x 16 3/4" d x 43 1/2" h
- Wood-#HHSCW24B
- Leather-#HHSCW24BL
- Fabric-#HHSCW24BF

Seat Height 30" Stationary

- 18" w x 16 3/4" d x 49 1/2" h
- Wood-#HHSCW30B
- Leather-#HHSCW30BL
- Fabric-#HHSCW30BF



INFINITY BAR CHAIR

Seat Height 24" Stationary

- 17" w x 16" d x 37 1/2" h
- Wood-#IYSCW24B
- Leather-#IYSCW24BL
- Fabric-#IYSCW24BF

Seat Height 30" Stationary

- 17" w x 16" d x 43 1/2" h
- Wood-#IYSCW30B
- Leather-#IYSCW30BL
- Fabric-#IYSCW30BF



KENNEBEC BAR CHAIR

Seat Height 24" Stationary

- 19 1/2" w x 19" d x 43" h
- Wood-#KCSCW24B
- Leather-#KCSCW24BL
- Fabric-#KCSCW24BF

Seat Height 30" Stationary

- 19 1/2" w x 19" d x 49" h
- Wood-#KCSCW30B
- Leather-#KCSCW30BL
- Fabric-#KCSCW30BF



LIVONIA SWIVEL BAR CHAIR

Seat Height 24" Swivel

- 24" w x 17" d x 41" h
- Leather-#LVACFL24B
- Fabric-#LVACF24BF

Seat Height 30" Swivel

- 24" w x 17" d x 47" h
- Leather-#LVACFL30B
- Fabric-#LVACF30B

- NO KICKPLATE AVAILABLE -



OLD MISSION BAR CHAIR

Seat Height 24" Stationary

- 18 1/2" w x 17 1/2" d x 42 1/2" h
- Wood-#OMSCW24B
- Leather-#OMSCW24BL
- Fabric-#OMSCW24BF

Seat Height 30" Stationary

- 18 1/2" w x 17 1/2" d x 48 1/2" h
- Wood-#OMSCW30B
- Leather-#OMSCW30BL
- Fabric-#OMSCW30BF



OLD MISSION SWIVEL BAR CHAIR

Seat Height 24" Swivel

- 18 1/2" w x 17 1/2" d x 42 1/2" h
- Wood-#OMSCW24WB
- Leather-#OMSCW24WBL
- Fabric-#OMSCW24WBF

Seat Height 30" Swivel

- 18 1/2" w x 17 1/2" d x 48 1/2" h
- Wood-#OMSCW30WB
- Leather-#OMSCW30WBL
- Fabric-#OMSCW30WBF

BARSTOOLS

SADDLE SWIVEL BAR STOOL



Seat Height 24" Swivel
22" w x 13 1/2" d x 24" h
– Wood #SD24WW

Seat Height 30" Swivel
22" w x 13 1/2" d x 30" h
– Wood #SD30WW

– NO KICKPLATE AVAILABLE –

SADDLE BAR STOOL



Seat Height 24" Stationary
22" w x 13 1/2" d x 24" h
– Wood #SD24TW

Seat Height 30" Stationary
22" w x 13 1/2" d x 30" h
– Wood #SD30TW

– NO KICKPLATE AVAILABLE –

SAGAMORE SWIVEL BAR CHAIR



Seat Height 24" Swivel
19" w x 19" d x 24" h
– Wood-#SE24WW
– Leather-#SE24WWL
– Fabric-#SE24WWF

Seat Height 30" Swivel
19" w x 19" d x 30" h
– Wood-#SE30WW
– Leather-#SE30WWL
– Fabric-#SE30WWF

– STANDARD WITH KICKPLATE –

CUSHION & TRIM OPTIONS



Box Cushion (#BC)
French Natural Brass
Trim (#FN)



Nickel trim is standard

Sagamore Swivel
Bar Chair shown
w/ **Optional Box**
Cushion (#BC)

SEDONA BAR CHAIR



Seat Height 24" Stationary
19" w x 17" d x 42" h
– Wood-#SASCW24B
– Leather-#SASCW24BL
– Fabric-#SASCW24BF

Seat Height 30" Stationary
19" w x 17" d x 48" h
– Wood-#SASCW30B
– Leather-#SASCW30BL
– Fabric-#SASCW30BF



Protective Stretcher Cover (#PC)
Protective cover available in Black and
Brushed Stainless. Covers are available
on bar chairs only.

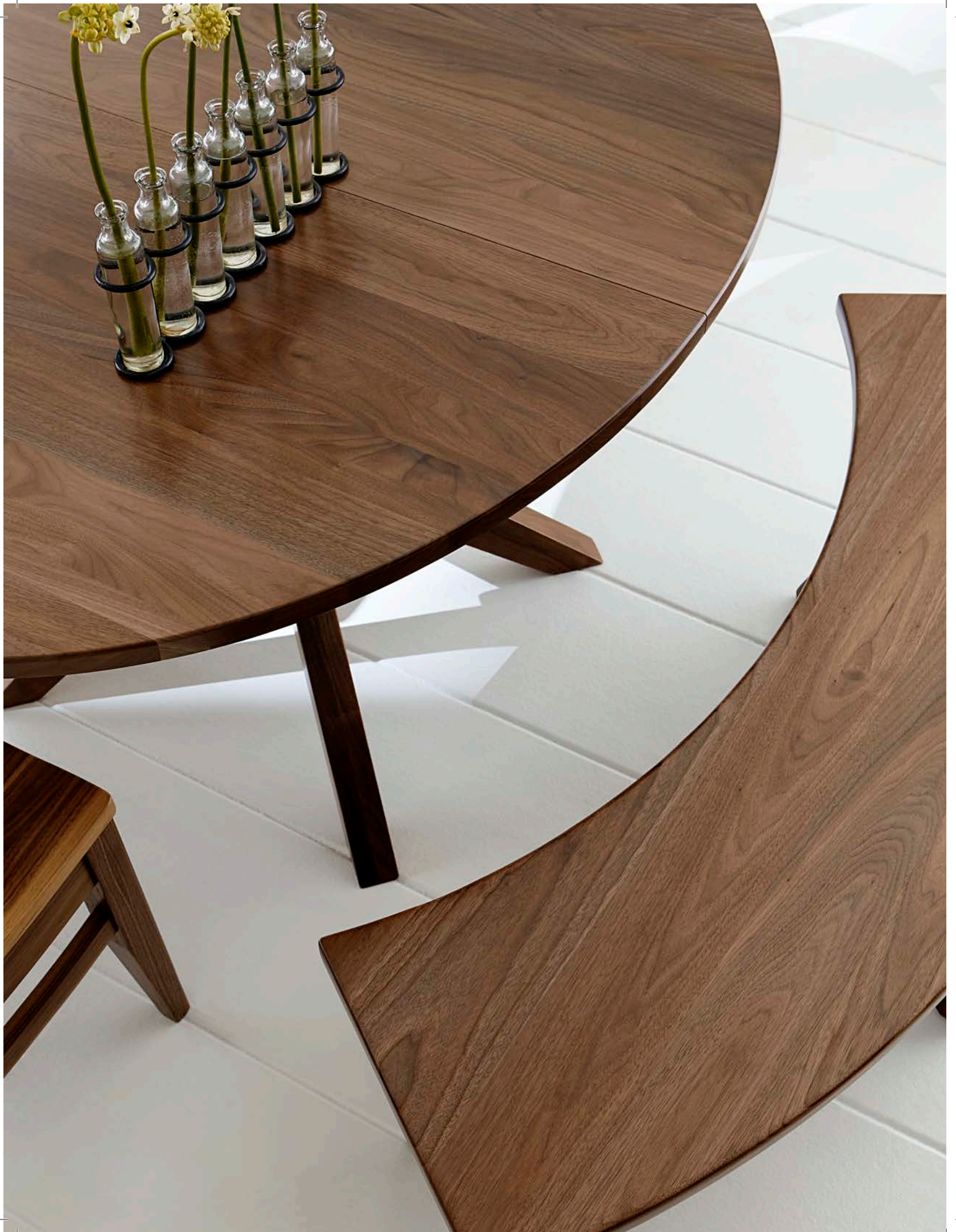
CHAIR DIMENSIONS

Style	Side Chair Seating Area W x D	Arm Chair Seating Area W x D	Overall Arm Width	Arm Height	Seat Height	Back Height From Seat	Back Height From Floor
Americana	19 x 17 ½	19 x 17 ½	25	7 ¾	18	20 ¾	38
24" Barstool	19 x 17 ½	-	-	-	24	18 ¾	42
30" Barstool	19 x 17 ½	-	-	-	30	18 ¾	48
Angola	18 x 16 ½	20 x 16 ½	25	8	17 ½	25	40 ½
24" Barstool	18 x 16 ½	-	-	-	24	25	46 ½
30" Barstool	18 x 16 ½	-	-	-	30	25	52 ½
Arabella	18 ¾ x 17	-	-	-	18	18 ½	35 ¼
24" Barstool	18 ¾ x 17	-	-	-	24	18 ½	41 ½
30" Barstool	18 ¾ x 17	-	-	-	30	18 ½	48 ½
Asher	19 ¼ x 17 ¼	19 ¼ x 17 ¼	23 ½	8	18	24 ½	41
24" Barstool	19 ¼ x 17 ¼	-	-	-	24	24 ½	47
30" Barstool	19 ¼ x 17 ¼	-	-	-	30	24 ½	53
Ashton 36" Bench	17 X 36	-	-	-	19	-	-
Ashton 48" Bench	17 X 48	-	-	-	19	-	-
Ashton 60" Bench	17 X 60	-	-	-	19	-	-
Ashton 72" Bench	17 X 72	-	-	-	19	-	-
Bartlett	19 ¼ x 17	19 ¼ x 17	24	8 ¼	17 ½	22 ½	38 ¼
24" Barstool	20 ¼ x 17	-	-	-	17 ½	22 ½	44 ¼
30" Barstool	21 ¼ x 17	-	-	-	17 ½	22 ½	50 ¼
Beacon Hill Slat	19 x 16 ½	19 x 16 ½	24	7 ½	18	20 ½	37 ½
24" Barstool	19 x 16 ½	19 x 16 ½	24	7 ½	24	20 ½	43 ½
30" Barstool	19 x 16 ½	19 x 16 ½	24	7 ½	30	20 ½	49 ½
Beacon Hill	18 ½ x 16 ½	18 ½ x 16 ½	25 ½	7 ½	18	20 ½	38
24" Barstool	18 ½ x 16 ½	18 ½ x 16 ½	25 ½	7 ½	24	20 ½	44
30" Barstool	18 ½ x 16 ½	18 ½ x 16 ½	25 ½	7 ½	30	20 ½	50
Bridgeport	17 ¼ x 16	-	-	-	17 ¼	22 ½	38
24" Capecod with back	16 ½ x 16 ½	-	-	-	24	16	40
30" Capecod with back	16 ½ x 16 ½	-	-	-	30	16	46
Caspian	19 x 17	20 x 17	24	25	19	20	39
Claremont	-	-	-	-	-	-	-
24" Barstool	14 x 18	-	-	-	24	-	-
30" Barstool	14 x 18	-	-	-	30	-	-
Classic	17 ¾ x 16 ½	17 ¾ x 16 ½	25 ½	7 ¾	18	25 ½	42
24" Barstool	17 ¾ x 16 ½	-	-	-	24	19 ¼	42 ½
30" Barstool	17 ¾ x 16 ½	-	-	-	30	19 ¼	48 ½

CHAIR DIMENSIONS

Style	Side Chair Seating Area W x D	Arm Chair Seating Area W x D	Overall Arm Width	Arm Height	Seat Height	Back Height From Seat	Back Height From Floor
Conner	19 x 17	19 x 17	25	7 ¾	18	25 ½	41
24" Barstool	19 x 17	-	-	-	24	25 ½	42
30" Barstool	19 x 17	-	-	-	30	25 ½	48
Durham	17 3/8 x 17	17 3/8 x 17	23 ½	7 ¾	17 ½	21 ¼	37 ¼
24" Barstool	17 3/8 x 17	-	-	-	24	21 ¼	43 ¼
30" Barstool	17 3/8 x 17	-	-	-	30	21 ¼	49 ¼
Edmonton	17 ¼ x 17 ½	18 ½ x 17 ½	25	8	18	22	39 ½
24" Barstool	18 ¼ x 17 ½	-	-	-	24	22	45 ½
30" Barstool	19 ¼ x 17 ½	-	-	-	30	22	51 ½
Edan	-	-	-	-	-	-	-
24" Barstool	16 ¼ x 16	-	-	-	24	10	34
30" Barstool	16 ¼ x 16	-	-	-	30	10	40
Elara	18 ½ x 16 ¾	-	-	-	18	19	38
24" Barstool	18 ½ x 16 ¾	-	-	-	24	19	44
30" Barstool	18 ½ x 16 ¾	-	-	-	30	19	50
Ellington	18 ½ x 17	18 ½ x 17	26 ½	7 ¾	17 ½	21 ¼	41
24" Barstool	18 ½ x 17	-	-	-	24	21 ¼	44
30" Barstool	18 ½ x 17	-	-	-	30	21 ¼	50
Gibson	19 x 17 ½	19 x 17 ½	22	7 ½	17 ½	22	38
24" Barstool	20 x 17 ½	-	-	-	24	22	44
30" Barstool	21 x 17 ½	-	-	-	30	22	50
Hatfield	18 ½ x 17	18 ½ x 17	23 ½	7 ¾	17 ½	21 ¼	38
24" Barstool	18 ½ x 17	-	-	-	24	19	42
30" Barstool	18 ½ x 17	-	-	-	30	19	48
Hayworth	18 x 16 ¾	18 x 16 ¾	25	7 ¾	18	26 ¾	43 ¼
24" Barstool	18 x 16 ¾	-	-	-	24	20 ¼	43 ½
30" Barstool	18 x 16 ¾	-	-	-	30	20 ¼	49 ½
Hayworth Highback	18 x 16 ¾	18 x 16 ¾	25	7 ¾	18	32 ¾	49
Hayworth 36" Bench	36 x 16 ¾	36 x 16 ¾	43	7 ¾	18	26 ¾	43 ¼
Hayworth 48" Bench	48 x 16 ¾	48 x 16 ¾	55	7 ¾	18	26 ¾	43 ¼
Infinity	17 ¾ x 15 ¾	-	-	-	17 ½	16	33 ½
24" Barstool	17 x 16	-	-	-	24	13 ½	37 ½
30" Barstool	17 x 16	-	-	-	30	13 ½	43 ½
Jameson	17 x 16 ¾	-	-	-	17 ½	23	39 ½

Style	Side Chair Seating Area W x D	Arm Chair Seating Area W x D	Overall Arm Width	Arm Height	Seat Height	Back Height From Seat	Back Height From Floor
Kendall	19 x 18 5/8	19 x 18 5/8	25	7 3/4	18	24 1/2	42
24" Barstool	19 x 18 5/8	-	-	-	24	24 1/2	44
30" Barstool	19 x 18 5/8	-	-	-	30	24 1/2	50
Kennebec	18 3/4 x 18 1/2	18 3/4 x 18 1/2	25	7 3/4	18	24 1/2	42
24" Barstool	18 3/4 x 18 1/2	-	-	-	24	19 1/2	48
30" Barstool	18 3/4 x 18 1/2	-	-	-	30	19 1/2	54
Livonia	-	20 1/2 x 20 1/2	25 1/2	25 1/2 – 30 1/2	19 – 24	19	36 – 41
24" Barstool	-	19 1/2 x 17	24 1/4	32 1/4	24	18	42
30" Barstool	-	19 1/2 x 17	24 1/4	38 1/4	30	18	48
Madrid	19 1/2 x 18	-	-	-	18	17 1/2	35
Morgan	19 1/4 x 17	19 1/4 x 17	24 1/2	7 1/4	18	16	34
Old Mission	18 1/2 x 17 1/2	18 1/2 x 17 1/2	25 1/4	25 3/4	17 1/4	21 1/2	38 1/2
24" Barstool	18 1/2 x 17 1/2	-	-	-	24	18 1/2	42 1/2
30" Barstool	18 1/2 x 17 1/2	-	-	-	30	18	48 1/2
24" Open Capecod (without back)	16 1/2 x 16 1/2	-	-	-	24	-	-
30" Open Capecod (without back)	16 1/2 x 16 1/2	-	-	-	30	-	-
Richfield	19 1/2 x 17 1/2	19 1/2 x 17 1/2	26	7 3/4	18	23 1/2	41
Saddle Bar Chair	-	-	-	-	-	-	-
24" Barstool	22 x 13 1/2	-	-	-	24	-	-
30" Barstool	22 x 13 1/2	-	-	-	30	-	-
Sagamore 24" Swivel Barstool	16 1/2 x 16 1/2	-	-	-	24	-	-
Sagamore 30" Swivel Barstool	16 1/2 x 16 1/2	-	-	-	30	-	-
Sedona	19 1/4 x 17	19 1/4 x 17	25	7 3/4	17 1/2	22	38
24" Barstool	19 1/4 x 17	-	-	-	24	19 1/2	42
30" Barstool	19 1/4 x 17	-	-	-	30	19 1/2	48
Simplicity	19 x 24	19 x 24	25 1/4	7 3/4	18	24 1/2	42
Xander	19 1/4 x 17 1/4	19 1/4 x 17 1/4	25 3/4	7 1/2	18	25 1/2	42 1/4
24" Barstool	20 1/4 x 17 1/4	-	-	-	24	25 1/2	48 1/4
30" Barstool	21 1/4 x 17 1/4	-	-	-	30	25 1/2	54 1/4



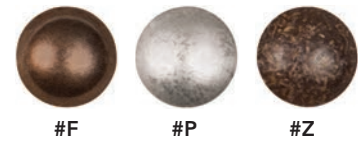
BENCHES



Ashton Bench

17" d x 19" h
 Fabric, 36" w #ANBEN36F
 Fabric, 48" w #ANBEN48F
 Fabric, 60" w #ANBEN60F
 Fabric, 72" w #ANBEN72F
 Leather, 36" w #ANBEN36L
 Leather, 48" w #ANBEN48L
 Leather, 60" w #ANBEN60L
 Leather, 72" w #ANBEN72L

Choice of nail finish,
 specify when ordering.



Add to item number to the following trim options:

(#F) French Natural
 (#P) Pewter Nickel
 (#Z) Z Finish

Caspian Expandable Bench

#CPEXB
 48" - 96" w x 13" d x 18" h

Caspian Bench (not shown)

13" d x 18" h
 36" w #CPBEN36
 48" w #CPBEN48
 60" w #CPBEN60
 72" w #CPBEN72



Features Plank Style Top



Elliot Bench

#ETBEN36 36"
 #ETBEN48 48"
 #ETBEN60 60"
 #ETBEN72 72"

Elliot Expanda Bench

#ETEXB

Fulton Bench

#FNBEN36 36"
 #FNBEN48 48"
 #FNBEN60 60"
 #FNBEN72 72"

Fulton Expandable Bench

#FNEXB



BENCHES



Leg Bench
Options L to R
Specify leg style by
adding selected
Leg SKU to end of
Bench SKU

- #L1 Brookline
- #L4 Hoosier
- #L9 Round Shaker
- #L10 Classic Shaker



Leg Bench has leg style option

Leg Bench
13" d x 18" h
36" w #LBEN36L10
48" w #LBEN48L10
60" w #LBEN60L10
72" w #LBEN72L10

**Leg Expandable
Bench (not shown)**
#LEXB
48" -96" w x 13" d x 18" h



**Gibson
Expandable Bench**
#GBEXB
48" -96" w x 13" d x 18" h

Gibson Bench
13" d x 18" h
36" w #GBBEN36
48" w #GBBEN48
60" w #GBBEN60
72" w #GBBEN72



Henning Bench
#HGBEN54
54" w x 16" d x 18" h



Hayworth Bench
13" d x 18" h
36" w #HHBEN36
48" w #HHBEN48
60" w #HHBEN60
72" w #HHBEN72



**Mission Bench
(not shown)**
13" d x 18" h
36" w #MNBEN36
48" w #MNBEN48
60" w #MNBEN60
72" w #MNBEN72

**Mission
Expandable Bench**
#MNEXB
48" - 96" w x 13" d x 18" h
– Three 16" Leaves
– Leaf Holder

**Simplicity
Solid Top Bench**
#51-36BEN

Popular Sizes:
#51-36BEN 36"
#51-48BEN 48"
#51-60BEN 60"
#51-72BEN 72"

**Simplicity
Expandable Bench**
#51-1401EXB



Wasilla Bench
#WABEN36 36"
#WABEN48 48"
#WABEN60 60"
#WABEN72 72"

**Wasilla
Expandable Bench**
#WAEXB



Xander Live Edge Bench
16" d x 18" h
60" w #XRBN60
72" w #XRBN72
84" w #XRBN84
90" w #XRBN90



STORAGE OPTIONS

Why, you ask, do we make our beautiful hutches, buffets, and sideboards in the time-honored tradition of handcrafted furniture- building?

**BECAUSE
YOU WOULDN'T
WANT IT ANY
OTHER WAY.**

We are true craftsmen,
dedicated to building and finishing
every piece of furniture by hand, one
piece at a time. Because you wouldn't
expect any less from Fusion Designs.



We are true craftsmen, building and finishing every piece of furniture by hand

ONE PIECE AT A TIME.

... That's Fusion Designs.

HUTCHES

CASPIAN



- Caspian Hutch**
 #CPBFT40 (2-door)
 42 1/2" w x 20" d x 46" h
- #CPBFT60 (3-door)
 60 1/2" w x 20" d x 46" h
- #CPBFT80 (4-door)
 80 1/2" w x 20" d x 46" h

- Flush doors with light guard
- Antique glass sides
- Leaded glass doors
- Open deck
- Touch lighting
- Soft-close doors
- Mirror back (#MB)
- Hardware options (see Features & Options)

- Caspian Buffet**
 #CPBFB40 (2-door)
 40" w x 20" d x 34" h
- #CPBFB60 (3-door)
 58" w x 20" d x 34" h
- #CPBFB80 (4-door)
 76" w x 20" d x 34" h

- Optional silverware drawer insert (#SRD)

Total height buffet with hutch is 80"
 - 1 fixed shelf in base
 - 1 adjustable glass shelf w/ plate groove in top

CLASSIC



- Classic Hutch**
 #CCBFT40 (2-door)
 40" w x 20" d x 46" h
- #CCBFT56 (3-door)
 56" w x 20" d x 46" h

- #CCBFT72 (4-door)
 72" w x 20" d x 46" h
- Beveled glass in doors
 - Recessed touch lighting
 - Soft-close doors

- Classic Buffet**
 #CCBFB40 (2-door)
 38 7/8" w x 20" d x 34" h
- #CCBFB56 (3-door)
 56 3/8" w x 20" d x 34" h
- #CCBFB72 (4-door)
 72" w x 20" d x 34" h

- Soft-close doors & drawers
- Hardware options (see Features & Options)
- Optional silverware drawer insert (#SRD)

Total height buffet with hutch is 80"
 - 1 fixed shelf in base
 - 1 glass shelf w/ plate groove in top

EDMONTON



Edmonton Corner Hutch
#ENBFT
46" w x 25" d x 53" h
– Recessed touch lighting
– Inset doors
– Soft-close doors

Edmonton Corner Buffet
#ENBFB
32 1/2" w x 25" d x 36" h
– Soft-close doors
– Hardware options (see Features & Options)

Standard hardware is E-5

Total height buffet with hutch is 89"
– 1 shelf in base
– 2 shelves in top

ELARA DISPLAY CHEST



Elara Display Chest
#EADPC
40" w x 19" d x 78" h
Chest Top: 40" w

- Soft-closing, full extension, undermount drawer guides
- Dovetailed, solid wood drawers
- Recessed touch lighting
- Soft-close doors
- Display Chest includes 2 Adjustable glass shelves

See hardware page in Features and Options section



FARMVILLE



Farmville Hutch
#FEBFT (2 Door)
57" w x 60 1/2" d x 46 1/2" h

#FEBFT35 (1 Door)
31" w x 35" d x 46 1/2" h
Hutch Top: 31" w

Farmville Buffet
#FEBF (3 Drawer, 2 Door)
20" w x 57" d x 35" h

#FEBF31 (1 Drawer, 2 Door)
20" w x 31 1/2" d x 35" h

- Soft-closing, full extension, undermount drawer slides
- Soft closing doors on buffet only
- Dovetailed, solid wood drawers
- Recessed touch lighting

See hardware page in the Features & Options section

Total height buffet with hutch is 81 1/2"
– 2 shelves per section in base
– 2 shelves in top

HAYWORTH



Hayworth Hutch
#HHBFT46 (2-door)
46 1/2" w x 21 1/2" d x 46" h

#HHBFT62 (3-door)
62" w x 21 1/2" d x 46" h

- #HHBFT80 (4-door)
80" w x 21 1/2" d x 46" h
- Recessed touch lighting
 - Beveled glass doors
 - Soft-close doors
 - Ebony inlays

Hayworth Buffet
#HHBFB46 (2-door)
43 1/2" w x 21 1/2" d x 35" h

#HHBFB62 (3-door)
61 1/2" w x 21 1/2" d x 35" h

- #HHBFB80 (4-door)
76 1/2" w x 21 1/2" d x 35" h
- Soft-close drawers & doors
 - Optional silverware drawer insert (#SRD)
 - Mirror back (#MB)

Total height buffet with hutch is 81"
– 1 shelf in base
– 1 shelf in top

HUTCHES

TUSCANA



Tuscana Hutch
#TABFT50
64" w x 20" d x 41" h
– Recessed touch lighting
– Soft-close doors
– Optional mirror back (#MB)

Tuscana Buffet
#TABFB
60" w x 20" d x 40" h
– Soft-closing, full extension, undermount drawer slides
– Dovetailed, solid wood drawers
– Hardware (see Features & Options)
– Optional silverware drawer insert (#SRD)

Total height buffet with hutch is 81"
– 1 shelf per door in base
– 1 shelf per door in top

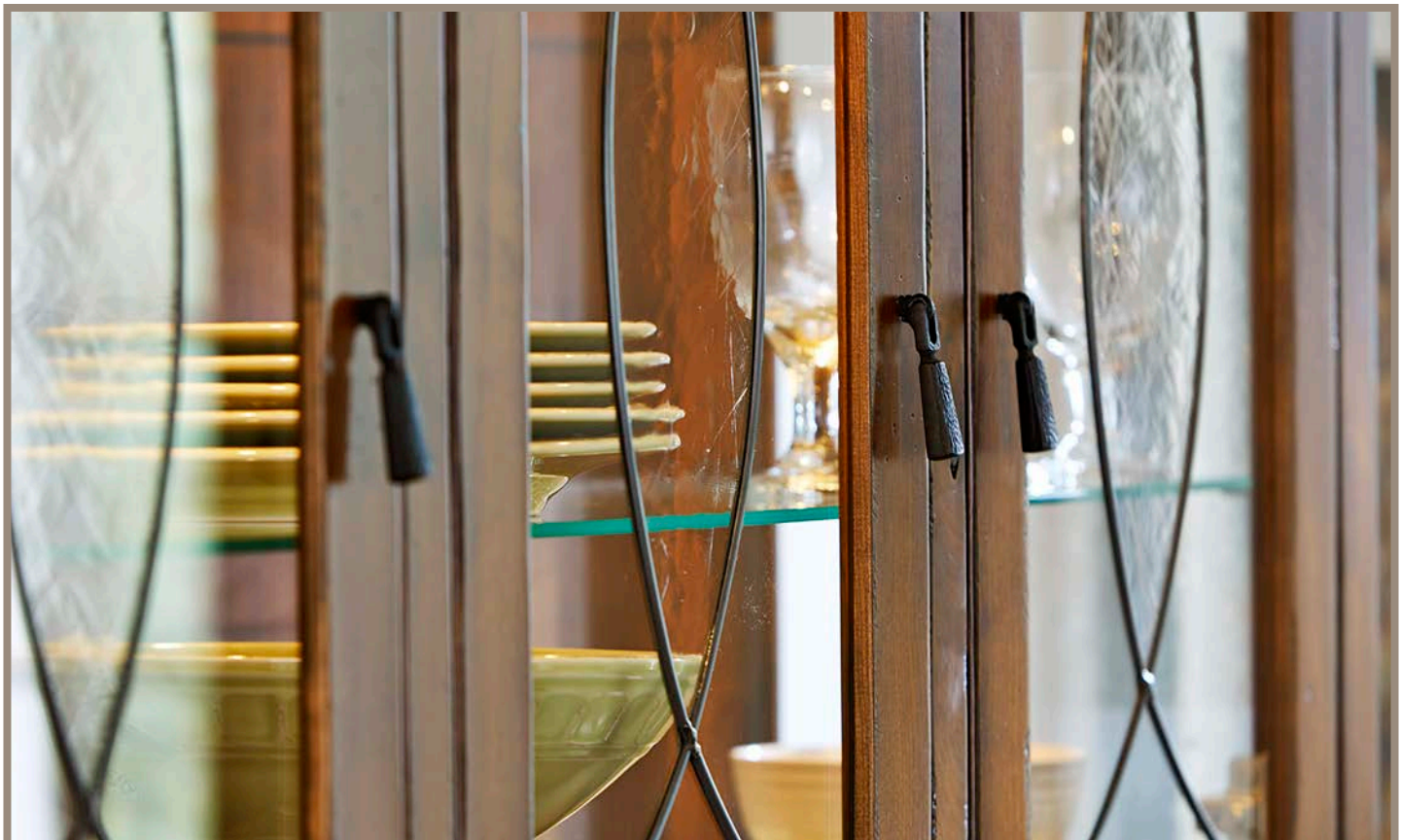
WELLINGTON



Wellington Hutch
#WNBFT
48" w x 20" d x 22" h
– Recessed touch lighting
– 3" crown molding
– Soft-close doors

Wellington Buffet
#WNBFB
46" w x 20" d x 44" h
– Soft-closing, full extension, undermount drawer slides
– Dovetailed, solid wood drawers
– 1" thick top
– Raised-panel doors
– Optional silverware drawer insert (#SRD)
– Hardware (see Features & Options)

Total height buffet with hutch is 66"
– 1 shelf in base
– No shelves in top



PIE SAFES

OLD MISSION PIE SAFE

#OMBF35

35 1/4"w x 17 1/2"d x 46 3/4"h

- Soft-closing, full extension, undermount drawer slides
- Dovetailed solid wood drawers
- Soft-close doors
- Hardware (see Features & Options)
- 2 shelves



BUFFETS & SIDEBOARDS

BARTLETT



- | | | |
|--|---|--|
| #BRBF54 (2-door)
20"w x 54"d x 40"h | #BRBF454 (4-door)
20"w x 54"d x 40"h | - Soft-closing, full extension,
undermount drawer slides |
| #BRBF60 (2-door)
20"w x 60"d x 40"h | #BRBF460 (4-door)
20"w x 60"d x 40"h | - Soft closing doors |
| #BRBF72 (2-door)
20"w x 72"d x 40"h | #BRBF472 (4-door)
20"w x 72"d x 40" | - Dovetailed, solid wood drawers |
| | | - 1 shelf per section |
| | | - 4-door unit comes with doors and
shelf instead of wine rack |

See hardware page in Features & Options section

CELINA BUFFET



- | | |
|--|---|
| #CLBF54 (4 door, 1 drawer)
20"w x 54" d x 40" h | - Soft-closing, full extension,
undermount drawer slides |
| #CLBF60 (4 door, 1 drawer)
20"w x 60" d x 40" h | - Soft closing doors |
| #CLBF72 (4 door, 1 drawer)
20"w x 72" d x 40" h | - Dovetailed, solid wood drawers |
| | - Radius doors |
| | - Outside doors, 1 shelf per door
stationary (if no wine rack,
1 shelf in center) |

COPENHAGEN LEAF STORAGE CABINET



- #CHBF60 60"
60" w x 19" d x 36" h
- Available size: 60" length- 60" stores 36", 42", or 48" long leaves
 - 36" standard height
 - Standard depth is 19" and will need to add 6" in depth to store 16" wide leaves
 - Cabinets can store up to 10 leaves w/ skirt
 - Standard with two adjustable shelves

ELARA SHELF CHEST



- #EASC
38" w x 18" d x 38" h
- Shelf chest includes 2 adjustable shelves that can be used as wine bottle holders or regular shelves
 - See hardware page in Features and Options section

ELARA DOOR CHEST



- #EADC
 38" w x 18" d x 38" h
 – Soft-close doors
 – Includes 2 adjustable shelves
 – See hardware page in Features and Options section

GIBSON HIGH BUFFET



- #GBHBF44 (2-door, 4-drawer) – Flush doors with light guard
 44" w x 20" d x 50" h – Multi-setting touch lights
 – 1 adjustable glass shelf
 #GBHBF56 (3-door, 4-drawer) – Soft closing undermount drawer guides
 56" w x 20" d x 50" h – Soft closing doors
 #GBHBF68 (4-door, 6-drawer) – Dovetailed solid wood drawers
 68" w x 20" d x 50" h – Hardware (see Features & Options)
 – Optional silverware drawer insert (#SRD)

GOSHEN BUFFET



- #GNBF60
 60" w x 20" d x 40" h
 – Textured glass
 – 1 adjustable wood shelf
 – Inset doors and drawers
 – Soft-closing, full extension, undermount drawer slides
 – Dovetailed solid wood drawers
 – Soft-close doors
 – Hardware (see Features & Options)
 – Optional silverware drawer insert (#SRD)

HAYWORTH BUFFET



- #HHBFB46 (2-door) – Soft-closing, full extension, undermount drawer slides
 (2 door, 2 drawer) – Dovetailed, solid wood drawers
 46" w x 21 1/2" d x 35" h – Soft-close doors
 #HHBFB62 (3-door) – Ebony Inlays
 62" w x 21 1/2" d x 35" h – Hardware (see Features & Options)
 #HHBFB80 (4-door) – Optional silverware drawer insert (#SRD)
 (4 door, 3 drawer) – 1 shelf in base
 80" w x 21 1/2" d x 35" h

BUFFETS & SIDEBOARDS

SIMPLICITY SERVER



#51-1101
56" w x 19" d x 36" h
– Features Walnut base
– Inlays are standard

SIMPLICITY CURIO CABINET



#51-1001
38" w x 15" d x 60" h
Features Walnut base
Inlays are standard

TUSCANA CLOSED BUFFET



#TABFB
60" w x 20" d x 40" h
– Solid wood dovetailed drawers
– Soft-close doors
– Hardware (see Features & Options)
– Optional silverware drawer insert (#SRD)
– 1 shelf per door

TUSCANA OPEN BUFFET



#TAOBF
60" w x 20" d x 40" h
– Dovetailed solid wood drawers
– Inset doors & drawers
– 1 shelf per door
– Hardware (see Features & Options)
– Optional silverware drawer insert (#SRD)

WELLINGTON BUFFET



#WNBFB
48"w x 20"d x 44"h
- Soft-closing, full extension,
undermount drawer slides
- Dovetailed, solid wood drawers
- 1" thick top

- 1 shelf in base
- Inset doors and drawers
- Raised panel doors
- Hardware (see Features & Options)
- Optional silverware drawer insert (#SRD)





LIVING ROOM COLLECTIONS

Imagine the compliments you'll get when your guests' eyes are drawn to your classically modern occasional table from Fusion Designs.

HONORING THE PAST DESIGNED FOR THE FUTURE.

Many furniture makers follow traditional designs primarily in the Mission or Arts and Crafts style. While we adhere to quality craftsmanship and attention to detail, our designs are innovative and imaginative.

BUNGALOW MISSION

collection

COLLECTION FEATURES

- 1" tops
- Dovetailed, maple drawers
- Premium soft-close, undermount drawer glides
- H-8 hardware

COLLECTION OPTIONS

- Distressed finish (#2D)
- Hand-planed tops (#HPD)
- Two-tone finish (#2TN)
- Hardware options (see Features & Options)



**Bungalow Mission
1 Drawer End Table**
#13-2501
21" w x 25" d x 24" h



**Bungalow Mission
26" Round End Table**
#13-2504
26" w x 26" d x 26" h

**Bungalow Mission
30" Round End Table**
#13-2505
30" w x 30" d x 26" h



**Bungalow Mission
Phone Stand**
#13-2507
19" w x 17" d x 28 1/2" h



**Bungalow Mission
Magazine Rack**
#13-2506
19 3/4" w x 13" d x 14" h



**Bungalow Mission
3 Drawer Coffee Table**
#13-2502
53" w x 25" d x 18" h

All items shown in
Quartersawn Oak with
#32 Michaels finish

All items shown in
Quartersawn Oak with
#32 Michaels finish

**Bungalow Mission
3 Drawer Sofa Table**
#13-2503
53" w x 19" d x 30" h



**Bungalow Mission
Bookcase 6 Shelves**
#13-2906
38" w x 13" d x 80" h

**Bungalow Bookcase
5 Shelves**
#13-2905
38" w x 13" d x 72" h

**Bungalow Mission
Bookcase 4 Shelves**
#13-2904
38" w x 13" d x 65" h

**Bungalow Bookcase
3 Shelves**
#13-2903
38" w x 13" d x 52" h



**Bungalow Mission
Bookcase 2 Shelves**
#13-2902
38" w x 13" d x 40" h

**Bungalow Mission
Bookcase 1 Shelf**
#13-2901
38" w x 13" d x 30" h



**Bungalow Mission
Single Door Bookcase**
#13-2907
32" w x 13 1/2" d x 60 1/2" h



**Bungalow Mission
Double Door Bookcase**
#13-2908
63" w x 13 1/2" d x 60 1/2" h

BUNGALOW MISSION

collection

CONTINUED...

All items shown in
Quartersawn Oak with
#32 Michaels finish



**Bungalow Mission
Club Chair**
#13-2301L Leather
#13-2301F Fabric
42 1/2" w x 38" d x 39" h
Stationary



**Bungalow Mission
Morris Chair**
#13-2310L Leather
#13-2310F Fabric
35" w x 37 3/4" d x 44" h
Reclines



**Bungalow Mission
Love Seat**
#13-2303L Leather
#13-2303F Fabric
60 3/4" w x 38" d x 39" h



Bungalow Mission Sofa
#13-2302L Leather
#13-2302F Fabric
84 3/4" w x 38" d x 39" h

CAMPBELL

collection

COLLECTION FEATURES

- Roundover edge on 1" thick tops
- Dovetailed, solid wood drawers
- Soft-closing, full extension, undermount drawer guides
- Soft-close doors
- N-14 knobs

COLLECTION OPTIONS

- Distressed finish (#2D)
- Two-tone finish (#2TN)



All items shown in
Brown Maple with
#49 Onvx finish



Campbell 16" End Table

#4CAET16
16"w x 24"d x 24"h

Campbell 22" End Table

#4CAET22
22"w x 24"d x 24"h

Campbell Sofa Table

#4CAST
54"w x 19"d x 30"h

Campbell Coffee Table

#4CACT
48"w x 28"d x 19"h



CASTLEBROOK

collection

COLLECTION FEATURES

- 1" tops with bread board ends
- Dovetailed, maple drawers
- Premium soft-close, undermount drawer glides
- Yellowheart wood inlays
- W-2 hardware

COLLECTION OPTIONS

- Distressed finish (#2D)
- Two-tone finish (#2TN)
- Hardware options (see Features & Options)

All items shown in Quartersawn White Oak with #30 Asbury finish



Castlebrook 42" Coffee Table

#4CKC42
42"w x 24"d x 18"h

Castlebrook 48" Coffee Table

(not shown)
#4CKC48
48"w x 28"d x 18"h

Castlebrook 16" End Table

#4CKE16
16"w x 26"d x 24"h

Castlebrook 23" End Table

(not shown)
#4CKE23
23"w x 26"d x 24"h

Castlebrook Sofa Table

#4CKS
54"w x 16"d x 29 1/2"h



MEMPHIS (CLOSED)

collection

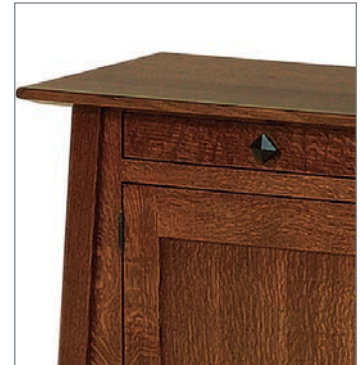
COLLECTION FEATURES

- 1" thick reverse-bevel tops
- Fully inset drawer & door fronts
- 1-9 knobs
- Soft-close drawers & doors

COLLECTION OPTIONS

- Distressed finish (#2D)
- Two-tone finish (#2TN)

See matching Memphis pieces in the Entertainment section.



All items shown in Quartersawn White Oak with #30 Asbury finish



Memphis Closed End Table

#4MYET
22" w x 20" d x 24" h

Memphis Closed Coffee Table

#4MYCT
42" w x 22" d x 17 1/2" h

Memphis Closed Sofa Table

#4MYST
48" w x 16" d x 29 1/2" h



MEMPHIS (OPEN)

collection

COLLECTION FEATURES

- 1" thick reverse-bevel tops
- Fully inset drawer fronts
- Arched top aprons
- I-9 knob
- Soft-closing, full-extension, undermount drawer guides

COLLECTION OPTIONS

- Distressed finish (#2D)
- Two-tone finish (#2TN)

See matching Memphis pieces in the Entertainment section.

All items shown in Quartersawn White Oak with #30 Asbury finish



Memphis Open Coffee Table

#4MYOCT
48"w x 28"d x 17 1/2"h

Memphis Open Sofa Table

#4MYOST
54"w x 16"d x 29 1/2"h

Memphis Open 23" End Table

#4MYOET23
23"w x 26"d x 24"h

Memphis Open 16" End Table

#4MYOET16
16"w x 26"d x 24"h



PACIFIC

collection

COLLECTION FEATURES

- Coffee table features 2 hidden drawers
- Nesting tables 2" thick

All items are shown in Brown Maple wood with #113 Oatmeal finish



Pacific Coffee Table

#PCCT

31" w x 31" d x 16" h

Pacific Nesting Table

#PCNT

21 1/8" w x 14 3/4" d x 23 7/8" h

Pacific Small Nesting Table

#PCNTS

16" w x 11 3/4" d x 18 7/8" h



SIMPLICITY

collection

COLLECTION FEATURES

- 1" tops
- Dovetailed, maple drawers
- Premium soft-close, undermount drawer glides
- Features a walnut bowtie inlay in tops
- Drawer front cutout as the hardware

All items are shown in Brown Maple wood with #99 Toffee finish

COLLECTION OPTIONS

- Distressed finish (#2D)
- Two-tone finish (#2TN)



**Simplicity
Cocktail Table**
#51-2503
48" w x 26" d x 19" h



**Simplicity
Chairside Table**
#51-2501
18" w x 25" d x 24" h



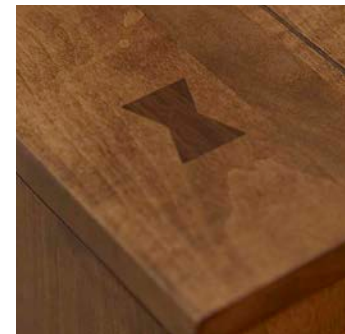
**Simplicity
End Table**
#51-2502
22" w x 27" d x 23" h



**Simplicity
2 Drawer Desk**
#51-2801
50" w x 18" d x 30" h



**Simplicity
Console Table**
#51-2504
50" w x 18" d x 30" h



Tops features **Walnut Inlays**

SIMPLICITY

collection

CONTINUED...



Simplicity Morris Chair
35" w x 37 3/4" d x 44" h
#SPMCF- Fabric
#SPMCL- Leather
Reclines



Simplicity Club Chair
42 1/2" w x 38" d x 39" h
#SPCCF- Fabric
#SPCCL- Leather
Stationary

Bottom frames feature
Walnut boards as standard



Simplicity Ottoman
25" w x 15" d x 17" h
#SPONF- Fabric
#SPONL- Leather



Simplicity Loveseat
60" w x 38" d x 39" h
#SPLSF- Fabric
#SPLSL- Leather



Simplicity Sofa
84" w x 38" d x 39" h
#SPSAF- Fabric
#SPSAL- Leather



All arms feature a
Walnut Bowtie Inlay

SOMA

collection

All items are shown in Brown Maple wood with #113 Oatmeal finish.

COLLECTION FEATURES

- 1" tops
- Dovetailed, maple drawers
- Premium soft-close, undermount drawer glides
- SO-1 hardware

COLLECTION OPTIONS

- Distressed finish (#2D)
- Two-tone finish (#2TN)
- Hardware options (see Features & Options)



Soma End Table
#SET
24" w x 28" d x 24" h



Soma Sofa Table
#SST
64" w x 16" d x 29 1/2" h



Soma Console
#SCT
72" w x 14" d x 24" h



Soma Coffee Table
#SCFT
48" w x 18" d x 28" h

ENTERTAINMENT COLLECTIONS

Whatever your available space, whatever feature you desire, whatever persona you want to add to your room's decor, Fusion Designs offers a media center that's adaptable to your needs.

PERFECT FIT AND FUNCTION.

All of our beautiful cabinets, hutches, and towers are crafted to provide an aesthetically pleasing look and long-lasting use.

Media Consoles

MEMPHIS

COLLECTION FEATURES

- Dovetailed solid wood drawers
- Soft-close doors & drawers
- I-9 hardware

Media Unit Features

- 2 CD/DVD accessible drawers
- 1 adjustable shelf behind each door
- KV ball bearing, full-extension slides
- Smoked glass in doors

COLLECTION OPTIONS

- Hardware Options
(see Features & Options page)

See matching Memphis pieces in the Living Room section.

All items shown in
Quartersawn White Oak with
#32 Michaels Cherry finish

15"	18.625"	10.375"	
7.25"	30.25"		
18" Model Interior Depth 15.5"			

15"	18.625"	10"	
7.25"	24.25"		
18" Model Interior Depth 15.5"			

15"	18.625"	
7.25"	38.5"	
18" Model Interior Depth 15.5"		

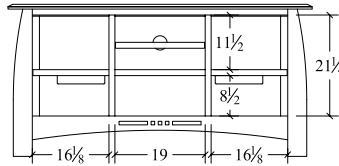


Memphis 49"
Media Console
#4MYTVS49
49"w x 18"d x 29 1/2"h

Memphis 60"
Media Console
#4MYTVS60
60"w x 18"d x 29 1/2"h

Memphis 72"
Media Console
#4MYTVS72
72"w x 18"d x 29 1/2"h

HAYWORTH



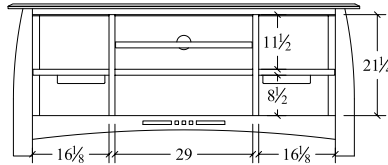
Hayworth 64" Entertainment Console
#HHTV64
64" w x 19" d x 32" h

COLLECTION FEATURES

- Constructed using solid wood
- Dovetailed, solid wood drawer boxes
- Undermount, soft-closing drawers
- Ebony Wood Inlay
- N-14 Black Hardware

COLLECTION OPTIONS

- Hardware Options (see Features & Options page)
- No Inlay



Hayworth 74" Entertainment Console
#HHTV74
74" w x 19" d x 32" h

All items shown in Quartersawn White Oak with #99 Toffee finish

SOMA

COLLECTION FEATURES

- Constructed using solid wood
- Dovetailed, solid wood drawer boxes
- Soft closing doors
- SO-1 Knob hardware
- 1 shelf behind each door

COLLECTION OPTIONS

- Hardware options (see Features & Options)

All items are shown in Brown Maple wood with #113 Oatmeal finish.



Soma Open 60" Console
#SOET60
60" w x 18" d x 30" h

Soma Open 72" Console
#SOET72
72" w x 18" d x 30" h



Soma Closed 60" Console
#SCET60
60" w x 18" d x 30" h

Soma Closed 72" Console
#SCET72
72" w x 18" d x 30" h

Media Consoles

VILLA

COLLECTION FEATURES

- Constructed using solid wood
- Dovetailed drawers
- Side mounted, full extension drawer guides
- Removable backs
- Vented adjustable shelves & floors
- Soft-close doors

COLLECTION OPTIONS

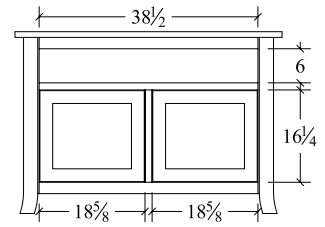
- Flip down glass door (#OGD)
- Hardware Options (see Features & Options page)
- Drawer in place of sound bar opening (#OD)

See Features & Options page for details

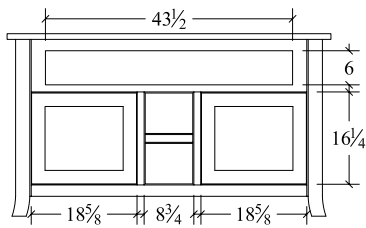
All items shown in Cherry with #68 Hazelnut finish



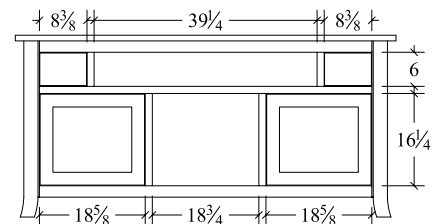
Villa 47" Media Console
#VATV47
47" w x 21" d x 32" h



Villa 57" Media Console
#VATV57
57" w x 21" d x 32" h



Villa 67" Media Console
#VATV67
67" w x 21" d x 32" h







OFFICE COLLECTIONS

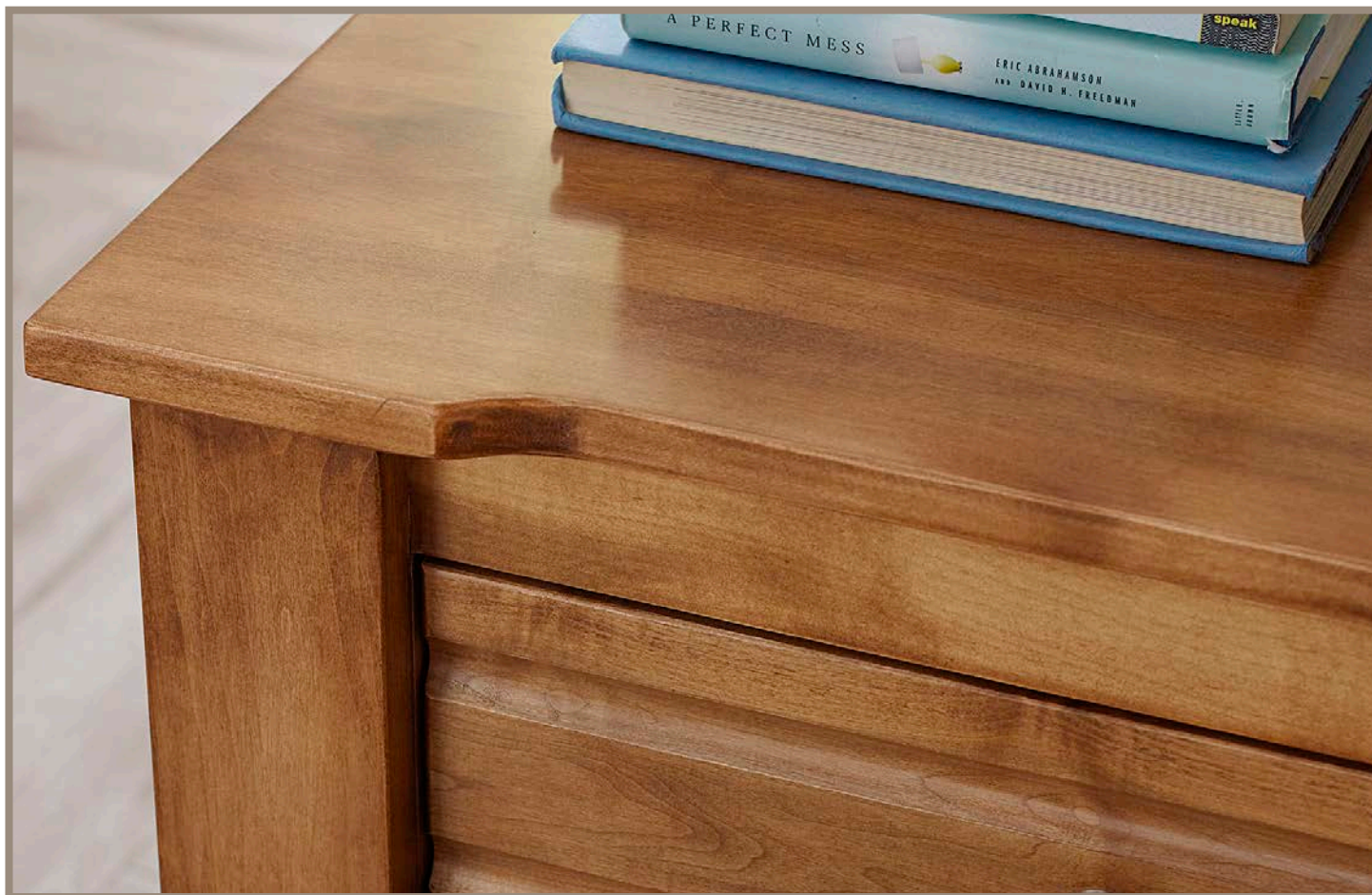
Our office furniture reflects the growing enthusiasm in a crafted furniture experience for the home. With talented artisans using time-honored techniques passed down through generations, these are timeless pieces that will never pass out of style.

**FURNITURE
MEANT TO BE ENJOYED
FOR GENERATIONS.**

OFFICE COLLECTIONS

Livonia Channel Back

**Livonia Channel Back
Upholstered Chair**
#LVACCF
25" w x 20" d x 37" h
- Fabric #LVACCF
- Leather #LVACCL



Platte River

COLLECTION FEATURES

- Constructed using solid wood
- Dovetailed, solid wood drawer boxes
- Sidemounted slides

Executive Desk Features

- Electrical/USB port
- SO-1 hardware

Bookshelf Features

- Adjustable shelves

COLLECTION OPTIONS

- Hardware Options
(see Features & Options page)

*Not available as custom

All items are shown in Brown Maple wood with #113 Oatmeal finish.



Power Port/USB



Platte River Executive Desk
#PRDK66
66"W x 24"D x 30"H



Platte River Writing Desk
#PRDK48
48"W x 24"D x 30"H



Platte River File Cabinet
#PRFC2D
19.5"W x 24"D x 30"H

Platte River 72" Bookshelf
#PRBK72, 4 shelves
36"W x 14"D x 72"H



OFFICE COLLECTIONS

Platte River

Platte River 30" Bookshelf
#PRBK30, 1 shelf
36"W x 14"D x 30"H



Platte River 36" Bookshelf
#PRBK36, 2 shelves
36"W x 14"D x 36"H



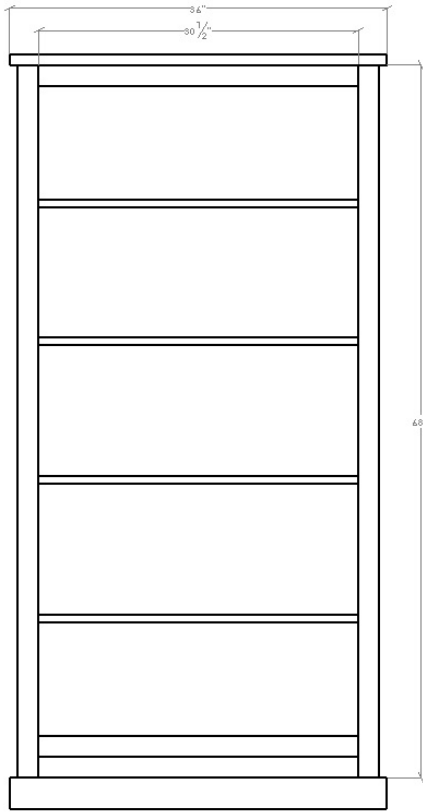
Platte River 48" Bookshelf
#PRBK48, 3 shelves
36"W x 14"D x 48"H



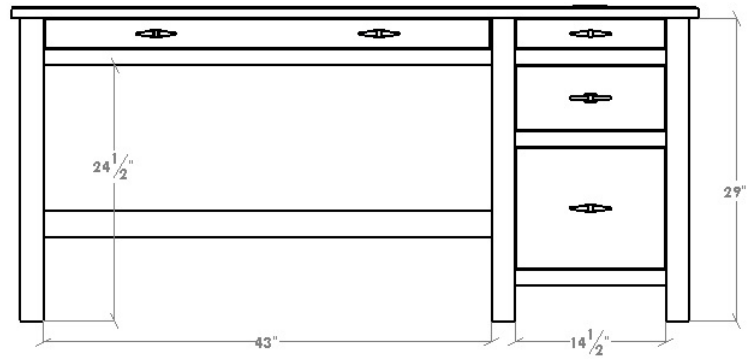
Platte River 60" Bookshelf
#PRBK60, 3 shelves
36"W x 14"D x 60"H



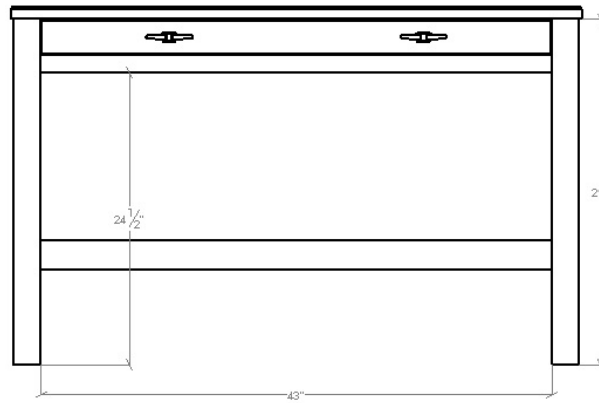
Platte River



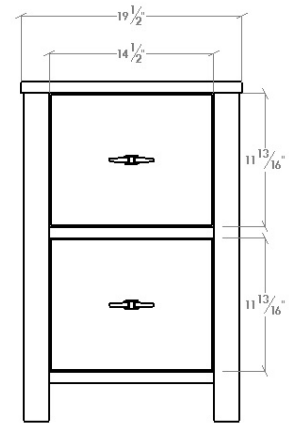
Platte River 72" Bookshelf
#PRBK72, 4 shelves
36"W x 14"D x 72"H



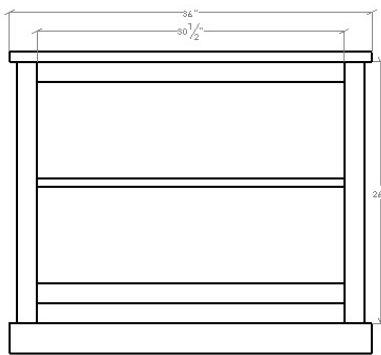
Platte River Executive Desk
#PRDK66
66"W x 24"D x 30"H



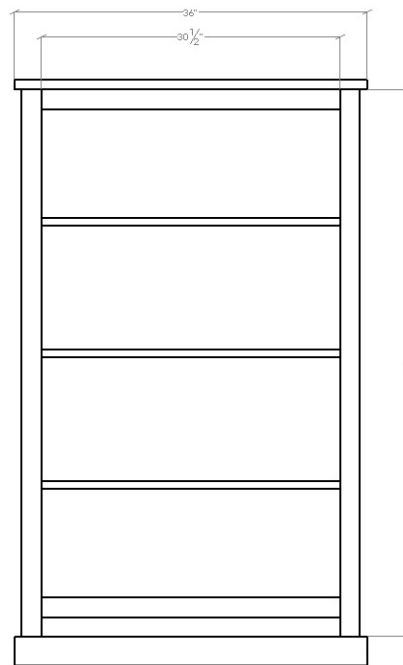
Platte River Writing Desk
#PRDK48
48"W x 24"D x 30"H



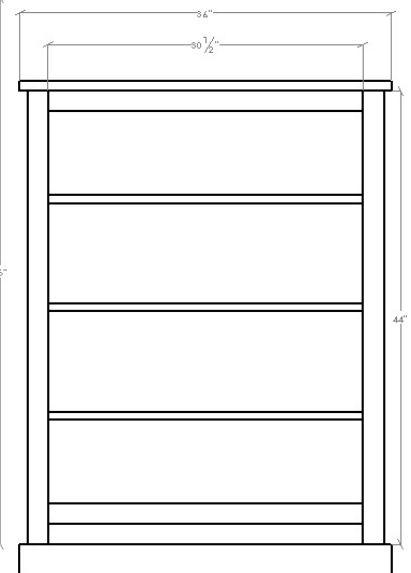
Platte River File Cabinet
#PRFC2D
19.5"W x 24"D x 30"H



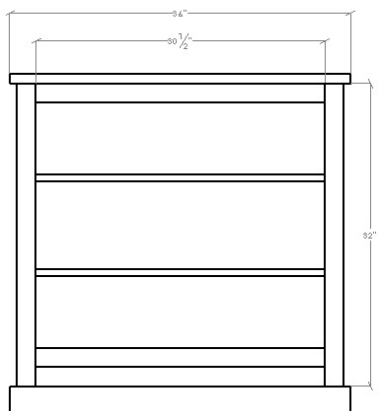
Platte River 30" Bookshelf
#PRBK30, 1 shelf
36"W x 14"D x 30"H



Platte River 60" Bookshelf
#PRBK60, 3 shelves
36"W x 14"D x 60"H



Platte River 48" Bookshelf
#PRBK48, 3 shelves
36"W x 14"D x 48"H



Platte River 36" Bookshelf
#PRBK36, 2 shelves
36"W x 14"D x 36"H

OFFICE COLLECTIONS

Simplicity

COLLECTION FEATURES

- Constructed using solid wood
- Dovetailed, solid wood drawer boxes
- Walnut bowtie inlays
- Side mount slides are used for superior strength
- Locks on file drawers
- USB features
- Electrical port on desk
- Flip down keyboard drawers
- Docking power stations
- Finished back panels
- Adjustable shelves in bookshelves
- Select pieces feature walnut bases as a standard

*Not available as custom



**Simplicity Desk
w/ 2 Drawers**

#51-2801

50" w x 18" d x 30" h

Shown in Brown Maple wood
with #99 Toffee finish.

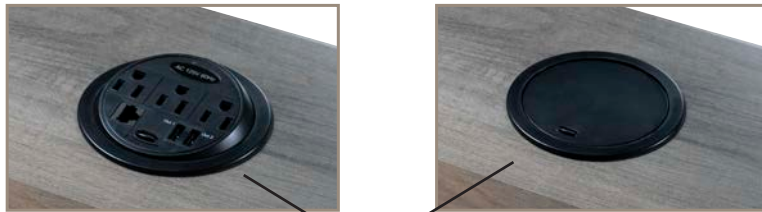
Simplicity 72" Bookshelf

#SPBK72, 5 Shelves

40" w x 14 1/2" d x 72" h



Walnut base is standard



Simplicity 66" Drawer Desk

#SPDK66DT

66" w x 30" d x 30" h

Shown in Brown Maple wood
with #103 Dew finish



Flip Down Keyboard Drawers



**Simplicity Adjustable
60" Desk**
#SPDK60A
60" w x 24" d x 24 1/2 – 50" h
Features an electronic control module
with 4 preset height adjustments and
a plug in power strip



Features **Bowtie Inlays**
as standard



Adjustable shelf

Walnut base
is standard



Simplicity File Cabinet
#SPFCL2, 2-Drawer
38" w x 21" d x 30" h
#SPFC2D, 2-Drawer
17" w x 25" d x 30" h
SPFC3D, 3-Drawer
17" w x 25" d x 41 1/4" h
SPFC3D, 3-Drawer
17" w x 25" d x 52 1/2" h

Shown in Brown Maple wood
with #103 Dew finish

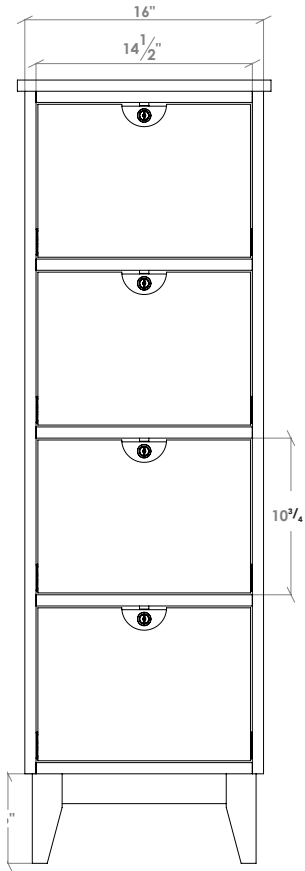
Simplicity Desk Hutch

#SPTP60
60" w x 16" d x 42" h
#SPTP66
66" w x 16" d x 42" h
#SPTP72
72" w x 16" d x 42" h

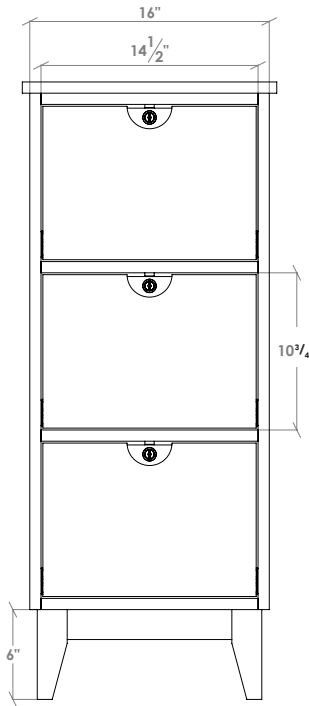
Shown in Brown Maple wood
with #103 Dew finish

OFFICE COLLECTIONS

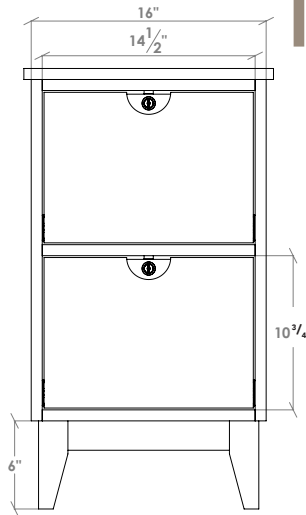
Simplicity



**Simplicity File Cabinet
4 Drawer**
#SPFC4D
17" w x 25" d x 53" h

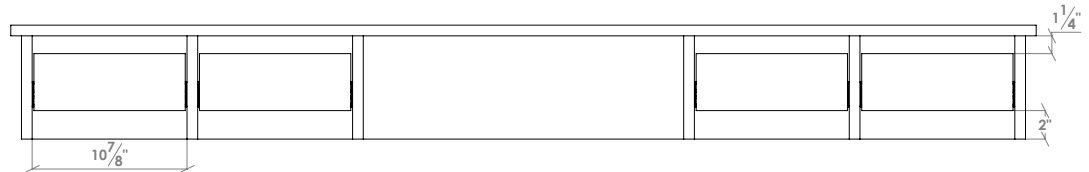
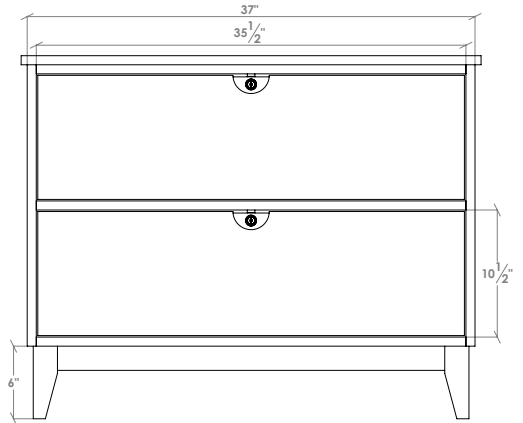
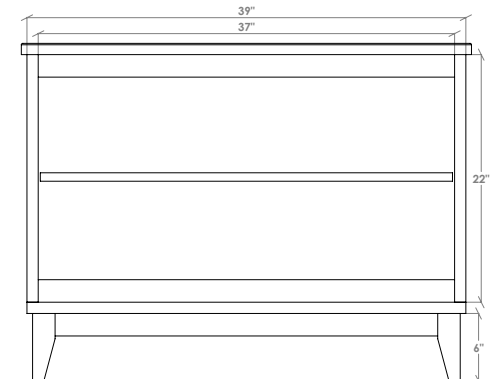


**Simplicity File Cabinet
3 Drawer**
#SPFC3D
17" w x 25" d x 42" h



**Simplicity File Cabinet
2 Drawer**
#SPFC2D
17" w x 25" d x 30 1/2" h

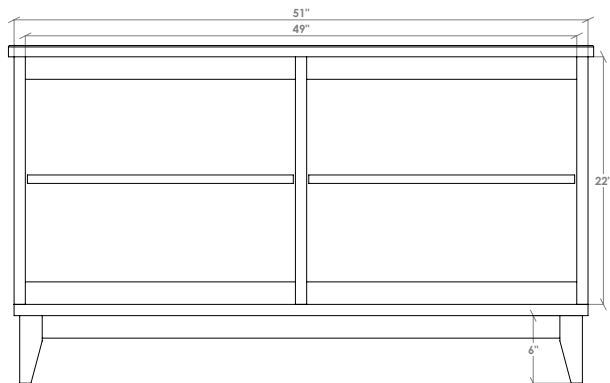
- Simplicity Bookshelf**
- #SPBK30, 1 Shelf 40" w x 14 1/2" d x 30" h
 - #SPBK36, 2 Shelves 40" w x 14 1/2" d x 36" h
 - #SPBK48, 3 Shelves 40" w x 14 1/2" d x 48" h
 - #SPBK60, 4 Shelves 40" w x 14 1/2" d x 60" d
 - #SPBK72, 5 Shelves 40" w x 14 1/2" d x 72" h
 - #SPBK78, 5 Shelves 40" w x 14 1/2" d x 78" h
 - #SPBK84, 6 Shelves 40" w x 14 1/2" d x 84" h



Simplicity 60" Desk Organizer
#SPDT60
60" w x 12 1/2" d x 8" h

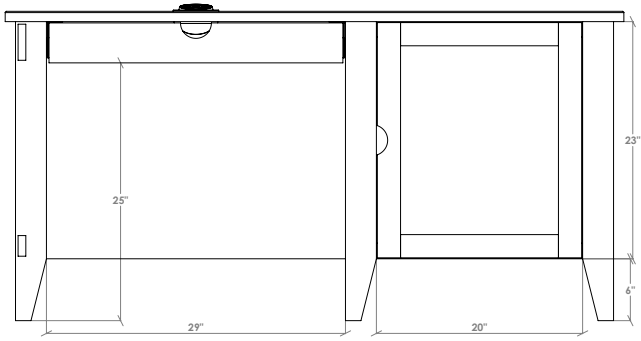
Simplicity 66" Desk Organizer
#SPDT66
66" w x 12 1/2" d x 8" h

Simplicity 72" Desk Organizer
#SPDT72
72" w x 12 1/2" d x 8" h

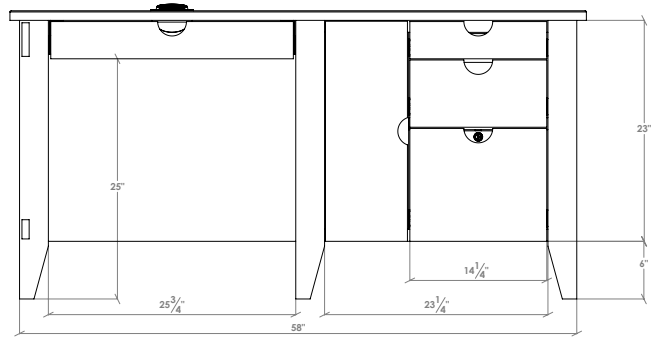


Simplicity Double Bookshelf

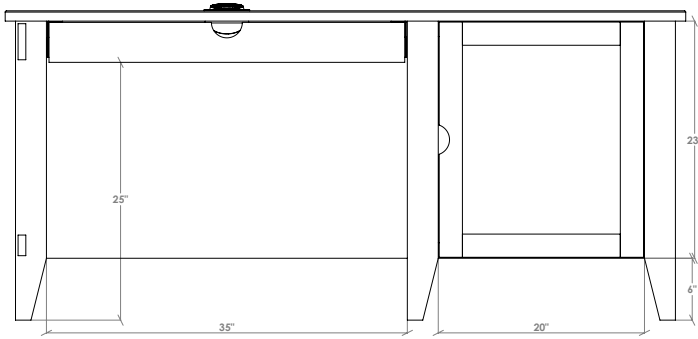
- #SPDBK30, 1 Shelf 52" w x 14 1/2" d x 30" h
- #SPDBK36, 2 Shelves 52" w x 14 1/2" d x 36" h
- #SPDBK48, 3 Shelves 52" w x 14 1/2" d x 48" h
- #SPDBK60, 4 Shelves 52" w x 14 1/2" d x 60" d
- #SPDBK72, 5 Shelves 52" w x 14 1/2" d x 72" h
- #SPDBK78, 5 Shelves 52" w x 14 1/2" d x 78" h
- #SPDBK84, 6 Shelves 52" w x 14 1/2" d x 84" h



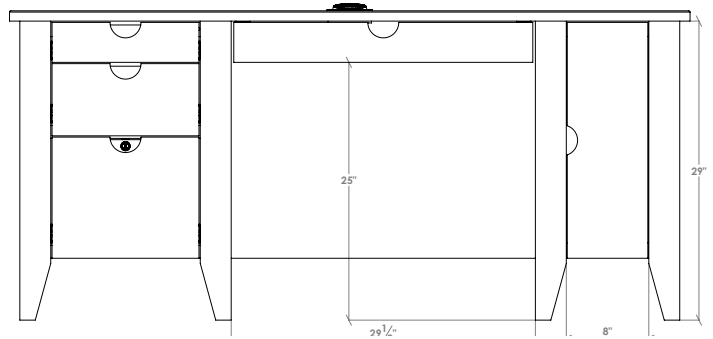
**Simplicity 60"
Door Desk**
#SPDK60DR
60" w x 30" d x 30" h



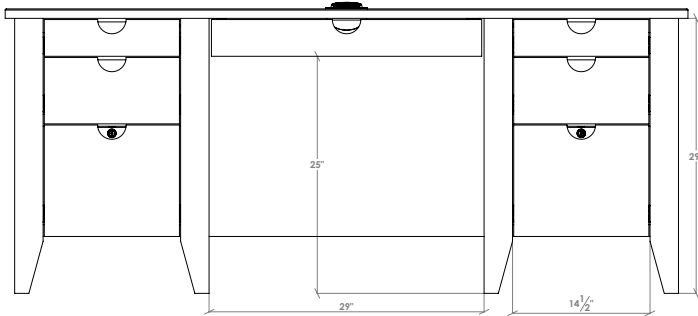
**Simplicity 60"
Drawer Desk**
#SPDK60DT
60" w x 30" d x 30" h



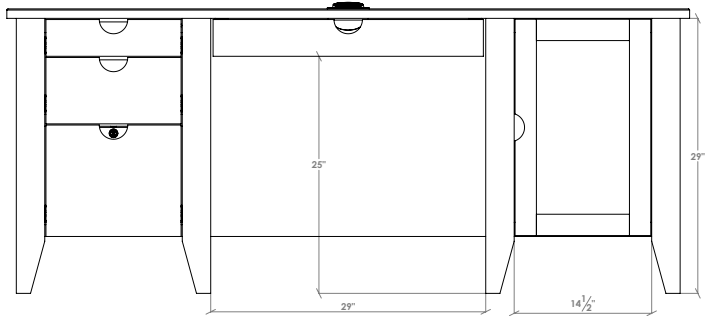
**Simplicity 66"
Media Door Desk**
#SPDK66DR
66" w x 30" d x 30" h



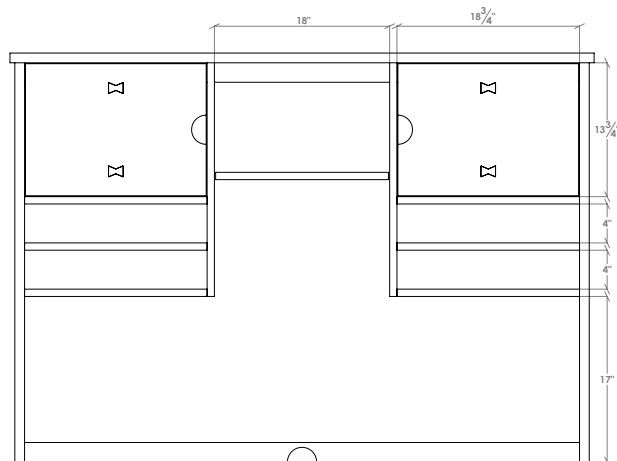
**Simplicity 66"
Media Drawer Desk**
#SPDK66MD
66" w x 30" d x 30" h



**Simplicity 72"
Drawer Desk**
#SPDK72DT
72" w x 30" d x 30" h



**Simplicity 72"
Door Desk**
#SPDK72DR
72" w x 30" d x 30" h



Simplicity Desk Hutch
#SPTP60
60" w x 16" d x 42" h
#SPTP66
66" w x 16" d x 42" h
#SPTP72
72" w x 16" d x 42" h

OFFICE COLLECTIONS

Traditional

Traditional Bookcase

#NC-2906

36" w x 14" d x 72" h

#NC-2905

36" w x 14" d x 48" h

#NC-2904

36" w x 14" d x 36" h

Shown in Oak wood with #33 Medium finish
– Adjustable shelves

*Not available as custom







BEDROOM OPTIONS

Romp in bed with the kids. Sleep in on Sunday morning. Beds made by Fusion Designs are rugged and solid, yet cradle you in restful comfort. While other companies say they still make their furnishings mostly by hand...

**WE ALWAYS WILL.
THAT'S OUR
PLEDGE TO YOU.**

High-grade hardwoods and proven finishes mean that you can trust your bedroom furniture will last for many years. In fact, we guarantee it!

ADDISON *Bedroom Collection*

COLLECTION FEATURES

- Constructed with mortise and tenon joints
- Cast dovetailed brackets support mattress
- Hardware not available on other collections
- Dovetailed drawers
- Soft-close full extension drawers

COLLECTION OPTIONS

- Distressed finish (#2D)
- Hardware Options - see hardware page in Features & Options section
- Underbed Storage Options
- Dresser drawer available with felt lined jewelry tray (#SJT)
- See upholstery book for fabric and leather choices



*Hardware not available on other collections



Addison 3-Drawer Nightstand
#ADNS
26" w x 18 3/4" d x 30" h



Addison 1-Drawer Nightstand
#ADNS1
26" w x 18 3/4" d x 30" h



**Addison
5-Drawer Chest**
#ADCD
41"w x 22"d x 53 1/4"h



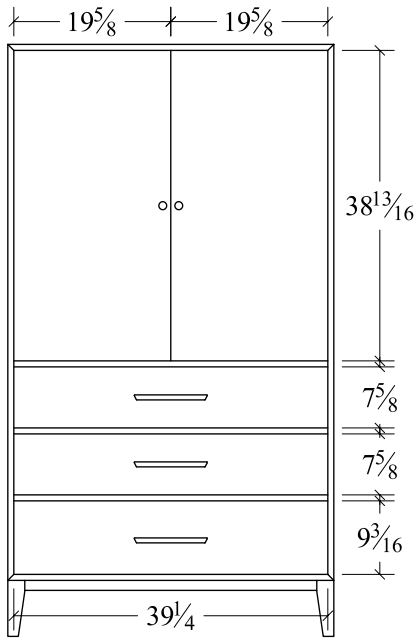
Addison Mirror
#ADMR
45 3/4"w x 38 1/4"h

**Addison
6-Drawer Dresser**
#ADDR65
65"w x 22"d x 33 1/2"h

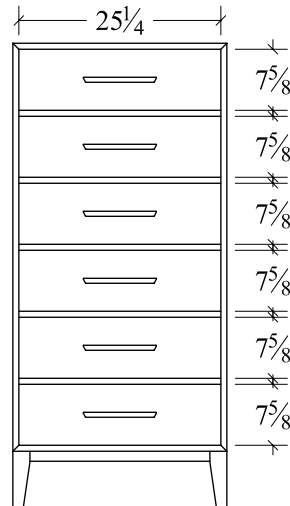
Addison Bed
Headboard 55"h
Footboard 24"h
#CADKB Cal King 75 7/8"w
#ANKB King 78 7/8"w
#ANQB Queen 62 7/8"w
#ANFB Full 56 7/8"w



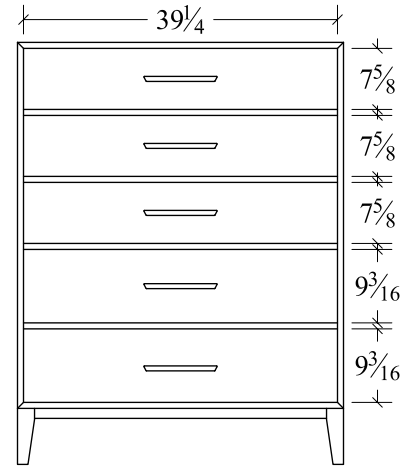
ADDISON BEDROOM COLLECTION SPECIFICATIONS



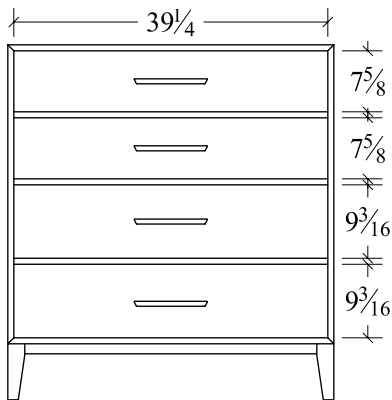
Armoire (ADAR)
3 drawer, 2 door
41w x 22d x 74 1/4h



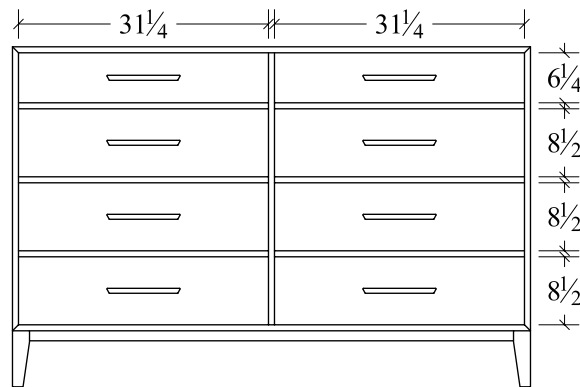
Lingerie (ADLC)
6 drawer
27w x 22d x 58 1/4h



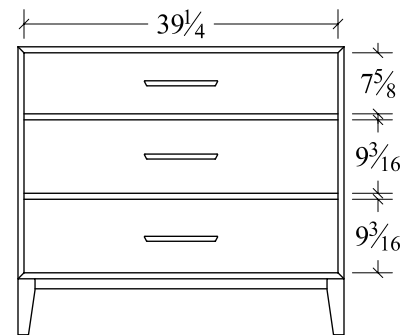
Chest (ADCD)
5 drawer
41w x 22d x 53 1/4h



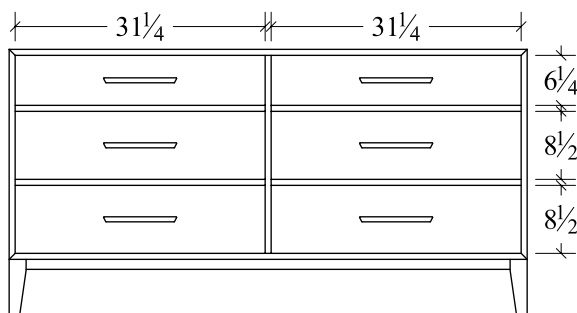
Chest (AD4CD)
4 drawer
41w x 22d x 44 5/8h



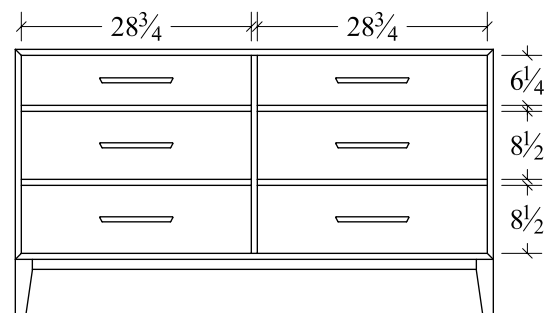
Dresser (AD8DR65)
8 drawer
65w x 22d x 43h



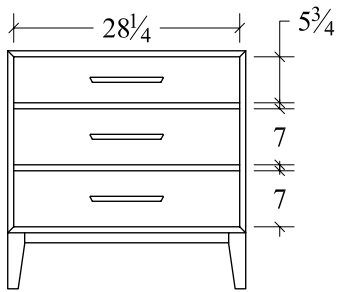
Chest (AD3CD)
3 drawer
41w x 22d x 36 1/4h



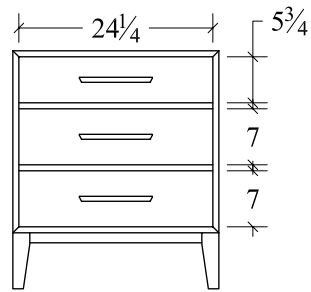
Dresser (ADDR)
6 drawer
65w x 22d x 33 1/2h



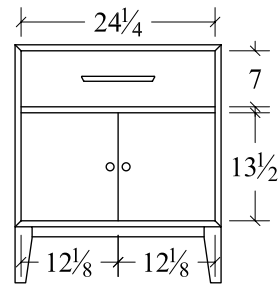
Dresser (AD6DR60)
6 drawer
60w x 22d x 33 1/2h



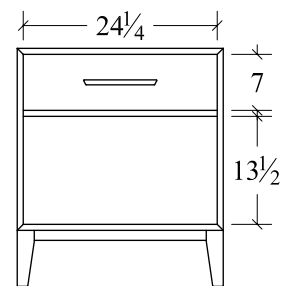
Night Stand (ADNS30)
3 drawer
30w x 18 3/4d x 30h



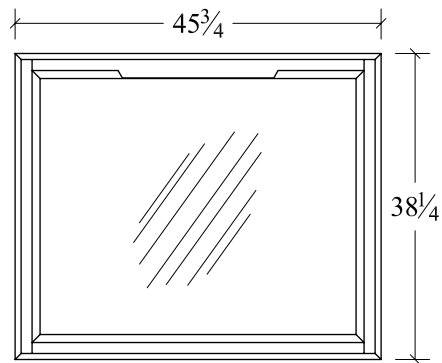
Night Stand (ADNS)
3 drawer
26w x 18 3/4d x 30h



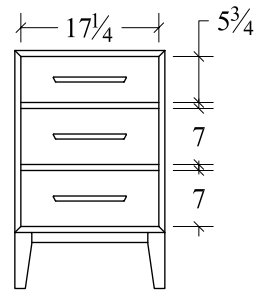
Night Stand (ADNS11)
1 drawer, 2 door
26w x 18 3/4d x 30h



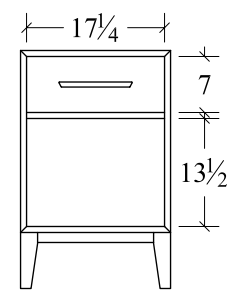
Night Stand (ADNS1)
1 drawer
26w x 18 3/4d x 30h



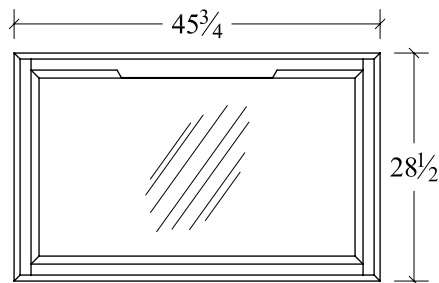
Mirror (ADMR)
45 3/4w x 38 1/4h



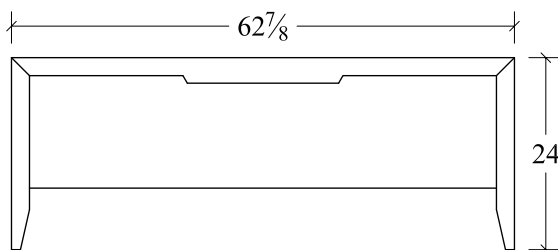
Night Stand (ADNS19)
3 drawer
16w x 18 3/4d x 30h



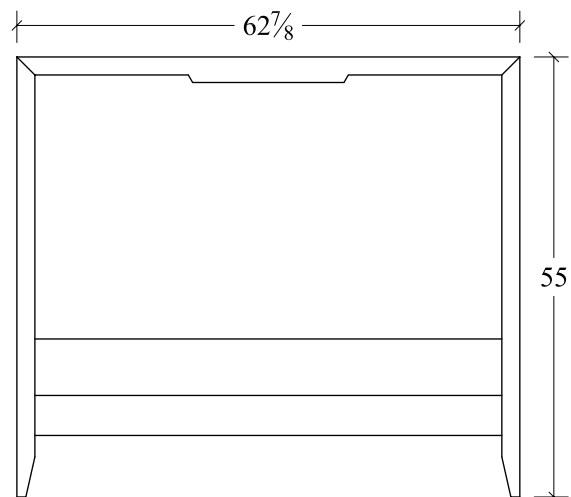
Night Stand (ADNS191)
1 drawer
19w x 18 3/4d x 30h



Mirror (ADMR8)
45 3/4w x 28 1/2h



Queen Footboard (ADQB)
62 7/8w x 24h



Queen Headboard (ADQB)
62 7/8w x 55h

ADRIAN *Bedroom Collection*

COLLECTION FEATURES

- Bevel-cut mirror
- Mortise & tenon joints
- Dovetailed solid wood drawers
- Soft-close full extension drawers
- Solid wood fully framed case goods
- 1" thick solid tops
- Cast dovetail bracket mattress support
- Two solid hardwood adjustable shelves on armoire
- Cedar-lined bottom drawer on chest
- Dividers in second row drawers on dressers
- N-14 Black hardware
- Mission edge is standard

COLLECTION OPTIONS

- Hardware Options (see Features & Options page)
- Additional adjustable shelf for armoire (#AJS)
- Under bed storage unit
- Touch-switch LED night light (#LEDN)
- Night Stand available with sliding top, hidden compartment, lock & three-plug power strip (#STP)
- Armoire available with 1 hanger rod in place of 2 adjustable shelves
- Additional drawer dividers (#DD)
- Dresser drawer available with felt-lined jewelry tray (#SJT)
- Additional cedar-lined drawers (#CB)
- Docking drawer (#DKD)



Adrian 3-Drawer Nightstand
#ANNS
27" w x 17" d x 30 1/2" h



Shown in Brown Maple with #51 Autumn Finish



Adrian 6-Drawer Chest
#ANCD
40"w x 22"d x 53"h



Adrian Mirror
#ANMR
42"w x 2"d x 41"h

Adrian 7-Drawer Dresser
#AN7DR
66"w x 22"d x 36 1/2"h

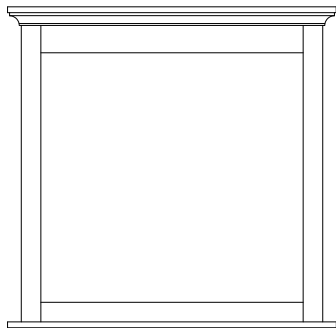


Adrian Bed
Headboard 57"h
Footboard 30"h
#CANKB Cal King 79"w x 92"d,
#ANKB King 83"w x 88"d
#ANQB Queen 67"w x 88"d
#ANFB Full 61"w x 82"d

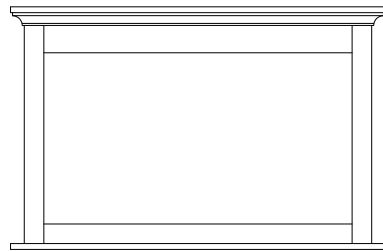
ALTERNATIVE BED SUGGESTION:
Fulton Bed
Headboard: 55"h
Footboard: 30"h
#CFLKB Cal. King: 81"w x 92 1/4"d
#FLKB King: 85"w x 88 1/4"d
#FLQB Queen: 69"w x 88 1/4"d
#FLFB Full: 63"w x 82 1/4"d



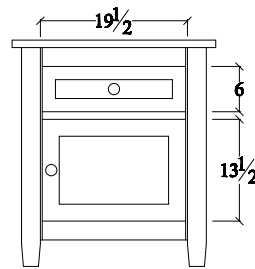
ADRIAN BEDROOM COLLECTION SPECIFICATIONS



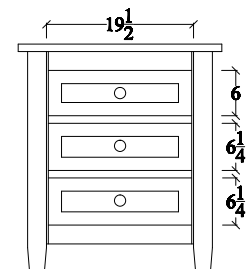
Mirror (ANM42)
42w x 41h



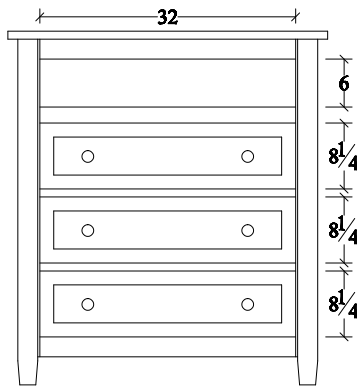
Mirror (ANM48)
48w x 31h



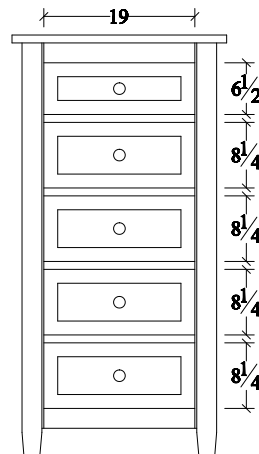
Nightstand (ANNS11R)
1 door, 1 drawer
27w x 17d x 30 1/2h



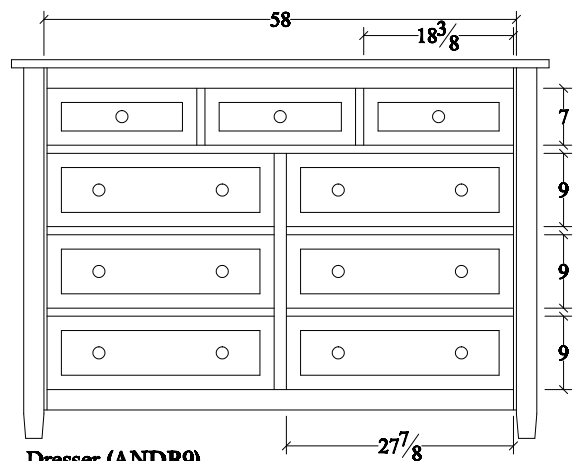
Nightstand (ANNS3)
3 drawer
27w x 17d x 30h



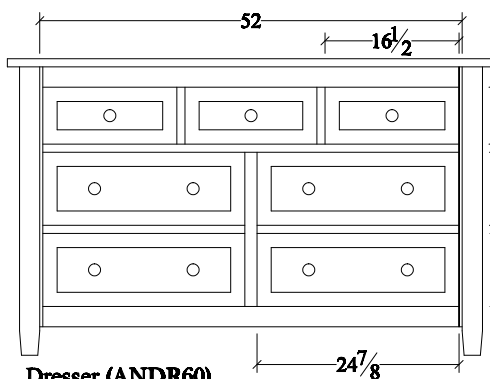
Media Chest (ANMC)
3 drawer, 1 opening
40w x 22d x 44 1/4h



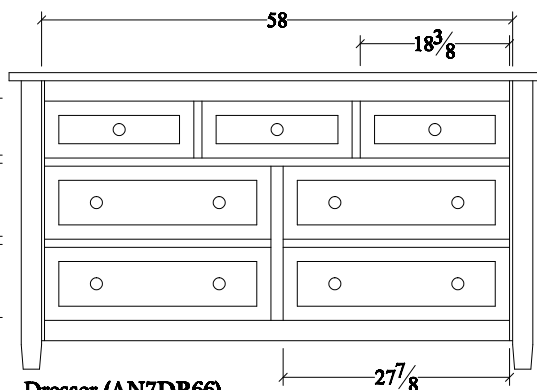
Lingerie Chest (ANLC)
5 drawer
27w x 17d x 53h



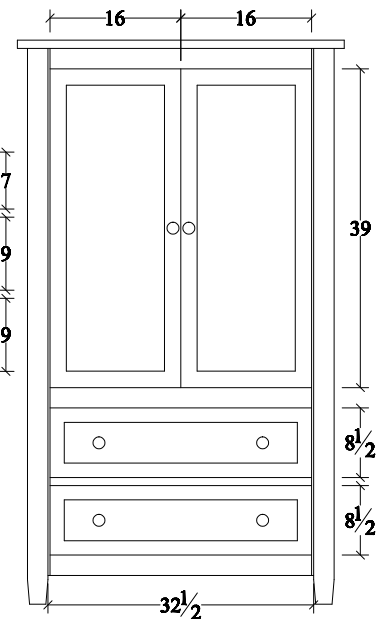
Dresser (ANDR9)
9 drawer
66w x 22d x 46 1/2 h



Dresser (ANDR60)
7 drawer
60w x 22d x 36 1/2 h

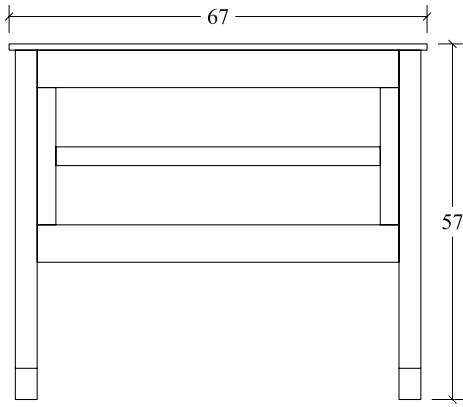


Dresser (AN7DR66)
7 drawer
66w x 22d x 36 1/2 h

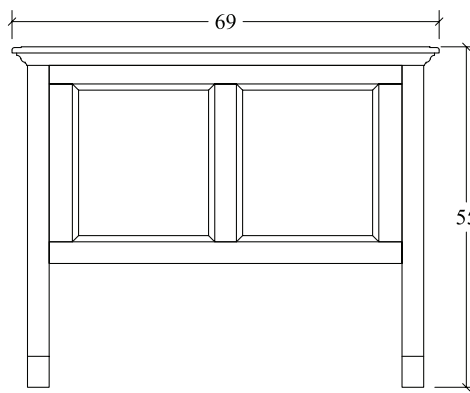


Armoire (ANAR)
2 door, 2 drawer
39w x 22d x 70h

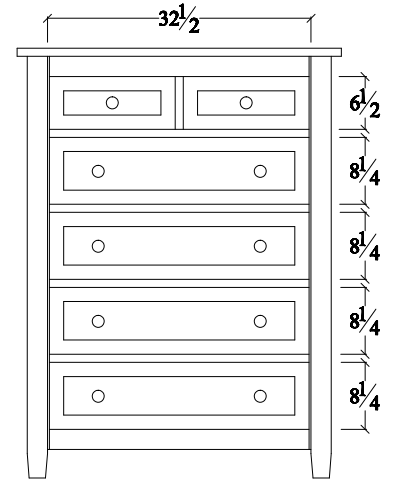
*2 shelves



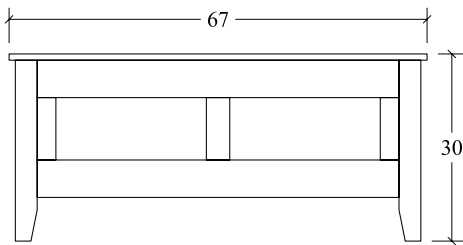
Queen Headboard (ANQB)
67w x 57h



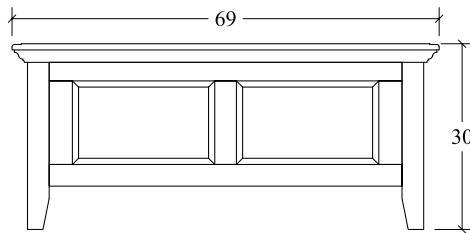
Queen Headboard (FLQB)
69w x 55h



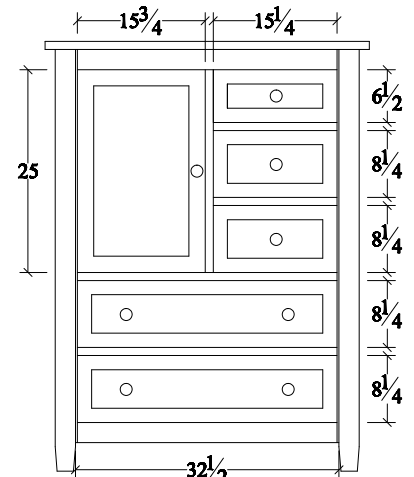
Chest (ANCD)
6 drawer
40w x 22d x 53h



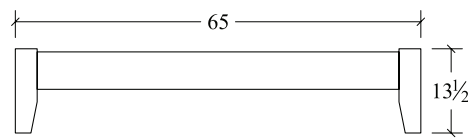
Queen Footboard (ANQB)
67w x 30h



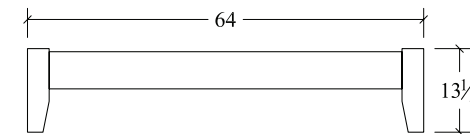
Queen Footboard (FLQB)
69w x 30h



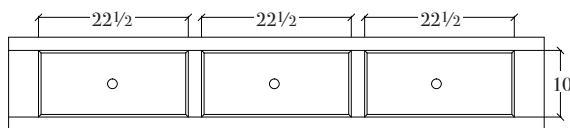
Door Chest (ANDRC)
1 door, 5 drawer
40w x 22d x 53h
*1 shelf



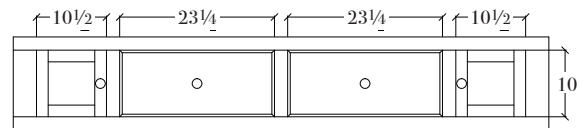
Queen Low Footboard (ANQB)
65w x 13 1/2h



Queen Low Footboard (FLQB)
64w x 13 1/2h



Storage Rail
3 drawer
14h
See pricelist for underbed
storage order info



Storage Rail
2 door, 2 drawer
14h
See pricelist for underbed
storage order info

BUNGALOW *Bedroom Collection*

COLLECTION FEATURES

- Mirrors have bevel cut edges
- Constructed with mortise and tenon joints
- Dovetailed, solid Cedar wood drawers
- Soft-closing, full extension, undermount drawer guides
- Measurements are to the tops of the backsplash on the case goods

COLLECTION OPTIONS

- Low footboard option
- Distressed finish (#2D)
- Hardware options (see Features & Options page)
- Underbed storage options

NOTE: This collection not available with nightlight or docking station options

*Bungalow cannot have sliding top option

Inspired by the traditions of Mission style, the clean, vertical lines and flat planes of the timeless Bungalow Collection are crafted from red, quarter-sawn oak, with a finish that uses the natural grain of the wood as a decorative element. Highlights include cedar drawer boxes with English dovetail construction, handsome hardware in a rustic finish, and a spindle bed and nightstand that impart a light and airy look crafted to last for generations. Coordinating upholstered furniture is also available.



Bungalow 1-Drawer Nightstand
#13-1601
21" w x 20" d x 31" h



Shown in Quartersawn Oak with #32 Michaels finish

Bungalow Panel Bed

Popular Sizes:

Twin Panel Bed
#13-1502T 46" x 48"

Full Panel Bed
#13-1502F 64" x 48"

Queen Panel Bed
#13-1502Q 72" x 48"

King Panel Bed
#13-1502K 92" x 48"

Cal King Panel Bed
#13-1502C 84" x 48"



Bungalow Panel Bed w/ Low Footboard

Popular Sizes:

Twin Panel Bed
#13-1502TLF 46" x 48"

Full Panel Bed
#13-1502FLF 64" x 48"

Queen Panel Bed
#13-1502QLF 72" x 48"

King Panel Bed
#13-1502KLF 92" x 48"

Cal King Panel Bed
#13-1502CLF 84" x 48"

Bungalow Spindle Bed

Popular Sizes:

Twin Spindle Bed
#13-1501T 46" x 48"

Full Spindle Bed
#13-1501F 64" x 48"

Queen Spindle Bed
#13-1501Q 70" x 48"

King Spindle Bed
#13-1501K 86" x 48"

Cal King Spindle Bed
#13-1501C 82" x 48"



Bungalow Spindle Bed w/ Low Footboard

Popular Sizes:

Twin Spindle Bed
#13-1501TLF 46" x 48"

Full Spindle Bed
#13-1501FLF 64" x 48"

Queen Spindle Bed
#13-1501QLF 70" x 48"

King Spindle Bed
#13-1501KLF 86" x 48"

Cal King Spindle Bed
#13-1501CLF 82" x 48"

BUNGALOW *Bedroom Collection*

CONTINUED...



Pull-Out Tray

Bungalow 3 Drawer Nightstand
#13-1602
24" w x 20 1/2" d x 31" h



Pull-Out Tray

Bungalow 3 Drawer Chest
#13-1801
34" w x 20 1/2" d x 33" h



Bungalow 9 Drawer Mule Chest
#13-1804
67" w x 20 1/2" d x 38" h



Solid Cedar Drawer Boxes

Bungalow 7 Drawer Dresser
#13-1701
65" w x 20 1/2" d x 35 1/2" h





Bungalow Gentleman's Chest

#13-1805
41" w x 20 1/2" d x 54" h

*1 adjustable shelf behind door



Bungalow 8 Drawer Chest

#13-1802
41" w x 20 1/2" d x 54" h



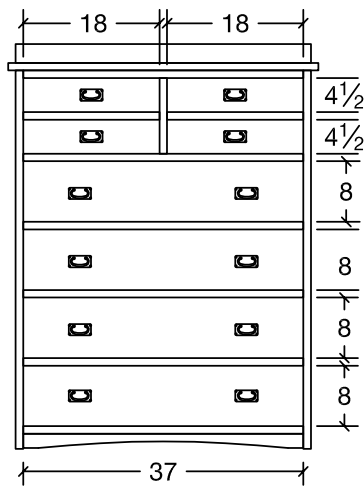
Bungalow Mule Mirror

#13-2002
61" w x 29" h

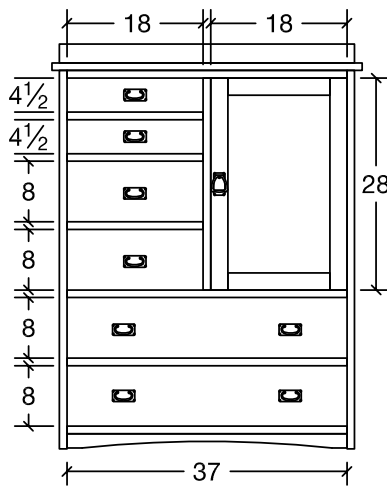
Bungalow Mule Chest

#13-1803
67" w x 20 1/2" d x 46 1/2" h

BUNGALOW BEDROOM COLLECTION SPECIFICATIONS

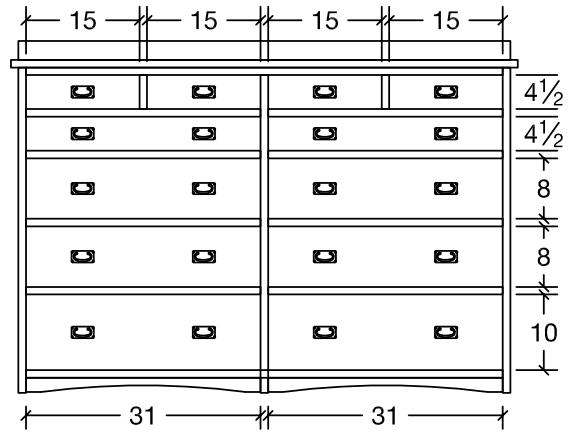


13-1802
8 Drawer Chest
8 Drawers
41w x 20 1/2d x 54h

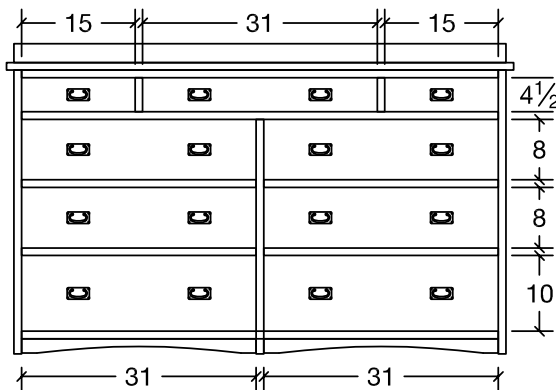


13-1805
Gentlemans Chest
6 Drawers, 1 Door
41w x 20 1/2d x 54h

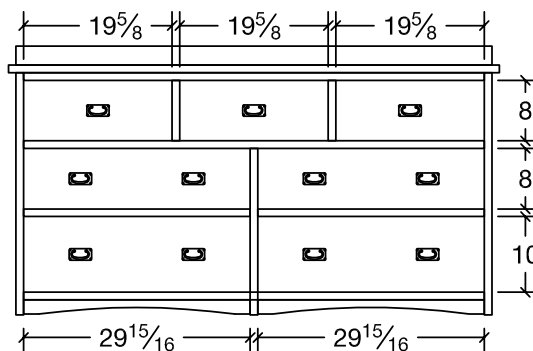
*1 adjustable shelf behind door



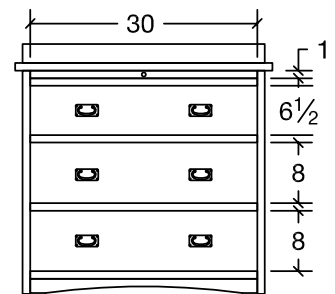
13-1803
Mule Chest
12 Drawers
67w x 20 1/2d x 46 1/2h



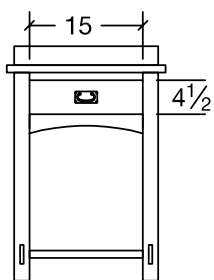
13-1804
9 Drawer Mule Chest
9 Drawers
67w x 20 1/2d x 38h



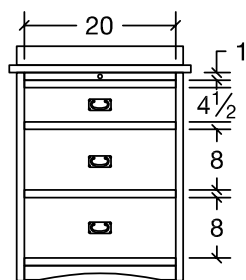
13-1701
7 Drawer Dresser
7 Drawers
65w x 20 1/2d x 35 1/2h



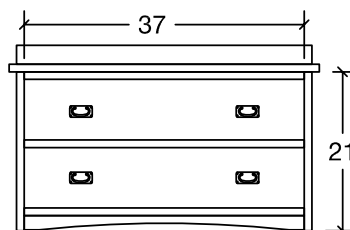
13-1801
3 Drawer Chest
3 Drawers
34w x 20 1/2d x 33h



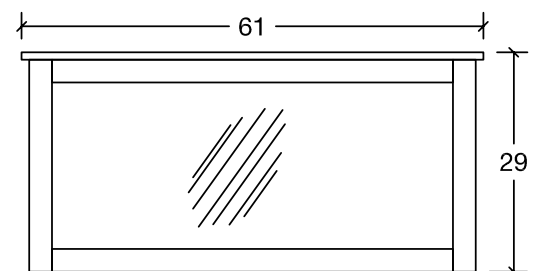
13-1601
1 Drawer Nightstand
1 Drawer
21w x 20d x 31h



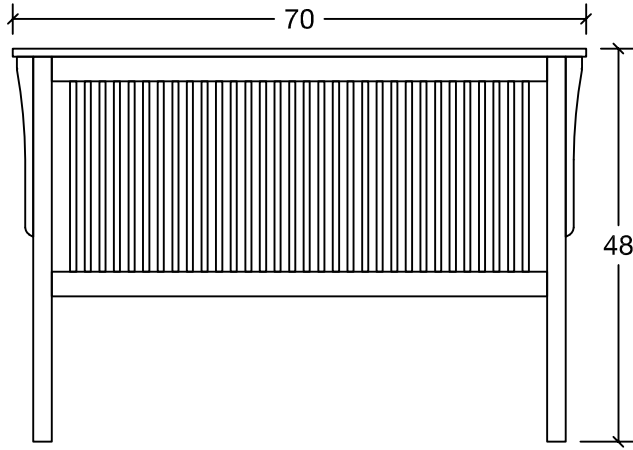
13-1602
3 Drawer Nightstand
3 Drawers
24w x 20 1/2d x 31h



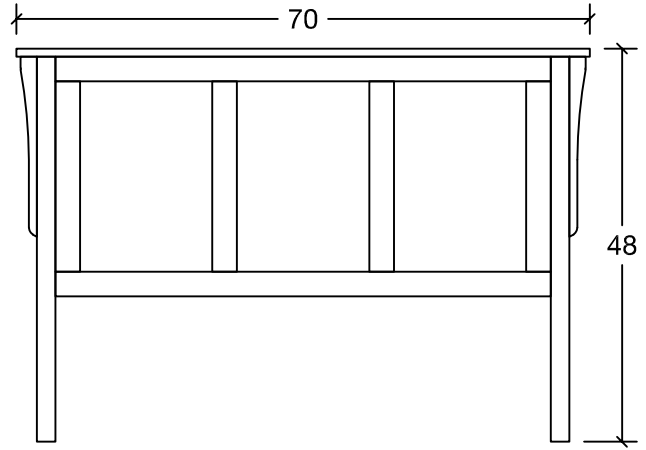
13-2101
Lift Top Blanket Chest
No Drawers
41w x 20 1/2d x 24 1/2h



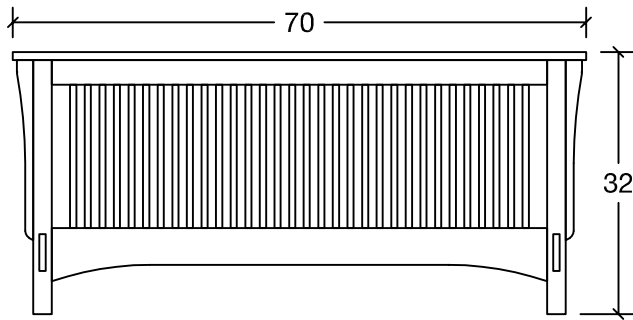
13-2002
Mule Mirror
61w x 29h



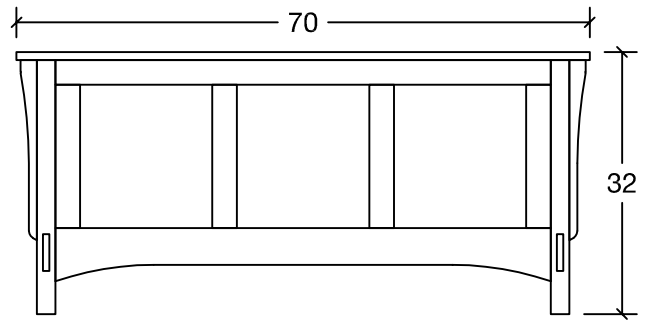
1-13-1501Q
Queen Spindle Headboard
70w x 48h



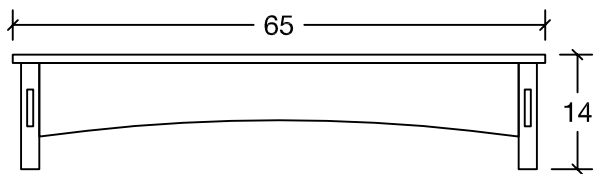
1-13-1502F
Queen Panel Headboard
70w x 48h



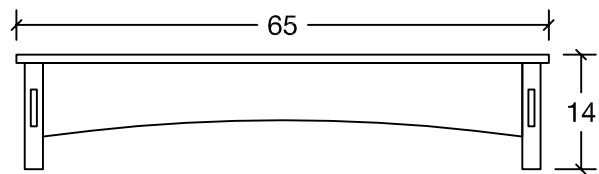
2-13-1501Q
Queen Spindle Footboard
70w x 32h



2-13-1502Q
Queen Panel Footboard
70w x 32h



2-13-1501QLFB
Queen Spindle
Low Footboard
65w x 14h



2-13-1502QLFB
Queen Panel
Low Footboard
65w x 14h

CASTLEBROOK *Bedroom Collection*

COLLECTION FEATURES

- Bevel-cut mirror
- Mortise & tenon joints
- Dovetailed solid wood drawers
- Soft-close full extension drawers
- Solid wood fully framed case goods
- 1 1/4" thick solid tops
- Decorative through tenons
- Yellowheart wood inlays
- W-1 & W-2 hardware is standard
- Mission edge is standard

COLLECTION OPTIONS

- Hardware Options
(see Features & Options page)
- Docking drawer (#DKD)

Castlebrook 1-Drawer Night Stand

#CANS1
25"w x 18 1/2"d x 30 1/4"h



Castlebrook 3-Drawer Night Stand

#CANS3
25"w x 18 1/2"d x 30 1/4"h



Inlays are standard

Castlebrook Panel Bed

Headboard 56 1/4"h
Footboard 31 1/4"h
#CCAKB Cal King 81 1/4"w x 91 1/2"d
#CAKB King 85 1/4"w x 87 1/2"d
#CAQB Queen 69 1/4"w x 87 1/2"d
#CAFB Full 63 1/4"w x 82"d
#CATB Twin 50 1/4"w x 82"d





**Castlebrook
6 Drawer Chest**
#CACD
41" w x 22" d x 53 1/4" h

**Castlebrook
32" Mirror**
#CAMR32
51" w x 2 1/2" d x 32" h



**Castlebrook
9-Drawer Dresser**
#CA9DR
65" w x 22" d x 43" h



**Castlebrook His & Hers Chest
7 Drawer, 2 Door**
#CAHHC
53" w x 22" d x 50 1/2" h

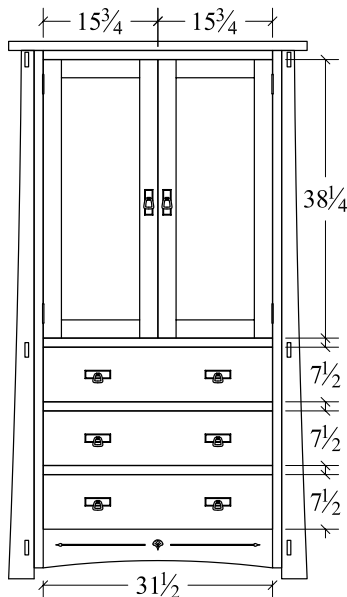
*1 shelf behind
each door

Castlebrook 40" Mirror
#CAMR40
51" w x 2 1/2" d x 40 1/2" h

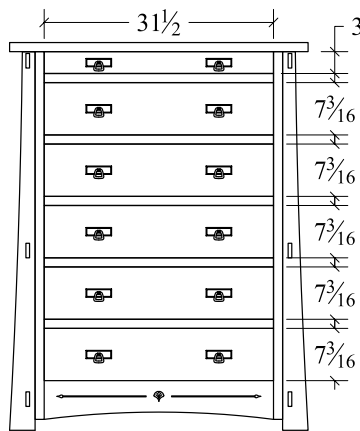


**Castlebrook 7-Drawer
Dresser**
#CA7DR
65" w x 22" d x 33 1/4" h

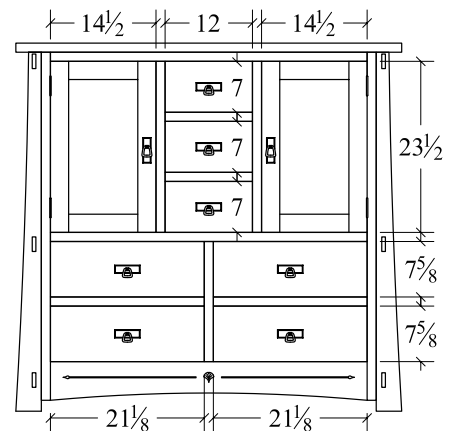
CASTLEBROOK BEDROOM COLLECTION SPECIFICATIONS



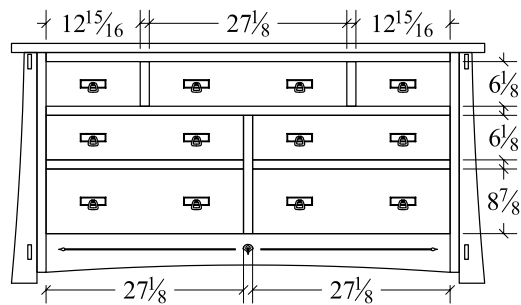
Armoire (CAAR)
3 drawer, 2 door
41w x 22d x 74h
*2 shelves



Chest (CACD)
6 drawer
41w x 22d x 53 1/4h

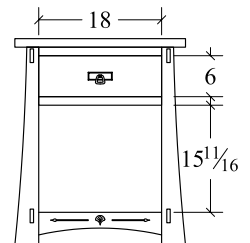


His & Hers Chest (CAHHC)
7 drawer, 2 door
53w x 22d x 50 1/2h
*1 shelf behind each door

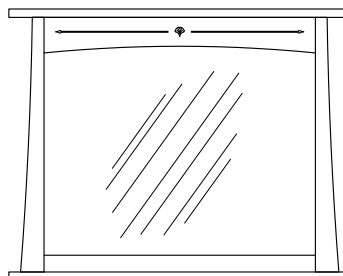


Dresser (CA9DR)
9 drawer
65w x 22d x 43h

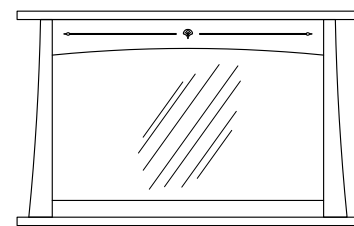
Dresser (CA7DR)
7 drawer
65w x 22d x 33 1/4h



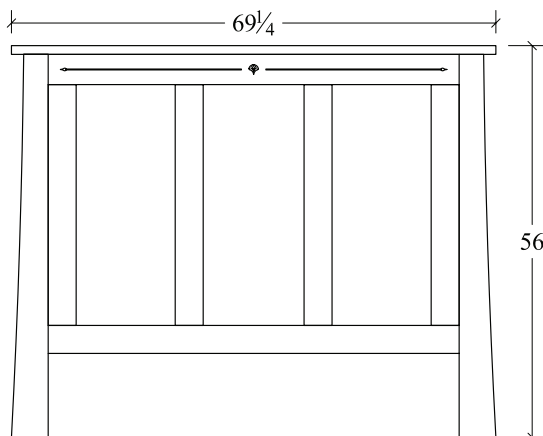
Night Stand (CANS1)
1 drawer, 1 opening
25w x 18 1/2d x 30 1/4h



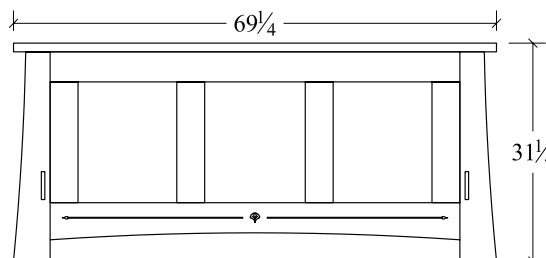
Mirror (CAMR40)
51w x 40 1/2h



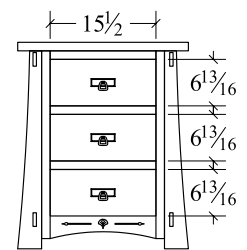
Mirror (CAMR32)
51w x 32h



Queen Headboard (MS-PB-Q)
69 1/4w x 56h



Queen Footboard (MS-PB-Q)
69 1/4w x 31 1/4h



Night Stand (CANS3)
3 drawer
25w x 18 1/2d x 30 1/4h

CEDAR LAKES *Bedroom Collection*

COLLECTION FEATURES

- Iron Bolt Detail
- Mirrors have bevel cut edges
- Constructed with mortise and tenon joints
- Cast dovetailed brackets support mattress
- Dovetailed solid wood drawers
- Soft-closing full extension undermount drawer guides
- Chest features a cedar lined drawer bottom
- Dresser features dividers in second row drawers
- A-5 pulls and A-6 Knobs
- Bolts in corners will always be black, no other color options

COLLECTION OPTIONS

- Distressed Finish (#2D)
- Hardware Options
(see Features & Options page)
- Underbed Storage Options
- LED nightlight (#LEDN)
- Docking drawer with power (#DKD)
- Additional drawer dividers for dressers (#DD)
- Dresser drawer available with felt lined jewelry tray (#SJT)
- Additional cedar lined drawers available (#CB)



Cedar Lakes
1-Drawer Night Stand
#CLNS1
26" w x 16 1/2" d x 30" h



Shown in Oak with #100 Pebble Finish



**Cedar Lakes
60" Dresser Mirror**
#CLMR
42"w x 38 1/2"h



**Cedar Lakes
6 Drawer Chest**
#CLCD
38"w x 19" d x 53"h

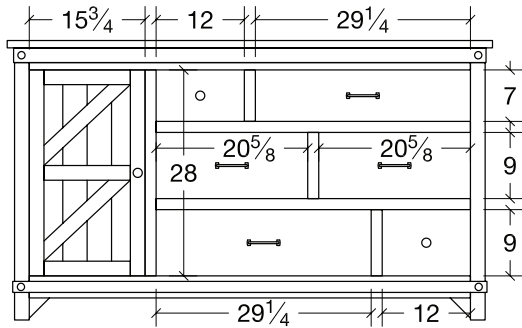


**Cedar Lakes
60" Dresser**
#CLDR60
60"w x 19" d x 38"h

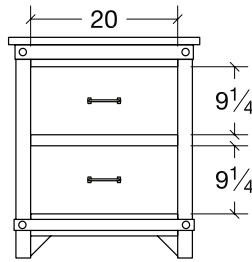


Cedar Lakes Bed
Headboard 60"h
Footboard 18"h
#CCLCKB Cal. King Bed 77 1/2"w x 90"d
#CLKB King Bed 81 1/2"w x 86"d
#CLOB Queen Bed 65 1/2"w x 86"d
#CLFB Full Bed 59 1/2"w x 80"d
#CLTB Twin Bed 44 1/2"w x 80"d

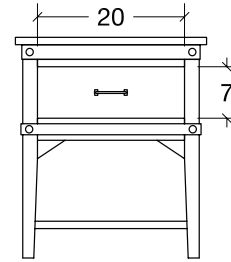
CEDAR LAKES BEDROOM COLLECTION SPECIFICATIONS



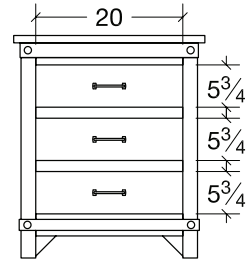
Door Dresser (CLDDR)
6 drawer, 1 door
66w x 19d x 38h
*1 shelf behind door



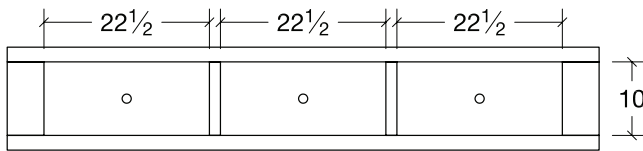
Night Chest (CLNS2)
2 drawer
26w x 16 1/2d x 30h



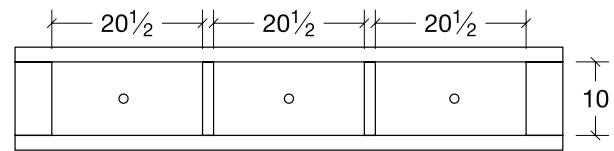
Night Table (CLNS1)
1 drawer, 1 Shelf
26w x 16 1/2d x 30h



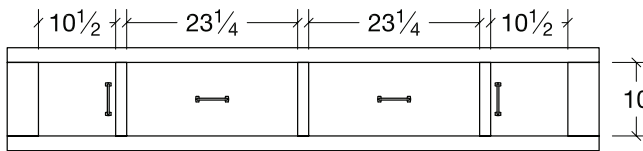
Night Stand (CLNS3)
3 drawer
26w x 16 1/2d x 30h



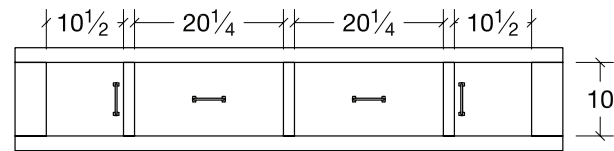
Storage Rail, King and Queen
3 drawer
80 1/2w x 14h



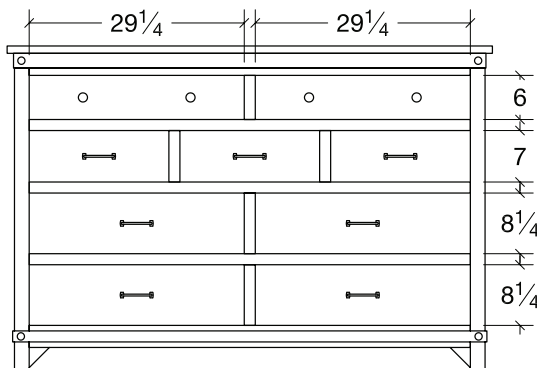
Storage Rail, Full
3 drawer
74 1/2w x 14h



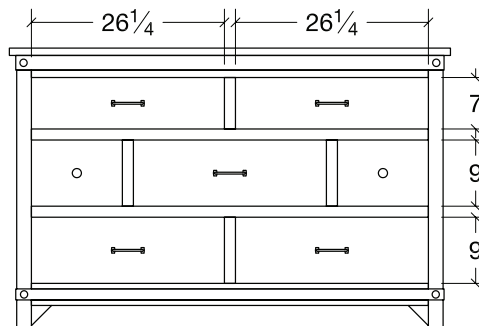
Storage Rail, King and Queen
2 drawer, 2 door
80 1/2w x 14h



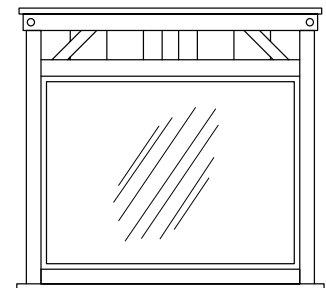
Storage Rail, Full
2 drawer, 2 door
74 1/2w x 14h



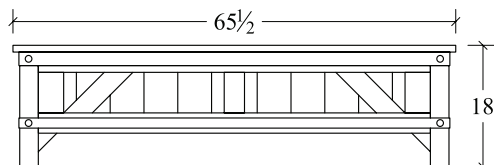
Tall Dresser (CL9DR)
9 drawer
66w x 19d x 44h



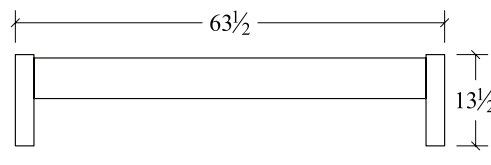
Dresser (CLDR60)
7 drawer
60w x 19d x 38h



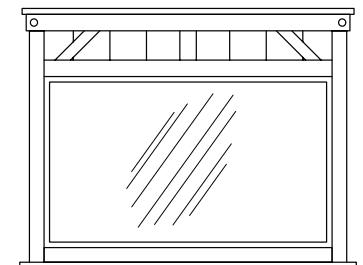
Dresser Mirror (CLMR)
42w x 38 1/2h



Queen Footboard (CLQB)
65 1/2w x 30h



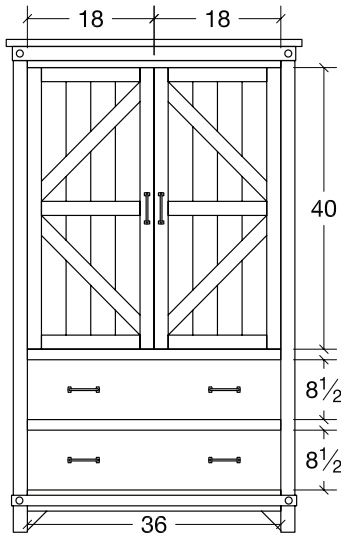
Queen Low Footboard (CLQB)
63 1/2w x 13 1/2h



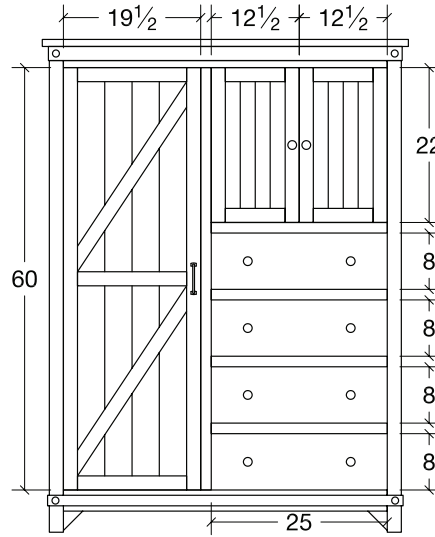
Dresser Mirror (CLMR 46)
46w x 35 1/2h

CEDAR LAKES

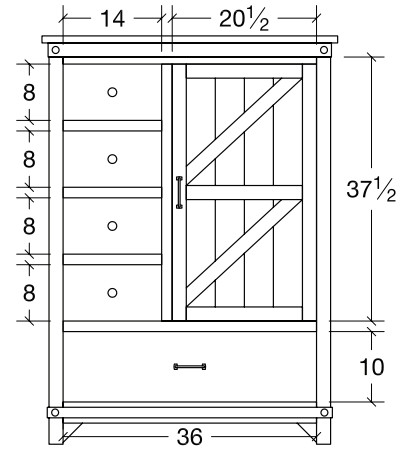
BEDROOM COLLECTION SPECIFICATIONS



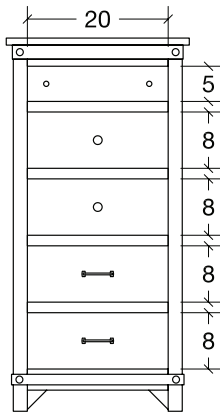
Armoire (CLAR)
2 drawer, 2 door
42w x 22d x 70h
*2 shelves



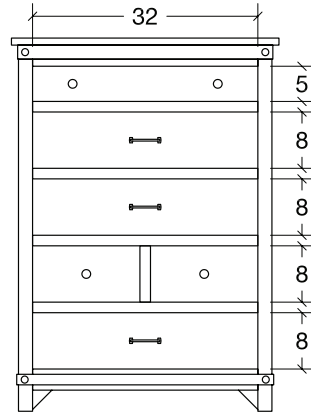
Chifferobe (CLCB)
4 drawer, 3 door
52w x 22d x 70h
*3 shelves and 1 rod behind long door
*1 shelf behind small doors



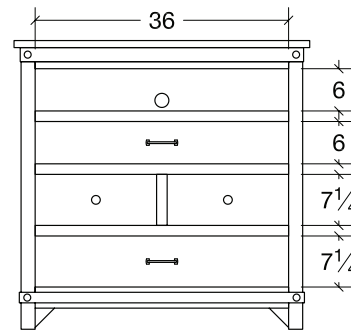
Door Chest (CLDRC)
5 drawer, 1 door
42w x 19d x 58h
*2 shelves



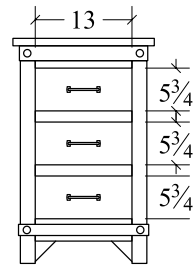
Lingerie Chest (CLLC)
5 drawer
26w x 16 1/2d x 53h



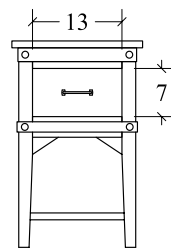
Drawer Chest (CLCD)
6 drawer
38w x 19d x 53h



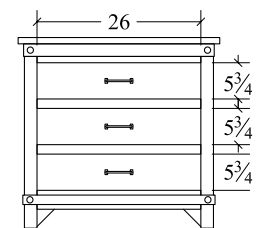
Media Chest (CLMC)
4 drawer
42w x 19d x 41h



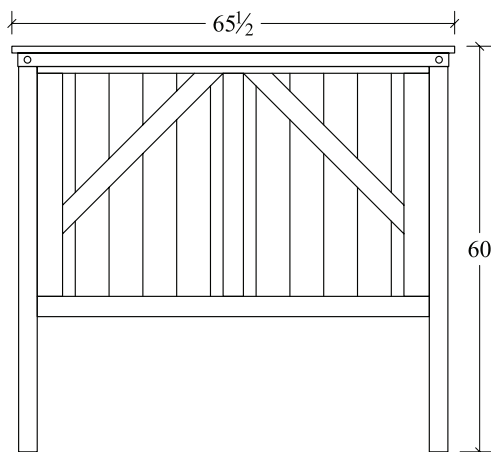
Night Stand (CLNS319)
3 drawer
19w x 16 1/2d x 30h



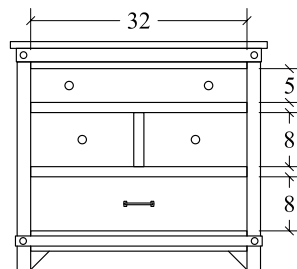
Night Table (CLNS119)
1 drawer, 1 Shelf
19w x 16 1/2d x 30h



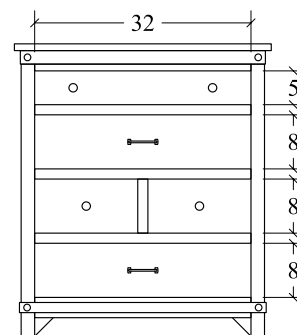
Night Stand (CLNS332)
3 drawer
32w x 16 1/2d x 30h



Queen Headboard (CLQB)
65 1/2w x 60h



Drawer Chest (CLCD4)
4 drawer
38w x 19d x 34h



Drawer Chest (CLCD5)
5 drawer
38w x 19d x 43 1/2h



DELRIDGE *Bedroom Collection*

COLLECTION FEATURES

- Saw Marks & Grooved Panels
- Mirrors have bevel cut edges
- Constructed with mortise and tenon joints
- Cast dovetailed brackets support mattress
- Dovetailed solid wood drawers
- Soft-closing full extension undermount drawer guides
- Chest features a cedar lined drawer bottom
- Dresser features dividers in second row drawers
- Pewter Hardware, not available on other collections

COLLECTION OPTIONS

- Distressed Finish (#2D)
- Hardware Options (see Features & Options page)
- Underbed Storage Options
- LED nightlight (#LEDN)
- Docking drawer with power (#DKD)
- Additional drawer dividers for dressers (#DD)
- Dresser drawer available with felt lined jewelry tray (#SJT)
- Additional cedar lined drawers available (#CB)

**Delridge cannot have sliding top option*

- Collection is available in all finishes however it is recommended in either New Century or Rustic Bourbon finish due to rustic detail.

**Hardware not available on other collections*

Delridge 3 Drawer Nightstand

#DENS3

26" w x 16 1/2" d x 29" h



Brown Maple with #103 Dew distressed finish



**Delridge
His & Hers Chest**
#DEHHC
48" w x 19" d x 64 1/4" h
*2 shelves behind doors



**Delridge
60" Dresser Mirror**
#DEMR
41" w x 39 1/2" h



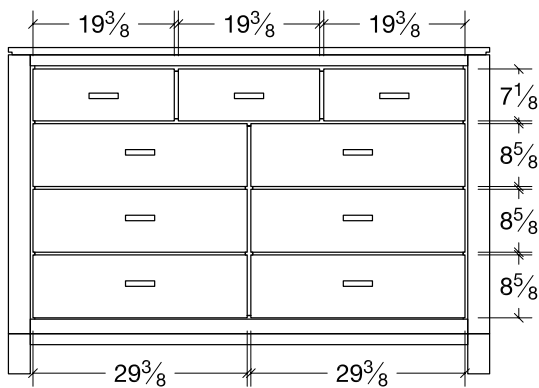
**Delridge 60"
6 Drawer Dresser**
#DEDR60
60" w x 19" d x 38" h



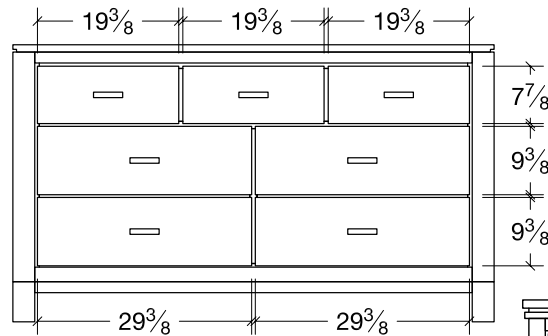
Delridge Bed
Headboard 58" h
Footboard 20" h
#DECKB Cal. King Bed 76" w x 89 1/2" d
#DEKB King Bed 80" w x 85 1/2" d
#DEQB Queen Bed 64" w x 85 1/2" d
#DEFB Full Bed 58" w x 79 1/2" d
#DETB Twin Bed 43" w x 79 1/2" d

DELRIDGE

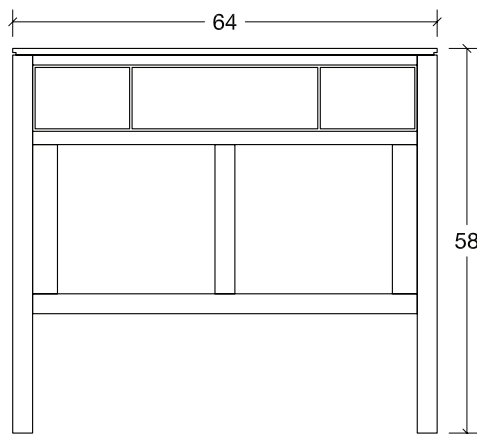
BEDROOM COLLECTION SPECIFICATIONS



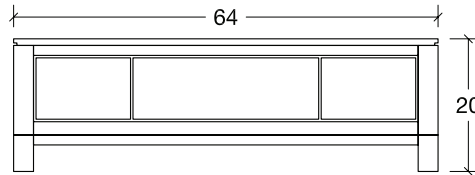
Dresser (DEDR9)
9 drawer
66w x 19d x 45h



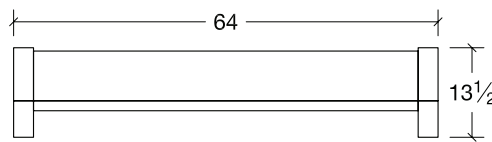
Dresser (DE7DR66)
7 drawer
66w x 19d x 38h



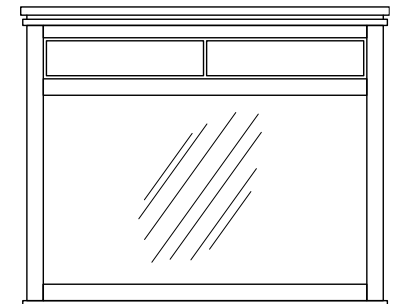
Queen Headboard (DEQB)
64w x 58h



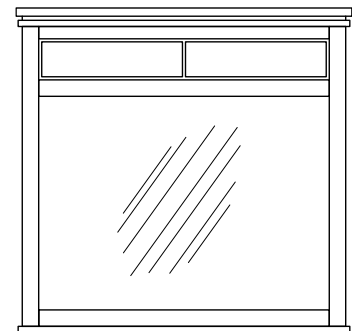
Queen Footboard (DEQB)
64w x 20h



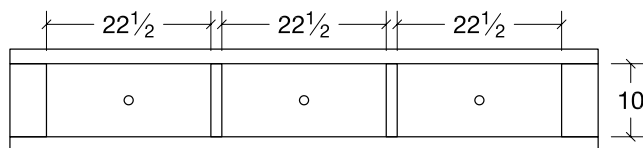
Queen Low Footboard (DEQB)
64w x 13 1/2h



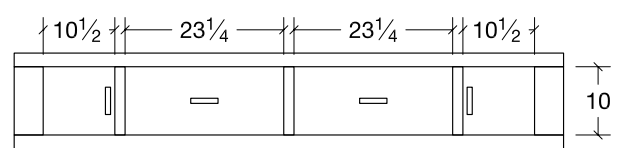
Mirror (DEMR 45)
45w x 36 1/2h



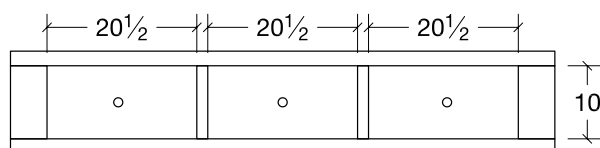
Mirror (DEMR)
41w x 39 1/2h



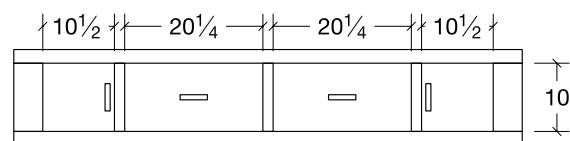
Storage Rail, King and Queen
3 drawer
80 1/2w x 14h



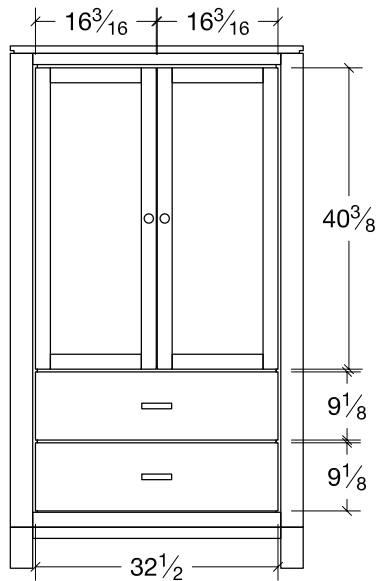
Storage Rail, King and Queen
2 drawer, 2 door
80 1/2w x 14h



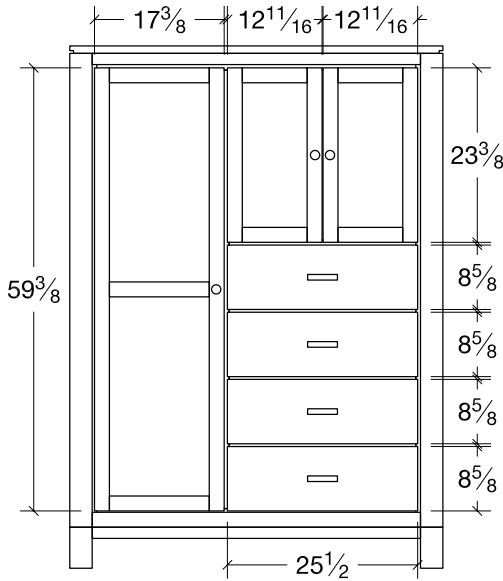
Storage Rail, Full
3 drawer
74 1/2w x 14h



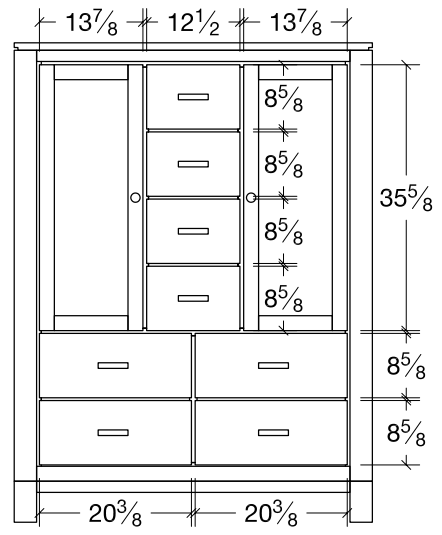
Storage Rail, Full
2 drawer, 2 door
74 1/2w x 14h



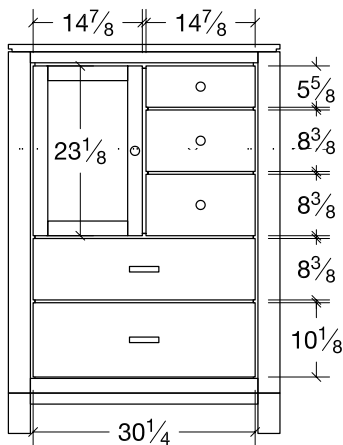
Armoire (DEAR) *2 shelves
2 drawer, 2 door
39 1/4w x 21 1/2d x 70h



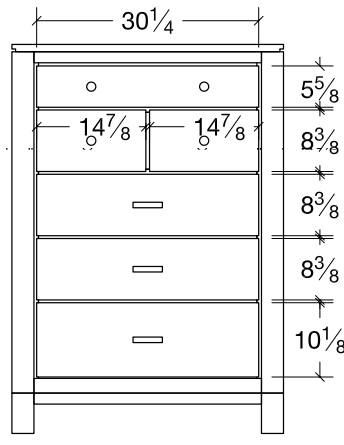
Chifferobe (DEBC) *1 shelf behind small doors
*3 shelves and 1 rod behind long door
4 drawer, 3 door
50w x 21 1/2d x 70h



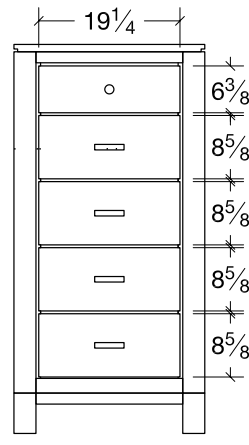
His - Hers Chest (DEHHC) *2 shelves behind doors
8 drawer, 2 door
48w x 19d x 64 1/4h



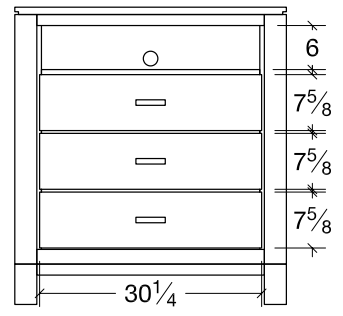
Door Chest (DEDRC) *1 shelf
5 drawer, 1 door
37w x 19d x 53h



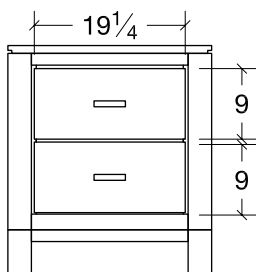
Chest (DECD)
6 drawer
37w x 19d x 53h



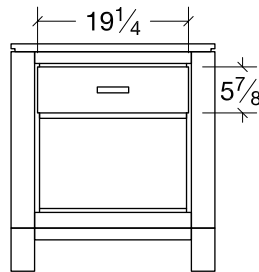
Lingerie Chest (DEL)
5 drawer
26w x 16 1/2d x 53h



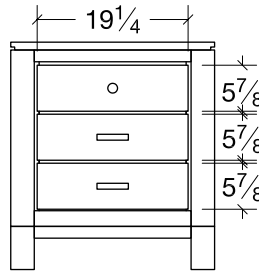
Media Chest (DEMC)
3 drawer
37w x 19d x 40 1/2h



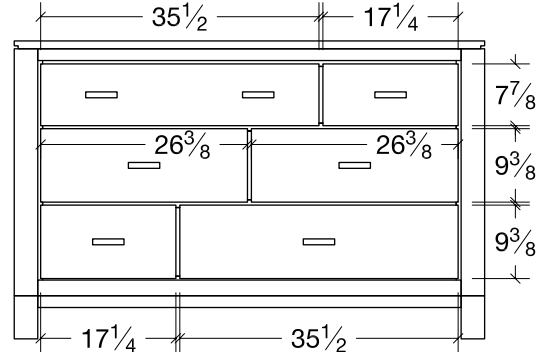
Night Stand (DENS2)
2 drawer
26w x 16 1/2d x 29h



Night Stand (DENS1)
1 drawer
26w x 16 1/2d x 29h



Night Stand (DENS3)
3 drawer
26w x 16 1/2d x 29h



Dresser (DEDR)
6 drawer
60w x 19d x 38h

EMMA *Bedroom Collection*

COLLECTION FEATURES

- Constructed with mortise and tenon joints
- Cast dovetailed brackets support mattress
- Dovetailed, solid wood drawers
- Full extension, side mounted, ball-bearing guides
- Hardware not available on other collections

COLLECTION OPTIONS

- Hardware options (see Features & Options page)
- Underbed storage available



Emma
3-Drawer Nightstand
#EANS3
23" w x 17" d x 28 1/2" h



Shown in Oak with #116 Cider finish

Emma 6 Drawer Chest
#EACD
37" w x 21 1/2" d x 51 1/2" h



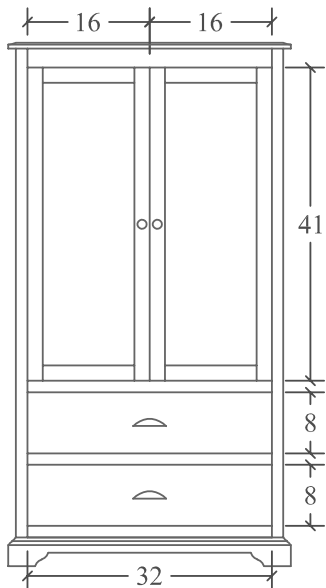
Emma Mirror
#EAMR
37 5/8" w x 33 5/8" h

**Emma
7-Drawer Dresser**
#EADR
60" w x 21 1/2" d x 36 1/2" h

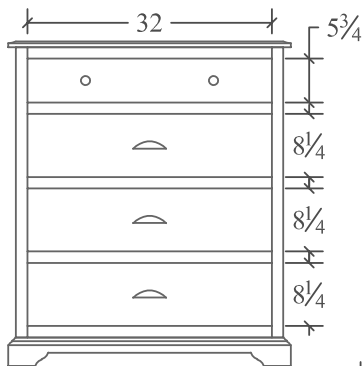
Emma Bed
Headboard 54" h
Footboard 19" h
#CEAKB Cal. King Bed 78" w
#EAKB King Bed 82" w
#EAQB Queen Bed 66" w
#EAFB Full Bed 60" w
#EATB Twin Bed 45" w



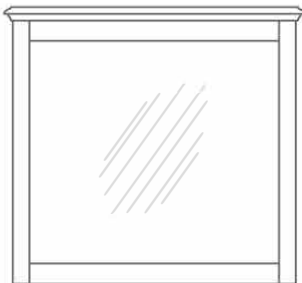
EMMA BEDROOM COLLECTION SPECIFICATIONS



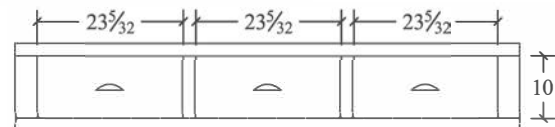
Armoire (EAAR)
2 drawer, 2 door
37w x 21 1/2d x 68 1/2h



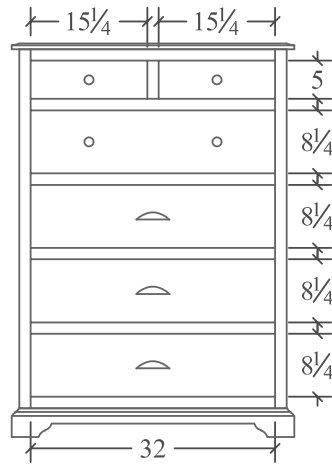
Media Chest (EAMC)
3 drawer, 1 opening
37w x 21 1/2d x 42 1/2h



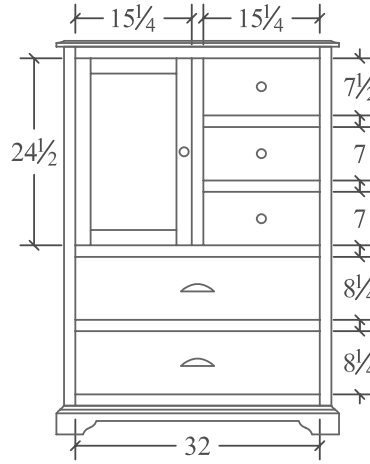
Mirror (EAMR)
37 5/8w x 33 5/8h



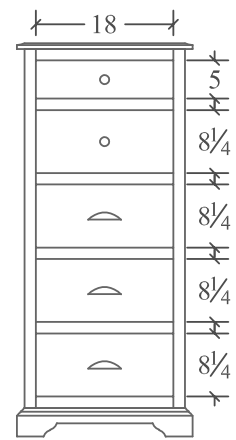
Storage Rail (EARS3)
3 drawer
80 1/2w x 14h



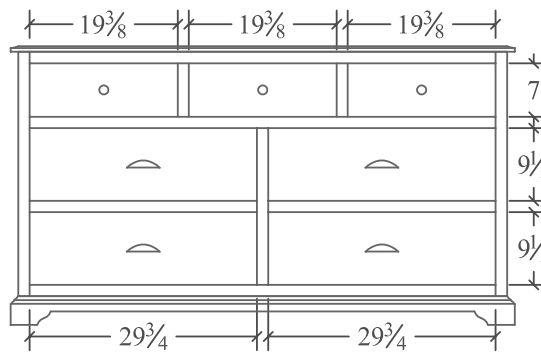
Chest (EACD)
6 drawer
37w x 21 1/2d x 51 1/2h



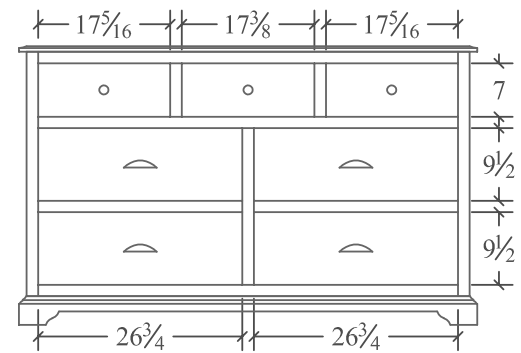
Door Chest (EADRC)
5 drawer, 1 door
37w x 21 1/2d x 51 1/2h



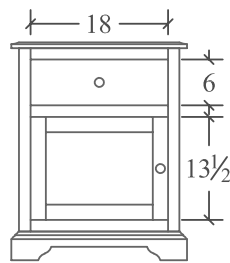
Lingerie Chest (EALC)
5 drawer
23w x 17d x 51 1/2h



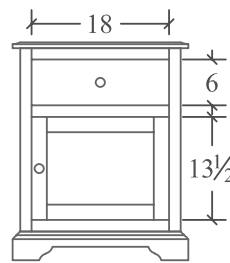
Dresser (EADR66)
7 drawer
66w x 21 1/2d x 36 1/2h



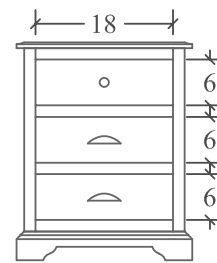
Dresser (EADR)
7 drawer
60w x 21 1/2d x 36 1/2h



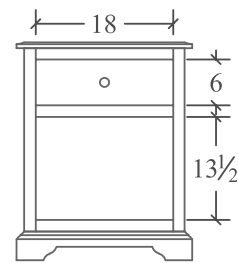
Night Stand (EANS11L)
1 drawer, 1 door
23w x 17d x 28 1/2h



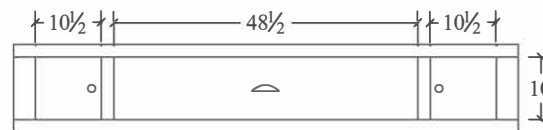
Night Stand (EANS11R)
1 drawer, 1 door
23w x 17d x 28 1/2h



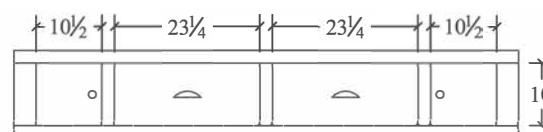
Night Stand (EANS3)
3 drawer
23w x 17d x 28 1/2h



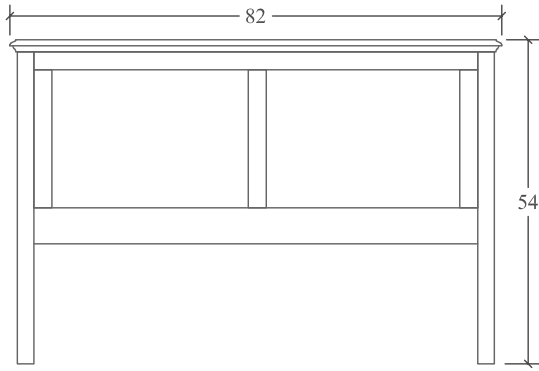
Night Stand (EANS1)
1 drawer
23w x 17d x 28 1/2h



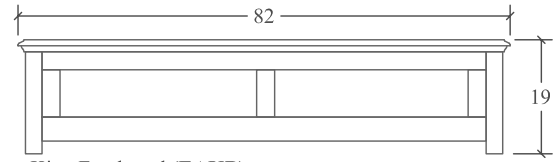
Storage Rail (EARS1)
1 drawer, 2 door
80 1/2w x 14h



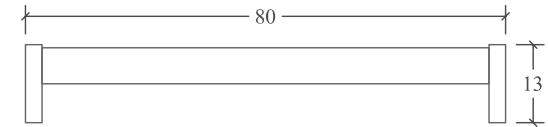
Storage Rail (EARS)
2 drawer, 2 door
80 1/2w x 14h



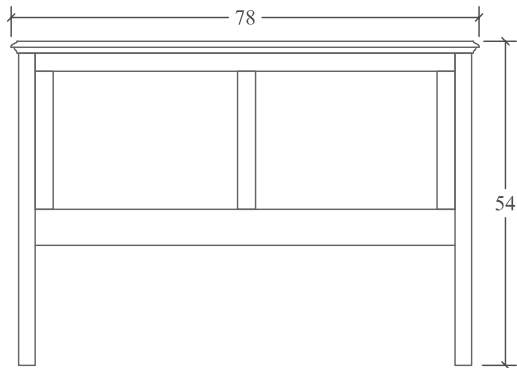
King Headboard (EAKB)
82w x 54h



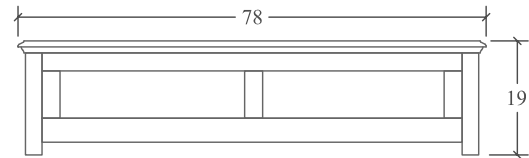
King Footboard (EAKB)
82w x 19h



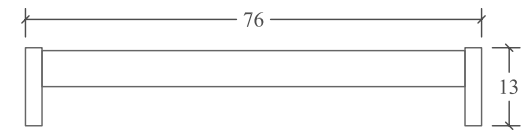
King Low Footboard (EAKB)
76w x 13h



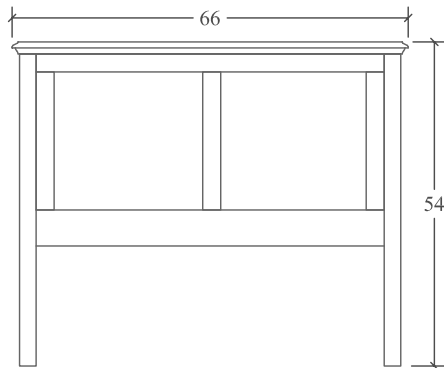
California King Headboard (CEAKB)
78w x 54h



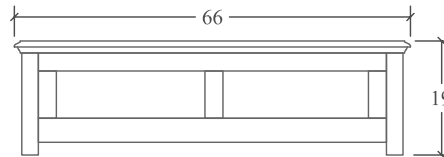
California King Footboard (CEAKB)
78w x 19h



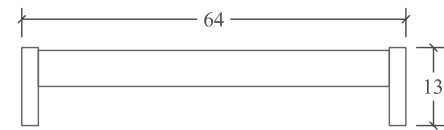
California King Low Footboard (CEAKB)
76w x 13h



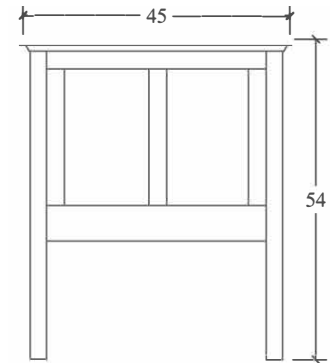
Queen Headboard (EAQB)
66w x 54h



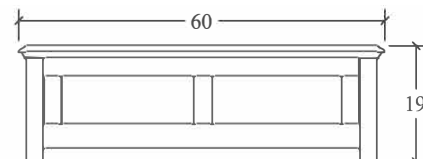
Queen Footboard (EAQB)
66w x 19h



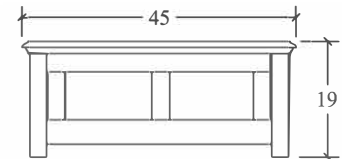
Queen Low Footboard (EAQB)
64w x 13h



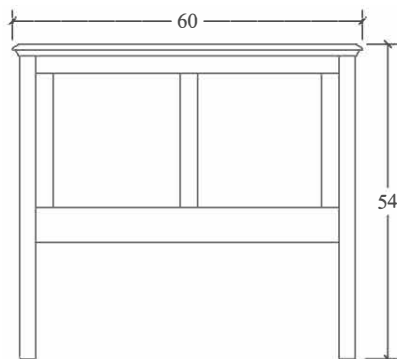
Twin Headboard (EATB)
45w x 54h



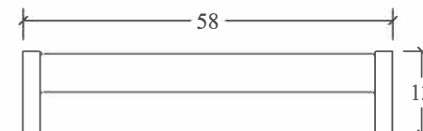
Full Footboard (EAFB)
60w x 19h



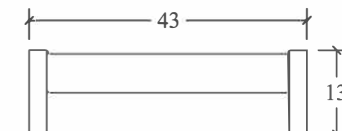
Twin Footboard (EATB)
45w x 19h



Full Headboard (EAFB)
60w x 54h



Full Low Footboard (EAFB)
58w x 13h



Twin Low Footboard (EATB)
43w x 13h

GRANDVIEW *Bedroom Collection*

COLLECTION FEATURES

- Mirrors have bevel cut edges
- Constructed with mortise and tenon joints
- Dovetailed, solid wood drawers
- Soft-closing, full extension, undermount drawer guides
- Hardware not available on other collections

COLLECTION OPTIONS

- Low footboard option
- Distressed finish (#2D)
- Underbed storage options
- Hardware options



**Grandview 3-Drawer
Nightstand**
#GVNS3
30" w x 17" d x 32 1/4" h



Oak with #51 Autumn finish

Grandview Mirror
#GVMR
42" w x 29 1/4" h

**Grandview
9-Drawer Dresser**
#GV9DR
66" w x 20" d x 42" h

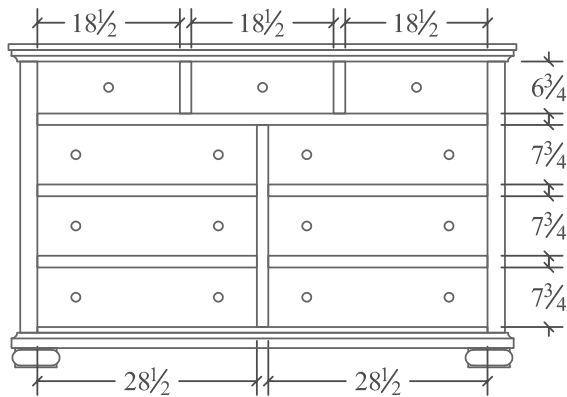


**Grandview
6-Drawer Chest**
#GVCD
42" w x 20" d x 52 1/4" h

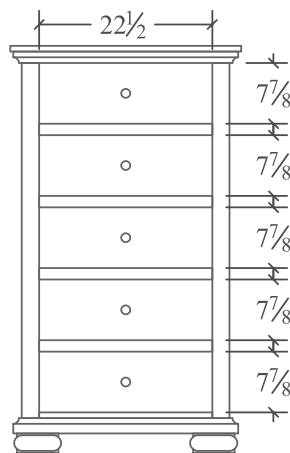


Grandview Bed
Headboard: 68 1/2" h
Footboard: 22 5/8" h
#GVKB- 84 3/4" w
#GVQB- 67 1/2" w

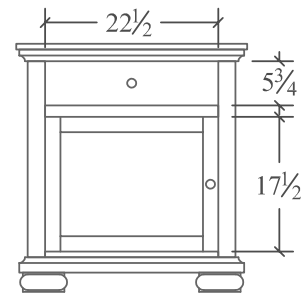
GRANDVIEW BEDROOM COLLECTION SPECIFICATIONS



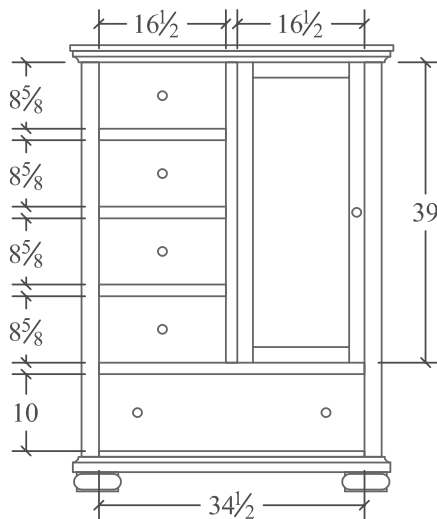
Dresser (GV9DR)
9 drawer
66w x 20d x 42h



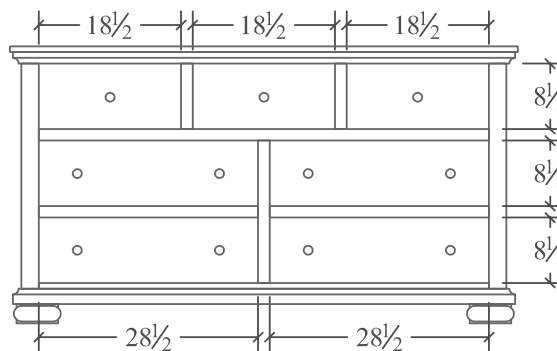
Lingerie Chest (GVLC)
5 drawer
26w x 17d x 53h



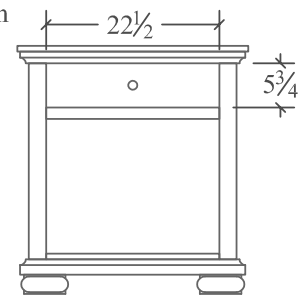
Night Stand (GVNS11L)
1 drawer, 1 door
30w x 17d x 32 1/4h



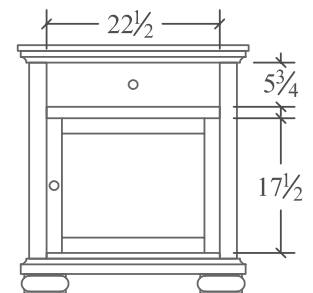
Door Chest (GVDR)
5 drawer, 1 door
42w x 20d x 58h



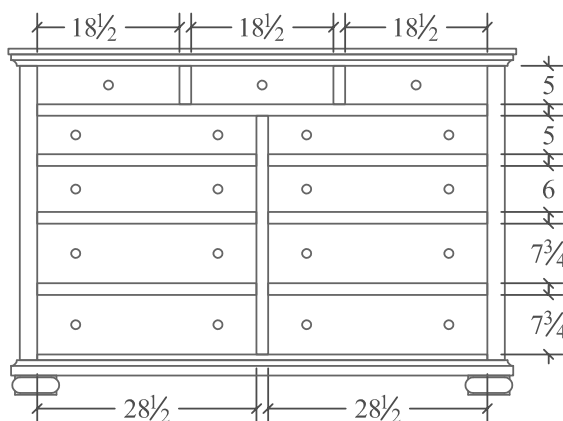
Dresser (GVDR)
7 drawer
66w x 20d x 36h



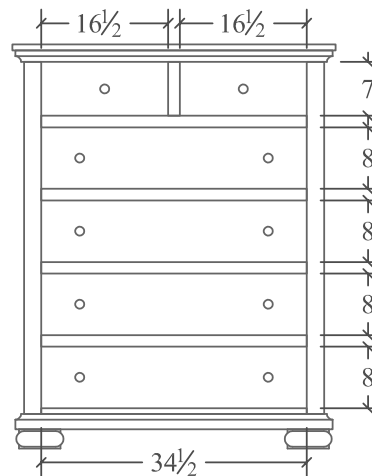
Night Stand (GVNS3)
1 drawer
30w x 17d x 32 1/4h



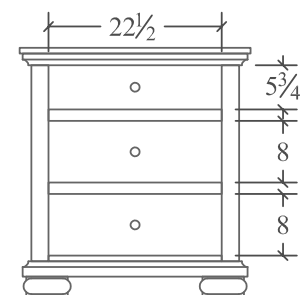
Night Stand (GVNS11R)
1 drawer, 1 door
30w x 17d x 32 1/4h



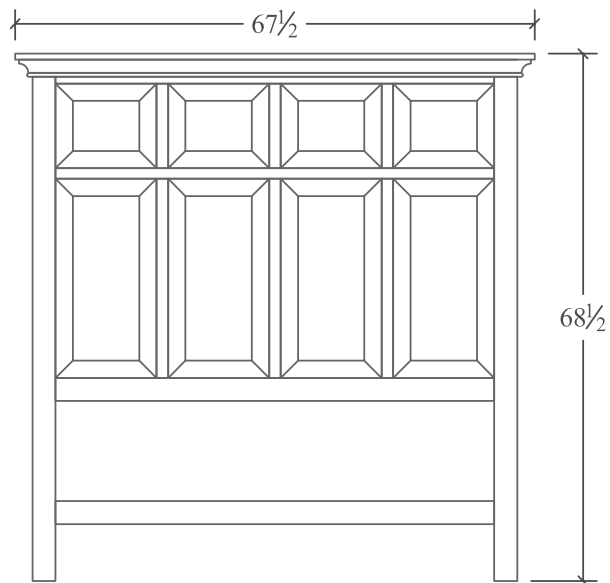
Mule Dresser (GVMDR)
11 drawer
66w x 20d x 45h



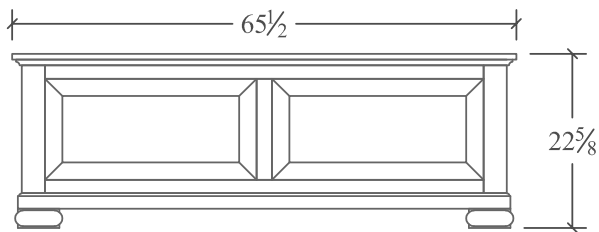
Chest (GVCD)
6 drawer
42w x 20d x 52 1/4h



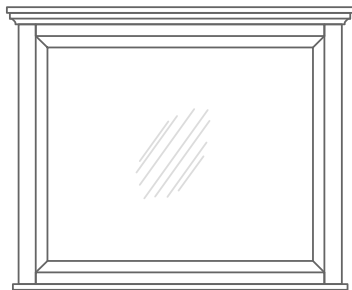
Night Stand (GVNS3)
3 drawer
30w x 17d x 32 1/4h



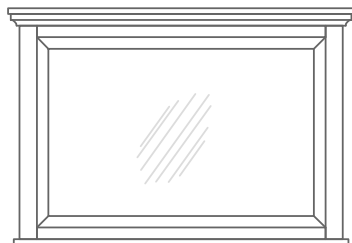
Queen Headboard (GVQB)
67 1/2w x 68 1/2h



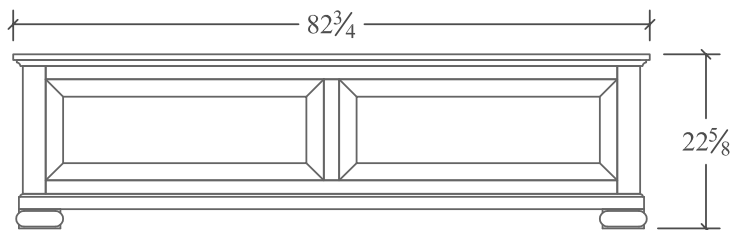
Queen Footboard (GVQB)
65 1/2w x 22 5/8h



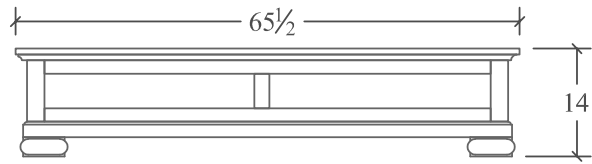
Tall Mirror (GVTMR)
42w x 35 1/4h



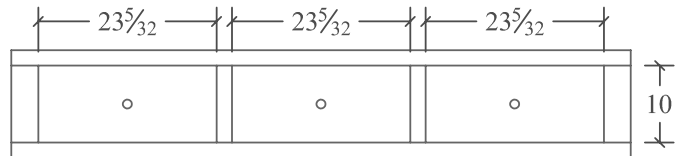
Mirror (GVMR)
42w x 29 1/4h



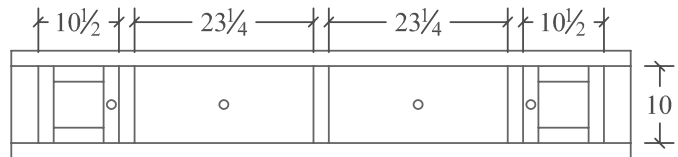
King Footboard (GVKB)
82 3/4w x 22 5/8h



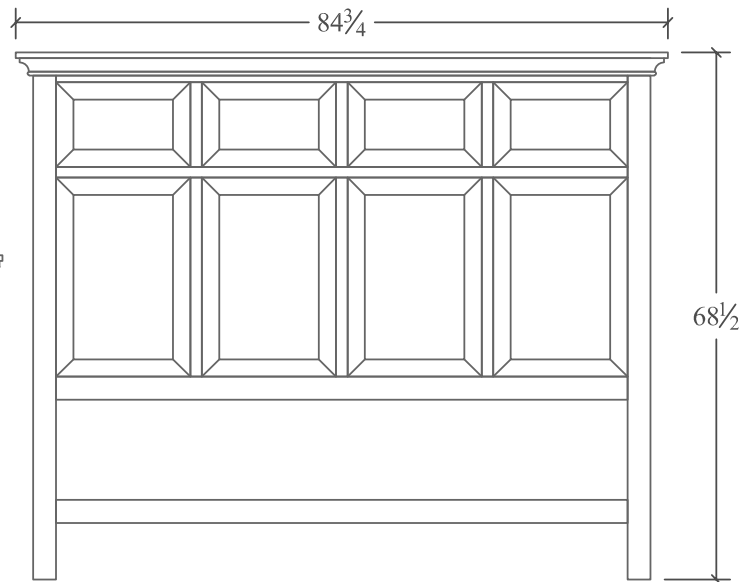
Queen Low Footboard (GVQB)
65 1/2w x 14h



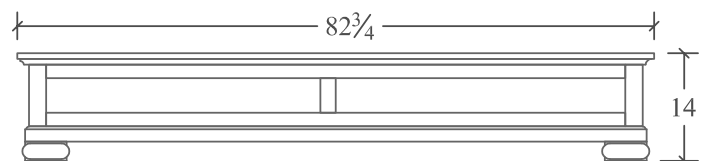
Storage Rail (GVRS3)
3 drawer
80 1/2w x 14h



Storage Rail (GVRS)
2 drawer, 2 door
80 1/2w x 14h



King Headboard (GVKB)
84 3/4w x 68 1/2h



King Low Footboard (GVKB)
82 3/4w x 14h

HAYWORTH *Bedroom Collection*

COLLECTION FEATURES

- Mirror has a bevel-cut edge
- Constructed with mortise and tenon joints
- Cast dovetailed brackets support mattress
- Dovetailed, solid wood drawers
- Soft-closing, full extension, undermount drawer guides
- Case goods are fully framed, solid wood
- Bevel edge is standard

- Case goods are built with floating panel construction
- Case goods feature 1" solid top
- Armoire features 2 solid hardwood, adjustable shelves
- Chest features a cedar-lined bottom drawer
- Dresser features dividers in second row drawers
- N-14 Black Hardware

COLLECTION OPTIONS

- Distressed finish (#2D)
- Hardware options - See hardware page in Features & Options section
- Foot rail instead of footboard (#1FD)
- 6 Drawer under bed storage unit (#2RS)
- Armoire available with 1 hanger rod instead of 2 adjustable shelves

- Additional drawer dividers available in Chest or Dresser (#DD)
- Additional cedar-lined drawers available (#CB)
- Docking drawer (#DKD)



Hayworth Night Stand

#HYNS
27" w x 18" d x 30" h



Shown in Cherry with #68 Hazelnut & N-14 Black Hardware

Hayworth 6 Drawer Chest on Chest
#HYCDC
40"w x 22"d x 61"h



Hayworth Mirror
#HYMR
50"w x 32"h



Hayworth 10 Drawer Dresser
#HYDR
66"w x 22"d x 45"h



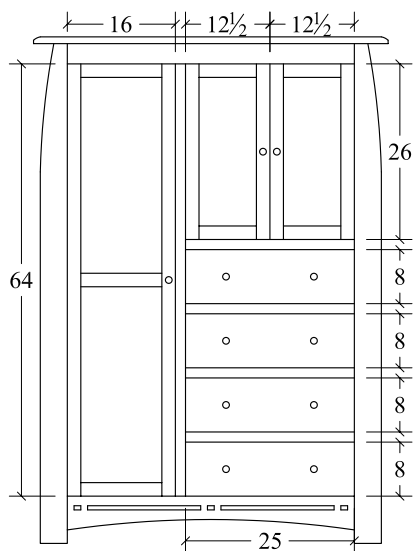
Hayworth Armoire
#HYAR
41"w x 22"d x 75"h
*2 shelves



Hayworth Bed
Headboard: 56" h
Footboard: 31" h
#CHYKB Cal. King: 78" w x 91" d
#HYKB King: 83" w x 87" d
#HYQB Queen: 67" w x 87" d
#HYFB Full: 61" w x 81" d

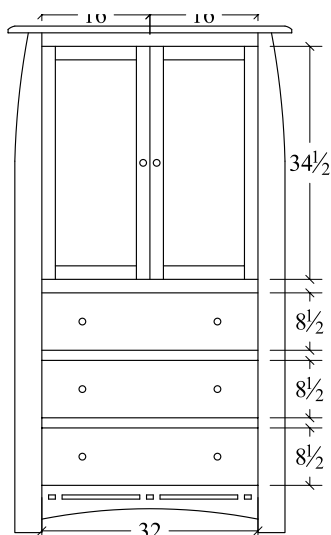


HAYWORTH BEDROOM COLLECTION SPECIFICATIONS



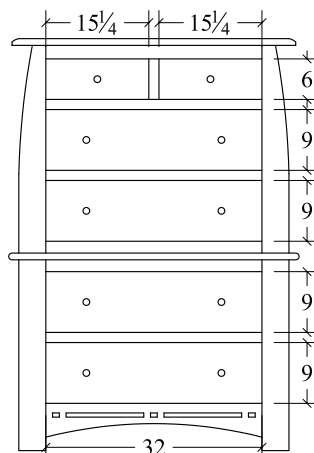
Chifferobe (HYCB)

4 drawer, 3 door
52½w x 22d x 75h
*1 shelf behind small doors
*3 shelves and 1 rod behind long door



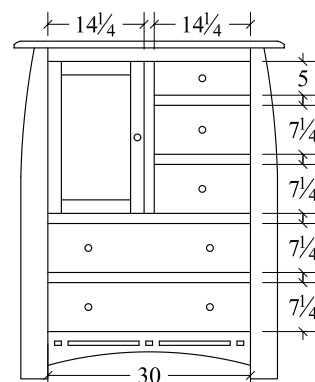
Armoire (HYAR)

3 drawer, 2 door
42w x 22d x 75h
*2 shelves



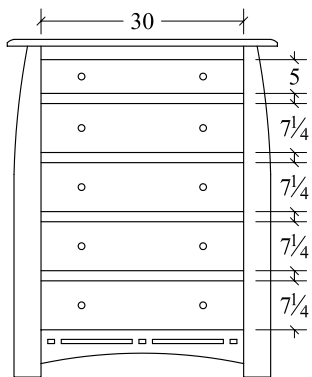
Chest on Chest (HYCDC)

6 drawer
42w x 22d x 61h



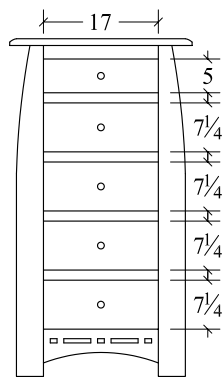
Door Chest (HYDC)

5 drawer, 1 door
40w x 22d x 50h
*1 shelf



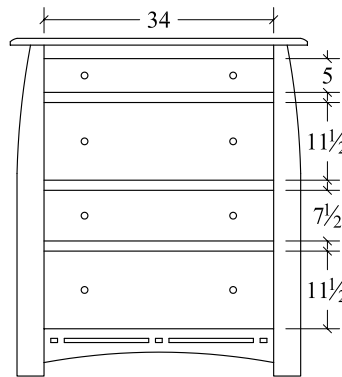
Chest (HYCD)

5 drawer
40w x 22d x 50h



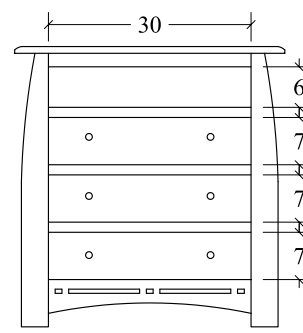
Lingerie Chest (HYLC)

5 drawer
27w x 18d x 50h



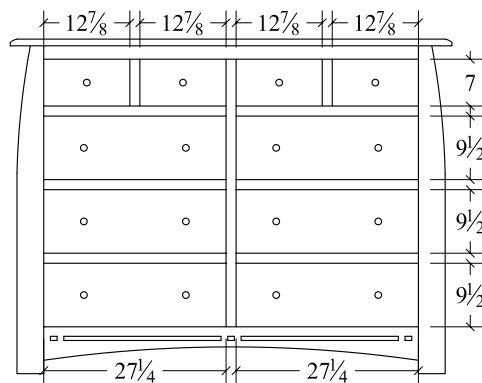
Desk Chest (HYDC)

4 drawer
44w x 22d x 50h



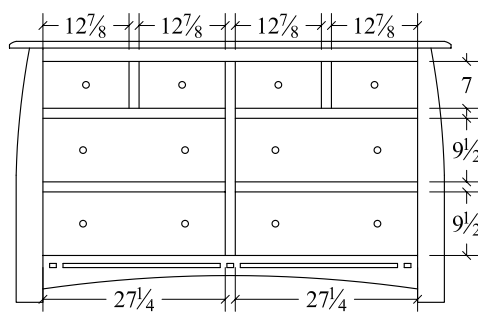
Media Chest (HYMC)

3 drawer, 1 opening
40w x 22d x 41½h



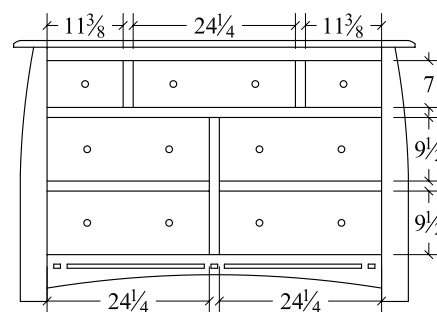
Dresser (HYDR)

10 drawer
66w x 22d x 50h



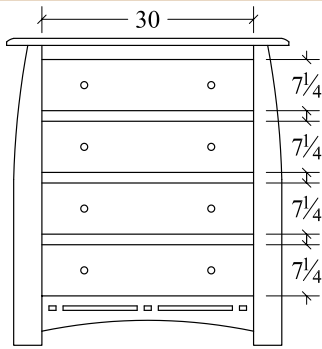
Dresser (HY8DR66)

8 drawer
66w x 22d x 39h

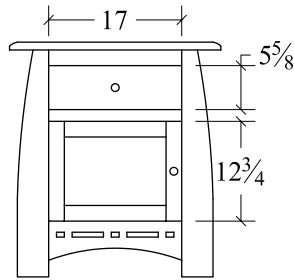


Dresser (HY7DR60)

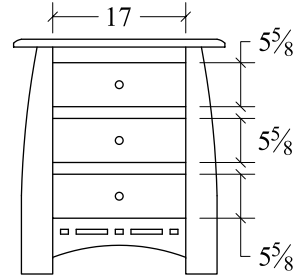
7 drawer
60w x 22d x 39h



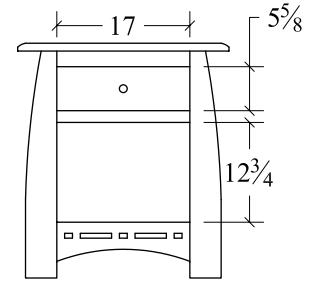
Chest (HYCD4)
4 drawer
40w x 22d x 44h



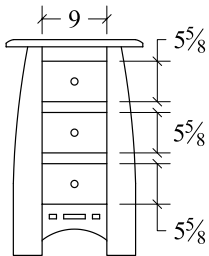
Nightstand (HYNSII)
1 drawer, 1 door
27w x 18d x 30h



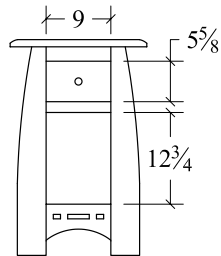
Nightstand (HYNS)
3 drawer
27w x 18d x 30h



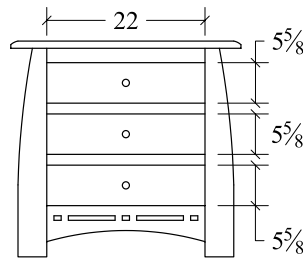
Nightstand (HYNSI)
1 drawer, 1 opening
27w x 18d x 30h



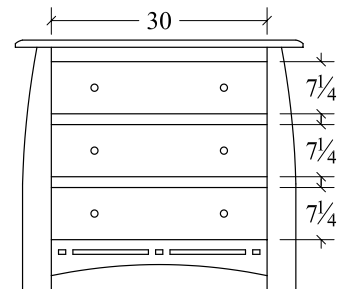
Nightstand (HYNS319)
3 drawer
19w x 18d x 30h



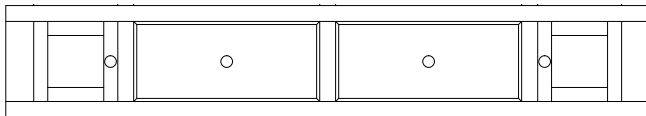
Nightstand (HYNS119)
1 drawer, 1 opening
19w x 18d x 30h



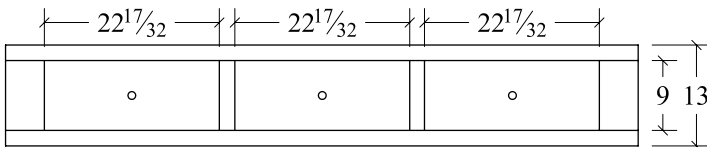
Nightstand (HYNS332)
3 drawer
32w x 18d x 30h



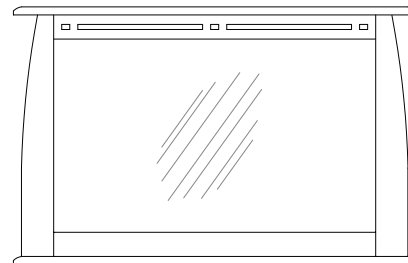
Chest (HYCD3)
3 drawer
40w x 22d x 36h



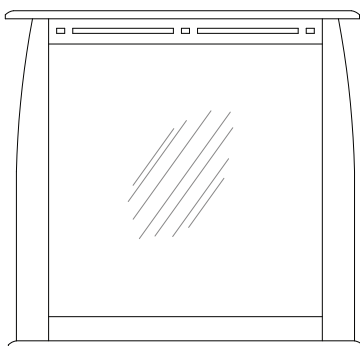
Bed Storage Rail
2 door, 2 drawer



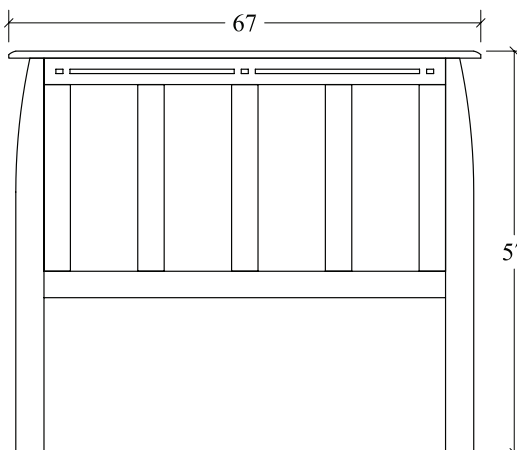
Bed Storage Rail
3 drawer
See pricelist for underbed
storage order info



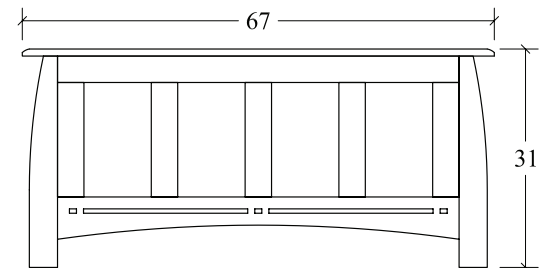
Mirror (HYMR)
50w x 32h



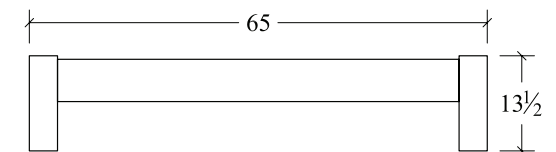
Mirror (HYMR44)
44w x 42h



Queen Headboard (HYQB)
67w x 57h



Queen Footboard (HYQB)
67w x 31h



Queen Low Footboard (HYQB)
65w x 13 1/2h

OLD MISSION *Bedroom Collection*

COLLECTION FEATURES

- Dovetailed, solid wood drawers
- Full extension, side mounted, ball bearing guides
- Fully framed, solid hardwood case goods
- W-2 Hardware
- Mission edge is standard

COLLECTION OPTIONS

- Hardware Options (see Features & Options page)
- Foot rail is available instead of footboard
- Underbed storage available



Old Mission
3 Drawer Night Stand
#OMNS3
23" w x 17" d x 29 1/2" h



Featuring full extension side mounted slides



Shown in Oak with #32 Michaels Finish & W-2 Hardware



**Old Mission
6 Drawer Chest**
#OMCD
37" w x 21 1/2" d x 52 1/2" h

Old Mission Mirror
#OMMR
52" w x 42" h



Old Mission 7 Drawer Dresser
#OMDR
60" w x 21 1/2" d x 38" h



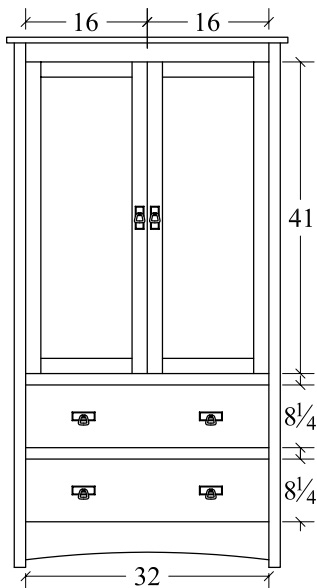
Old Mission Underbed Storage Option
#OMRS

Old Mission Slat Bed
Headboard posts: 56" h
Footboard posts: 28" h
#COMKB Cal. King: 85" w x 92" d
#OMKB King: 89" w x 88" d
#OMQB Queen: 73" w x 88" d
#OMFB Full: 67" w x 84" d
#OMTB Twin: 54" w x 84" d

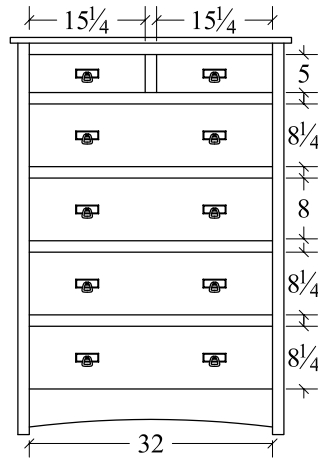
Shown with
Storage Rail option



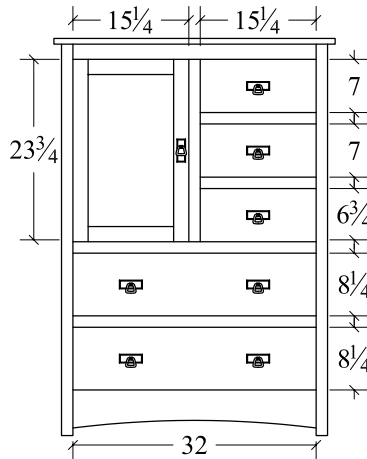
OLD MISSION BEDROOM COLLECTION SPECIFICATIONS



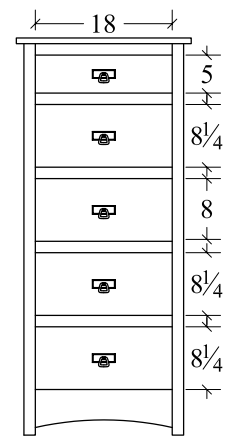
Armoire (OMAR)
2 drawer, 2 door
37w x 21 1/2d x 70h
*2 shelves



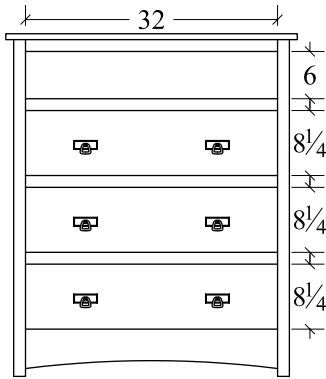
Chest (OMCD)
6 drawer
37w x 21 1/2d x 52 1/2h



Door Chest (OMDRC)
5 drawer, 1 door
37w x 21 1/2d x 52 1/2h
*1 shelf behind door



Lingerie Chest (OMLC)
5 drawer
23w x 17d x 52 1/2h



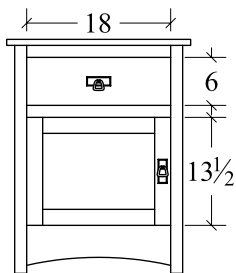
Media Chest (OMMC)
3 drawer, 1 opening
37w x 21 1/2d x 43 1/2h



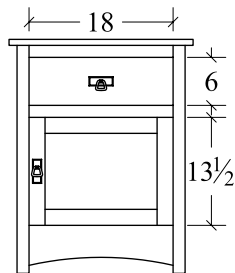
Dresser (OMDR66)
7 drawer
66w x 21 1/2d x 38h



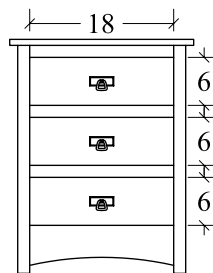
Dresser (OMDR)
7 drawer
60w x 21 1/2d x 38h



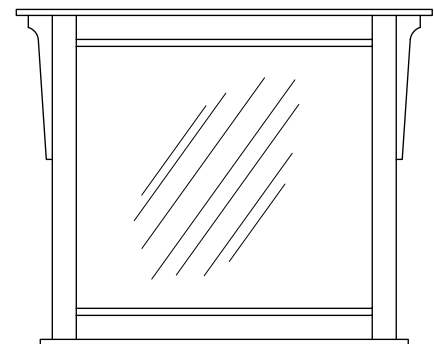
Night Stand (OMNS11L)
1 drawer, 1 door
23w x 17d x 29 1/2h



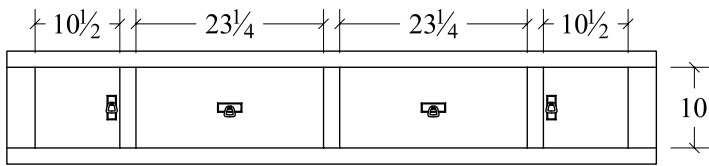
Night Stand (OMNS11R)
1 drawer, 1 door
23w x 17d x 29 1/2h



Night Stand (OMNS3)
3 drawer
23w x 17d x 29 1/2h

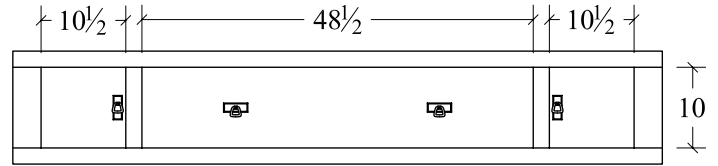


Mirror (OMMR)
52w x 42h

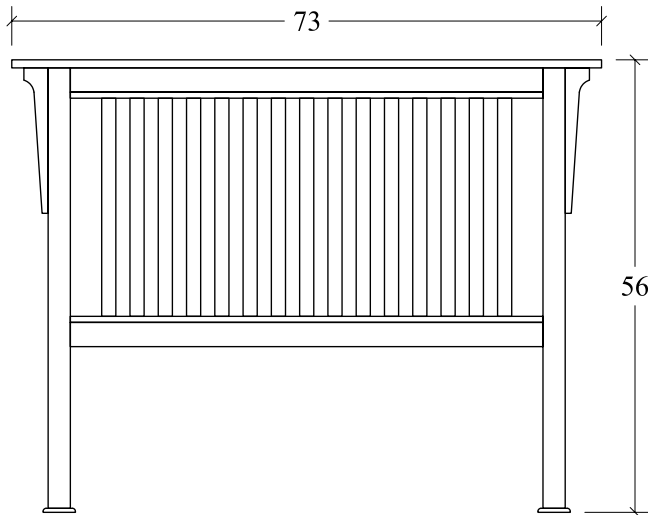


Storage Rail
2 drawer, 2 door
14h

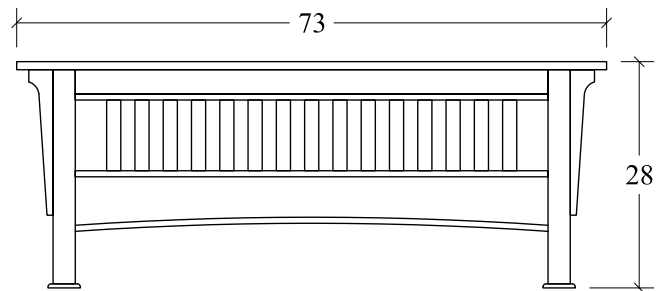
See pricelist for underbed
storage order info



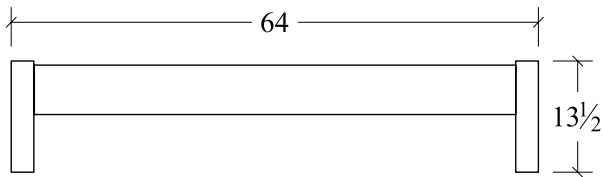
Storage Rail
1 drawer, 2 door
14h



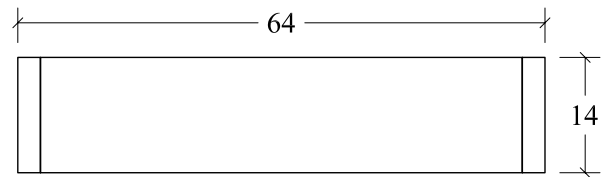
Queen Headboard (OMQB)
73w x 56h



Queen Footboard (OMQB)
73w x 28h



Queen Low Footboard (OMQB)
64w x 13 1/2h



Queen Low Footboard
For Storage Rails (OMBQB)
64w x 14h

OLD MISSION BOOKCASE

Bedroom Collection

COLLECTION FEATURES

- Dovetailed, solid wood drawers
- Full extension, side mounted, ball bearing guides
- Fully framed, solid hardwood case goods
- W-2 Hardware
- Mission edge is standard

COLLECTION OPTIONS

- Hardware Options
(see Features & Options page)
- Underbed storage available



Featuring **full extension side mounted slides**



**Old Mission
3 Drawer Night Stand**
#OMNS3
23" w x 17" d x 29 1/2" h



Shown in Oak with #32 Michaels Finish & W-2 Hardware



**Old Mission
6 Drawer Chest**
#OMCD
37" w x 21 1/2" d x 52 1/2" h

Old Mission Mirror
#OMMR
52" w x 42" h



Old Mission 7 Drawer Dresser
#OMDR
60" w x 21 1/2" d x 38" h

**Old Mission Underbed
Storage Option**
#OMRS



Mission Hall Tree
#M100131
2" x 2" Post, 70" Tall
Oak

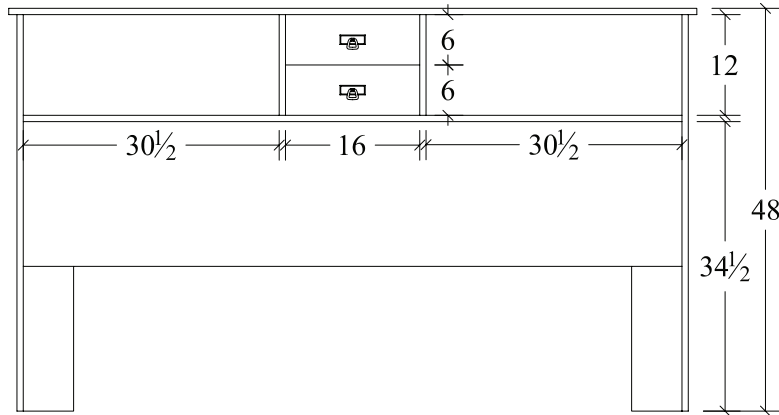


Old Mission Bookcase Bed
Headboard posts: 48" h
Footboard posts: 14" h
#COMBKB Cal. King: 78" w x 97 3/4" d
#OMBKB King: 82" w x 93 3/4" d
#OMBQB Queen: 66" w x 93 3/4" d
#OMBFB Full: 60" w x 89 3/4" d
#OMBTB Twin: 45" w x 89 3/4" d

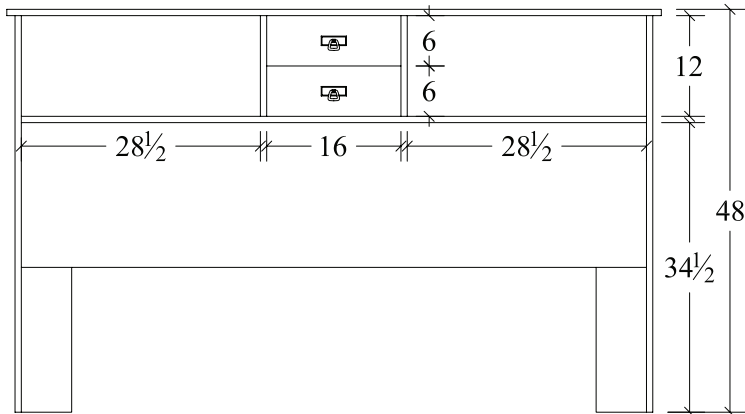


Shown with
Storage Rail option

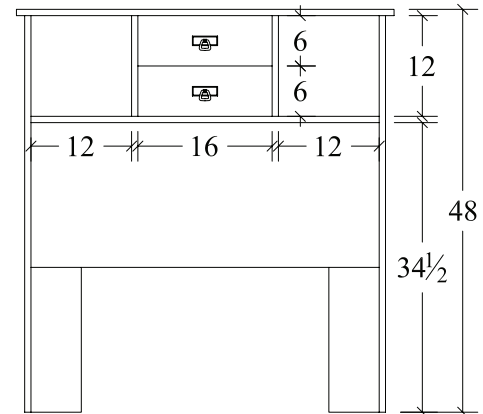
OLD MISSION BOOKCASE BEDROOM COLLECTION SPECIFICATIONS



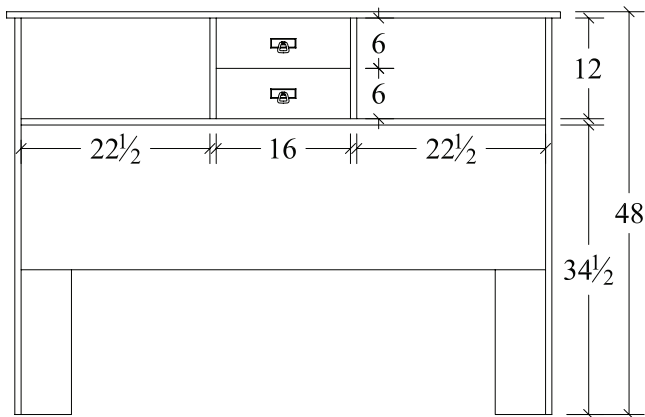
King Head Board (OMBKB)
2 drawer, 2 openings
82w x 12d x 48h



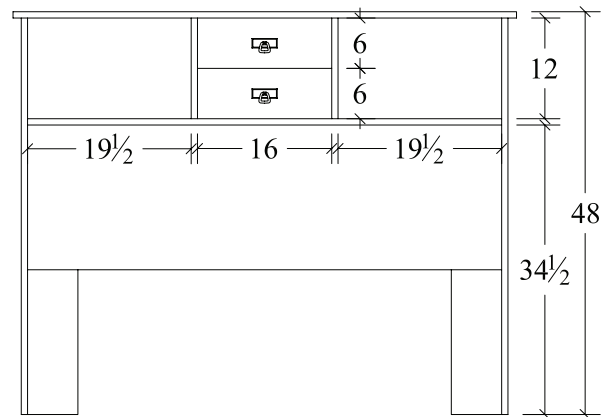
Cal. King Head Board (COMBKB)
2 drawer, 2 openings
78w x 12d x 48h



Twin Head Board (OMBTB)
2 drawer, 2 openings
45w x 12d x 48h



Queen Head Board (OMBQB)
2 drawer, 2 openings
66w x 12d x 48h



Full Head Board (OMBFB)
2 drawer, 2 openings
60w x 12d x 48h



PLATTE RIVER *Bedroom Collection*

COLLECTION FEATURES

- Constructed with mortise and tenon joints
- Cast dovetailed brackets support mattress
- Dovetailed, solid wood drawers
- Full extension, side mounted, ball-bearing guides
- SO-1 knobs for hardware

COLLECTION OPTIONS

- Hardware options (see Features & Options page)
- Underbed storage available



**Platte River
3 Drawer Nightstand**
#PLRNS3
23" w x 17" d x 29 1/2" h



Shown in Brown Maple with #113 Oatmeal



Platte River
52" Dresser Mirror
#PLRMR
52"w x 40"h



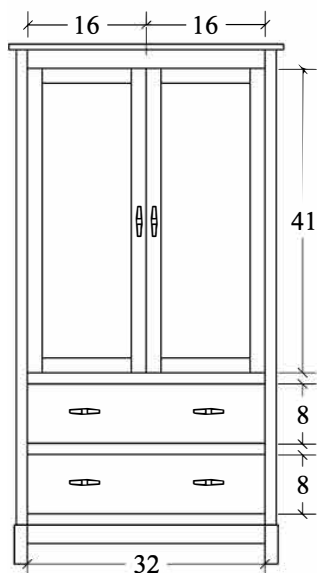
Platte River
6 Drawer Chest
#PLRCD
37"w x 21 1/2"d x 53"h

Platte River 7 Drawer
60" Dresser
#PLRDR
60"w x 21 1/2"d x 38"h

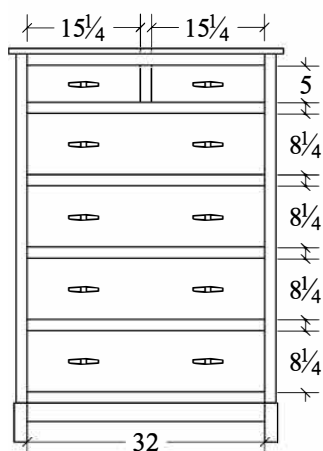


Platte River Bed
Headboard posts: 54"h
Footboard posts: 19"h
#CPLRKB Cal. King: 79"w x 92"d
#PLRKB King: 83"w x 88"d
#PLRQB Queen: 67"w x 88"d
#PLRFB Full: 61"w x 84"d
#PLRTB Twin: 48"w x 84"d

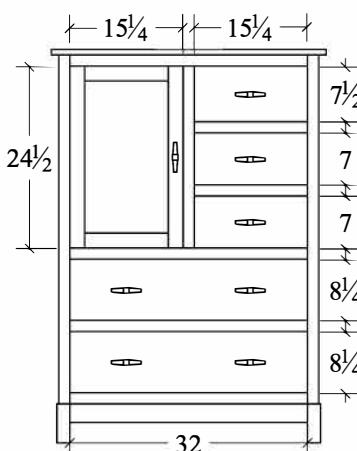
PLATTE RIVER BEDROOM COLLECTION SPECIFICATIONS



Armoire (PLRAR)
2 drawer, 2 door
37w x 21 1/2d x 70h
*2 shelves

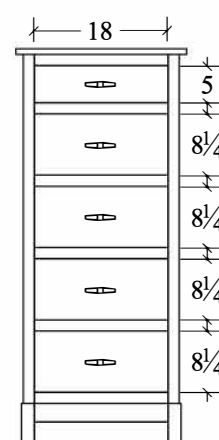


Chest (PLRCD)
6 drawer
37w x 21 1/2d x 53h

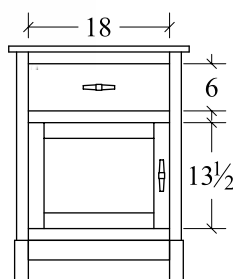


Door Chest (PLDRDC)
5 drawer, 1 door 37w x
21 1/2d x 53h

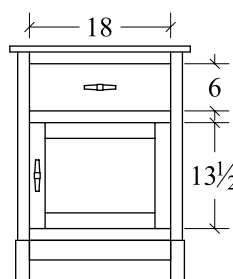
*1 shelf behind door



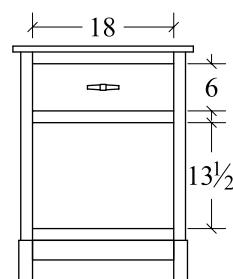
Lingerie Chest (PLRLC)
5 drawer
23w x 17d x 53h



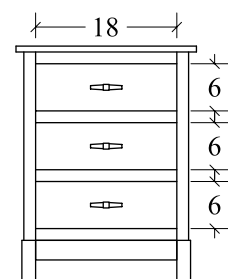
Night Stand (PLRNS11L)
1 drawer, 1 door
23w x 17d x 29 1/2h



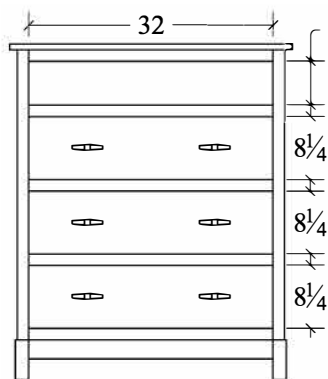
Night Stand (PLRNS11R)
1 drawer, 1 door
23w x 17d x 29 1/2h



Night Stand (PLRNS1)
1 drawer
23w x 17d x 29 1/2h



Night Stand (PLRNS3)
3 drawer
23w x 17d x 29 1/2h



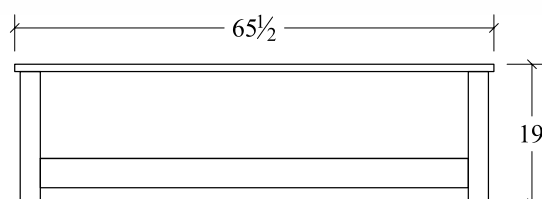
Media Chest (PLRMC)
3 drawer, 1 opening
37w x 21 1/2d x 44h



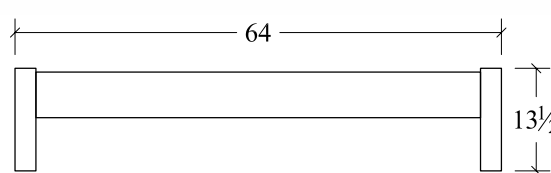
Dresser (PLRDR66)
7 drawer
66w x 21 1/2d x 38h



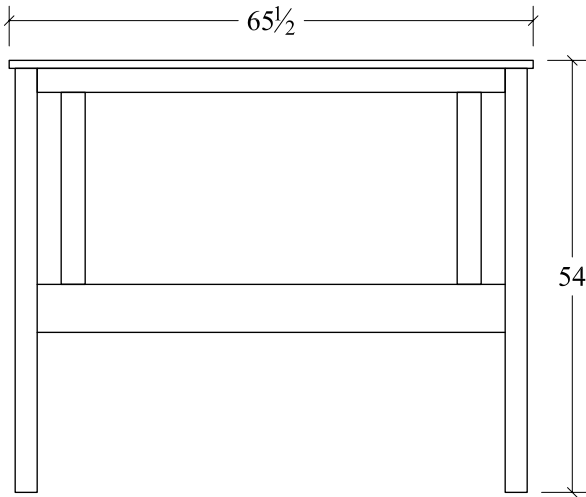
Dresser (PLRDR)
7 drawer
60w x 21 1/2d x 38h



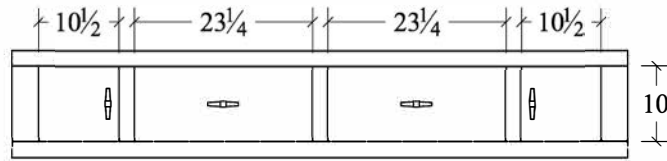
Queen Footboard (2-PLRQB)
65 1/2w x 19h



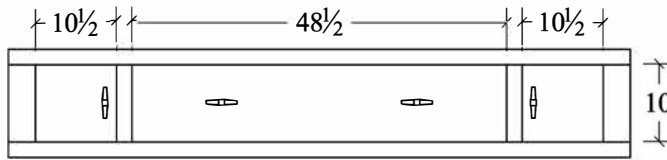
Queen Low Footboard (3-PLRQBLFB)
64w x 13 1/2h



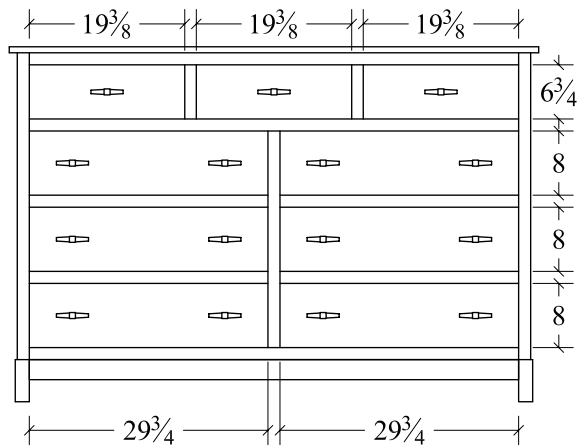
Queen Headboard (1-PLRQB)
65 1/2 w x 54 h



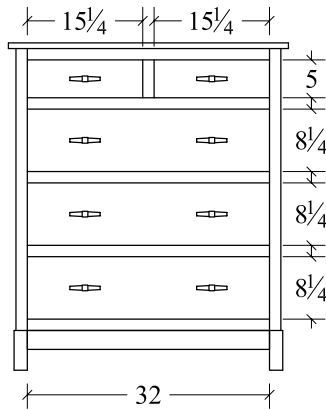
Storage Rail (3-PLRQBRs)
2 drawer, 2 door
80 1/2 w x 14 h



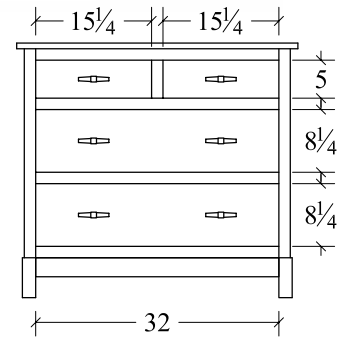
Storage Rail (3-2PLRQBRS)
1 drawer, 2 door
80 1/2 w x 14 h



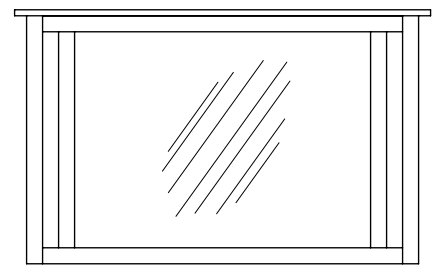
Dresser (PLRDR9)
9 drawer
66 w x 21 1/2 d x 44 1/4 h



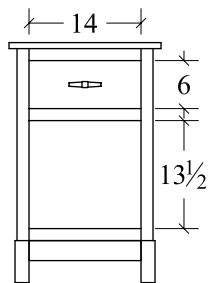
Chest (PLRC05)
5 drawer
37 w x 21 1/2 d x 43 1/4 h



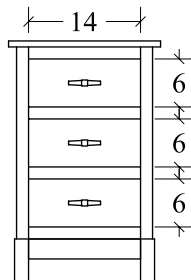
Chest (PLRC04)
4 drawer
37 w x 21 1/2 d x 33 1/2 h



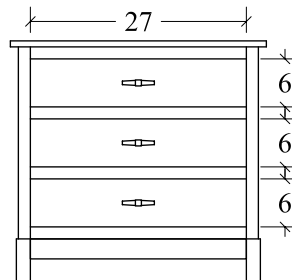
Mirror (PLRMR32)
52 w x 32 h



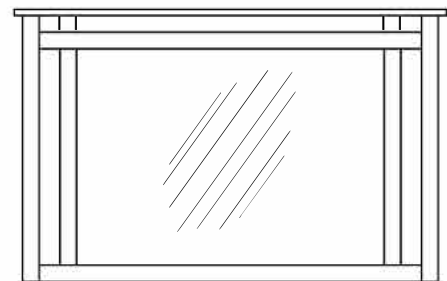
Night Stand (PLRNS119)
1 drawer
19 w x 17 d x 29 1/2 h



Night Stand (PLRNS319)
3 drawer
19 w x 17 d x 29 1/2 h



Night Stand (PLRNS332)
3 drawer
32 w x 17 d x 29 1/2 h



Mirror (PLRMR)
52 w x 40 h

SAVANNAH *Bedroom Collection*

COLLECTION FEATURES

- Mirror has a bevel-cut edge
- Constructed with mortise and tenon joints
- Cast dovetailed brackets support mattress
- Dovetailed, solid wood drawers
- Soft-closing, full extension, undermount drawer guides
- Case goods are fully framed, solid wood
- Case goods are built with floating panel construction
- Case goods feature 1" solid top
- Armoire features 2 solid hardwood adjustable shelves
- Chest features a cedar-lined bottom drawer
- Dresser features dividers in second row drawers
- Desk chest features pullout tray with drawers and bottom drawer file cabinet
- H-8 Hardware
- Mission edge is standard

COLLECTION OPTIONS

- Distressed finish (#2D)
- Hardware Options (see Features & Options page)
- Foot rail instead of footboard (#1FD)
- Under bed storage unit (#2RS)
- Three plug power strip. Case goods available with touch switch LED night light (#LEDN)
- Night Stand available with sliding top, hidden compartment, lock and three plug power strip (#STP)
- Armoire available with 1 hanger rod instead of 2 adjustable shelves
- Additional adjustable armoire shelves available (#AJS)
- Additional drawer dividers available (#DD)
- Dresser drawer available with felt-lined jewelry tray (#SJT)
- Additional cedar-lined drawers available (#CB)
- Docking drawer (#DKD)



Savannah 2 Drawer Nightstand
#SHNS
24" w x 16 1/2" d x 30" h



Shown in Quartersawn Oak with #30 Asbury Stain & H-8 Hardware



Savannah Armoire
#SHAR
42"w x 23"d x 71"h
*2 shelves behind doors



Savannah Mirror
#SHMR
52"w x 31"h

**Savannah
9 Drawer Dresser**
#SHDR
66"w x 22"d x 45"h

Savannah Lingerie Chest
#SHLC
24"w x 16 1/2"d x 53"h



Savannah Bed
Headboard: 58"h
Footboard: 24"h
#CSHKB Cal. King: 81"w x 92"d
#SHKB King: 85"w x 88"d
#SHQB Queen: 69"w x 88"d
#SHFB Full: 63"w x 82"d



SAVANNAH *Bedroom Collection*

CONTINUED...



Savannah Blanket Chest

#SHBC

48" w x 20" d x 24" h



Savannah 6 Drawer Chest

#SHCD

40" w x 22" d x 53" h



ALTERNATIVE BED OPTIONS:

Beckley Bed

Headboard: 58" h

Footboard: 36" h

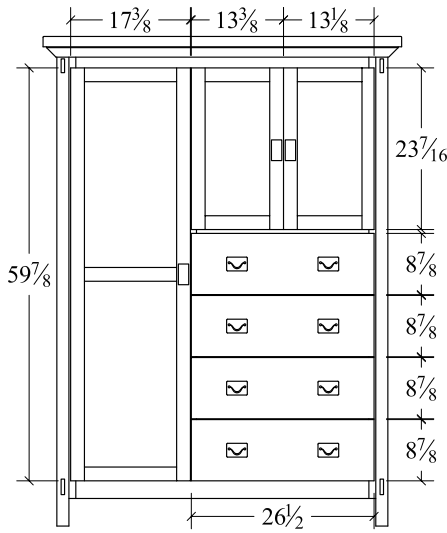
#CBYKB Cal. King: 77 1/2" w x 90" d

#BYKB King: 81 1/2" w x 86" d

#BYQB Queen: 65 1/2" w x 86" d

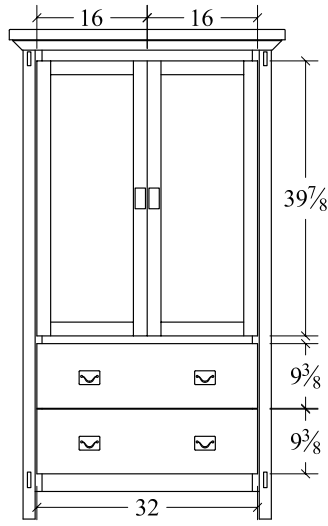
#BYFB Full: 59 1/2" w x 80" d

SAVANNAH BEDROOM COLLECTION SPECIFICATIONS



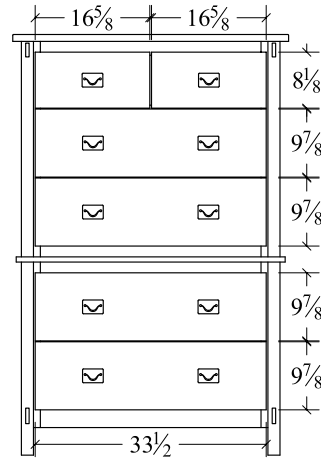
Chifferobe (SHCB)

4 drawer, 3 door
52w x 23d x 71h
*1 shelf behind small doors
*3 shelves and 1 rod behind long door



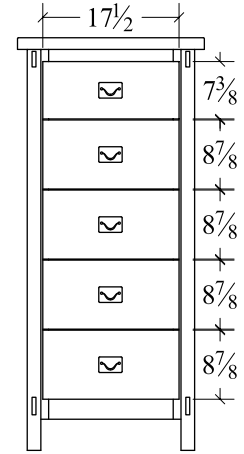
Armoire (SHAR)

2 drawer, 2 door
42w x 23d x 71h
*2 shelves



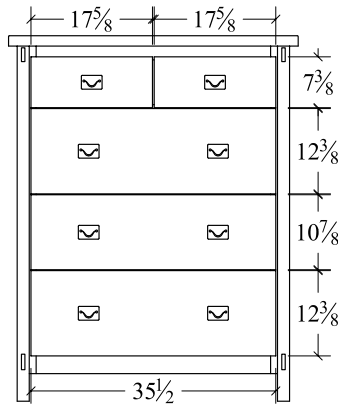
Chest on Chest (SHCDC)

6 drawer
40w x 22d x 61h



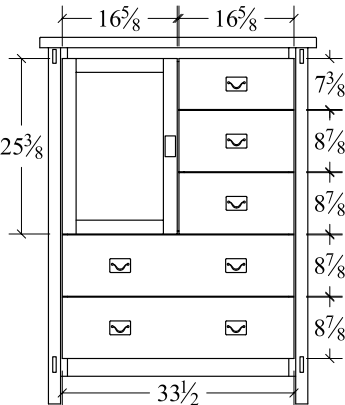
Lingerie Chest (SHLC)

5 drawer
24w x 16 1/2d x 53h



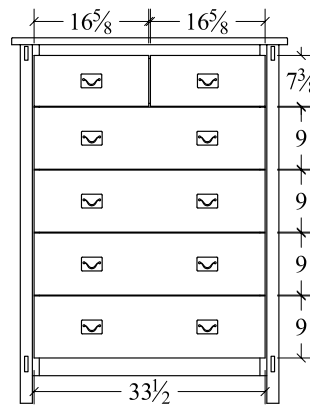
Desk Chest (SHDC)

5 drawer
42w x 22d x 53h



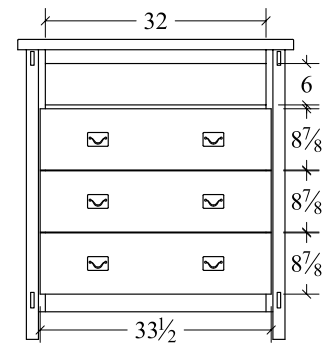
Door Chest (SHDR)

5 drawer, 1 door
42w x 22d x 53h
*1 shelf behind door



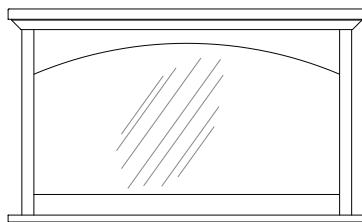
Chest (SHCD)

6 drawer
40w x 22d x 53h



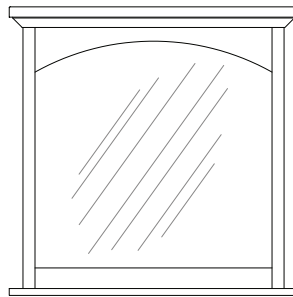
Media Chest (SHMC)

3 drawer, 1 opening
40w x 22d x 43h



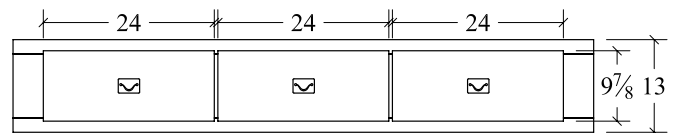
Mirror (SHMR)

52w x 31h



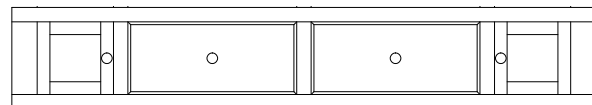
Mirror (SHMR40)

42w x 42h



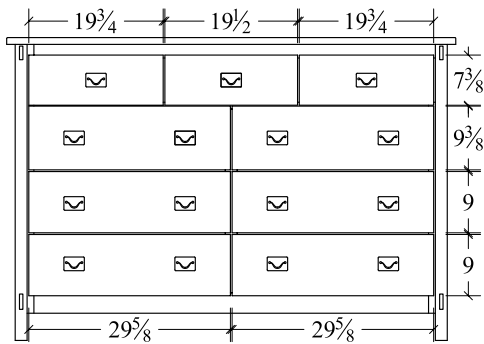
Bed Storage Rail
3 drawer

See pricelist for underbed storage order info.

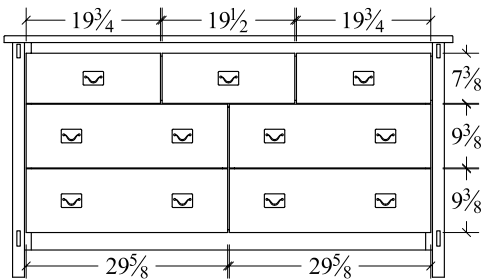


Bed Storage Rail
2 door, 2 drawer

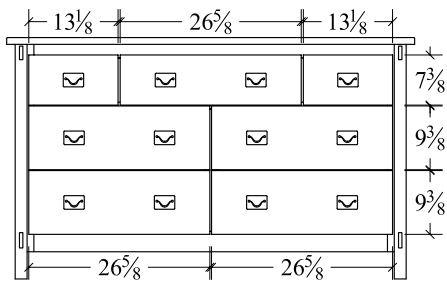
SAVANNAH BEDROOM COLLECTION SPECIFICATIONS



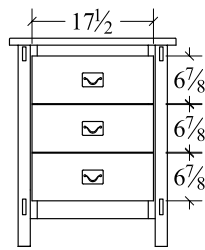
Dresser (SHDR)
9 drawer
66w x 22d x 45h



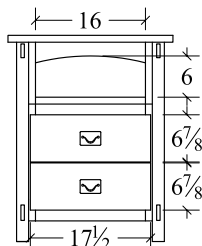
Dresser (SH7DR66)
7 drawer
66w x 22d x 36h



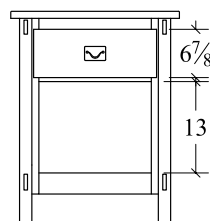
Dresser (SH7DR60)
7 drawer
60w x 22d x 36h



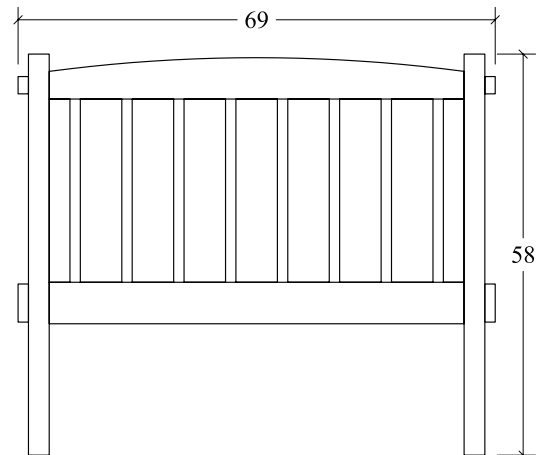
Nightstand (SHNS3)
3 drawer
24w x 16 1/2d x 30h



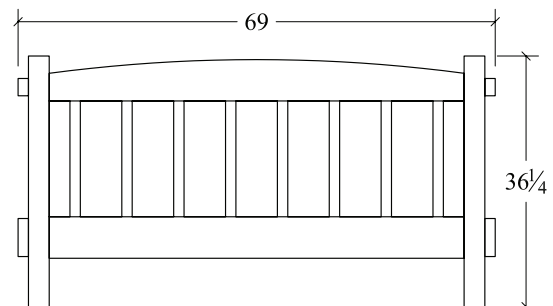
Nightstand (SHNS)
2 drawer, 1 opening
24w x 16 1/2d x 30h



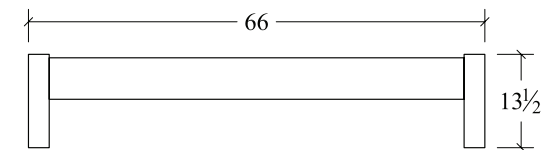
Nightstand (SHNS1)
1 drawer, 1 opening
24w x 16 1/2d x 30h



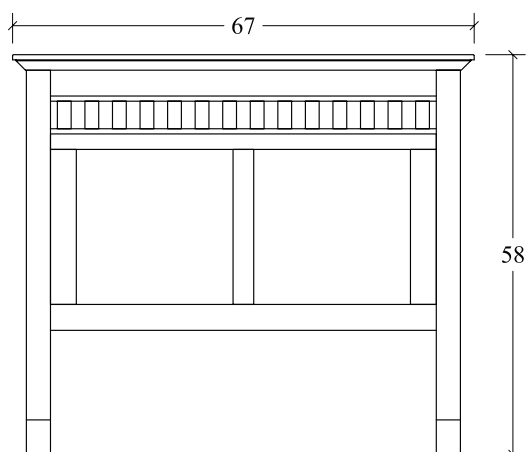
Queen Headboard (BYQB)
69w x 58h



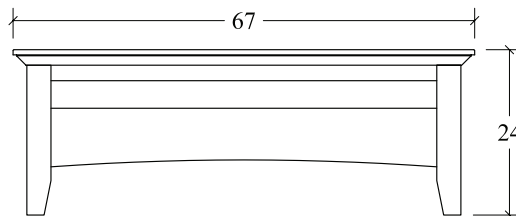
Queen Footboard (BYQB)
69w x 36 1/4h



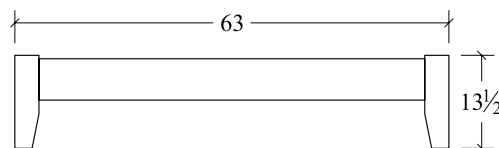
Queen Low Footboard (BYQB)
66w x 13 1/2h



Queen Headboard (SHQB)
67w x 58h



Queen Footboard (SHQB)
67w x 24h



Queen Low Footboard (SHQB)
63w x 13 1/2h



SIMPLICITY *Bedroom Collection*

COLLECTION FEATURES

- Mirrors have bevel cut edges
- Constructed with mortise and tenon joints
- Dovetailed, solid wood drawers
- Soft-closing, full extension, undermount drawer guides
- Cutout in drawer fronts for handles
- Top has grooves

**Simplicity cannot have sliding top option, nightlights, or docking stations*

COLLECTION OPTIONS

- Low footboard option
- Distressed finish (#2D)
- Underbed storage options
- Choose any fabric or leather from the Fusion options



Walnut Inlays and bases on select case goods are standard

Drawing from the streamlined looks and clean lines of mid-century modern design and pared-down aesthetic of Scandinavian spaces, the Simplicity collection is a contemporary interpretation of Shaker style re-imagined for today's more modern tastes. Smaller-scaled with an emphasis on flexibility, the collection is marked by angular posts and pilasters and functional open shelving that offers the fresh and airy feeling indicative of these serene, light-filled styles. Finished in a mellow brown maple stain coupled with tapered walnut bases, legs, and contrasting walnut bow tie accents, these multi-functional bedroom pieces easily move from one room to another depending on decorating needs.



Shown in Brown Maple with walnut accents and #99 Toffee finish.

Simplicity Panel Bed

Footboard: 18" h

#51-1501T Twin: 41 1/2" x 60"

#51-1501F Full: 57 1/2" x 60"

#51-1501Q Queen: 63 1/2" x 60"

#51-1501K King: 79 1/2" x 60"

#51-1501C Cal King: 75 1/2" x 60"



Simplicity Upholstered Bed

Footboard: 18" h

#51-1502T Twin: 42 1/2" x 58"

#51-1502F Full: 57 1/2" x 58"

#51-1502Q Queen: 63 1/2" x 58"

#51-1502K King: 79 1/2" x 58"

#51-1502C Cal King: 75 1/2" x 58"



SIMPLICITY *Bedroom Collection*

CONTINUED...



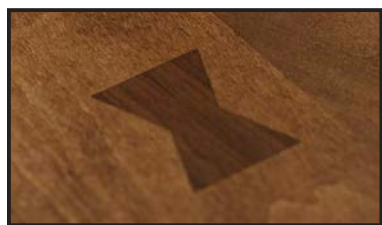
Simplicity 3 Drawer Nightstand
#51-1603
28" w x 18" d x 29" h



Simplicity Open Nightstand
#51-1602
28" w x 18" d x 28" h



Simplicity 6 Drawer Chest
#51-1801
40" w x 19" d x 54" h



Walnut Inlays and bases on select case goods are standard



Middle drawer of
Media Dresser folds down



**Simplicity
Media Dresser**
#51-1701
56" w x 19" d x 44" h



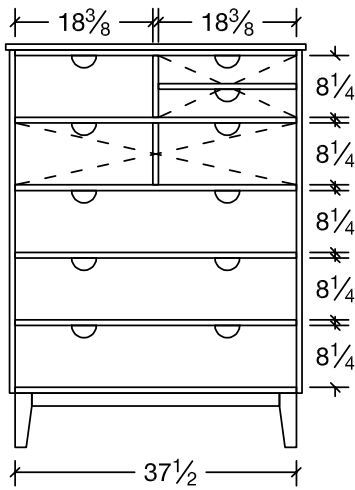
**Simplicity
Landscape Mirror**
#51-2001
43" w x 30" h

**Simplicity Tall
Landscape Mirror
(not shown)**
#51-2002
43" w x 36" h

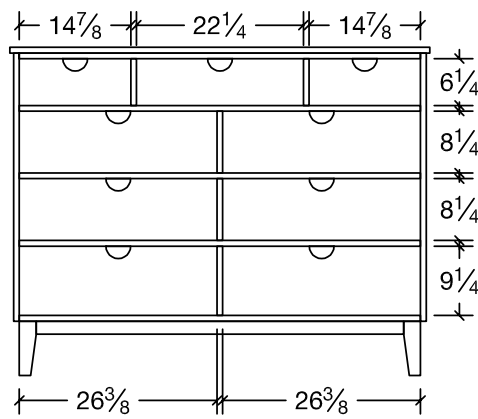
**Simplicity 8 Drawer
Dresser**
#51-1702
64" w x 19" d x 36" h



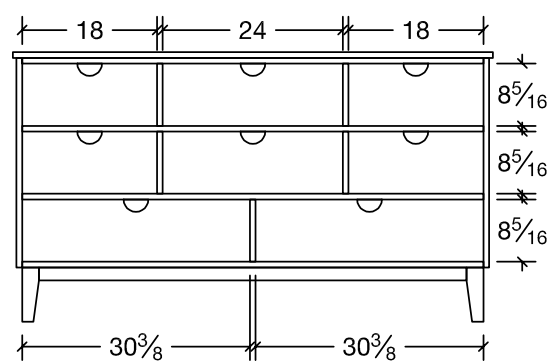
SIMPLICITY BEDROOM COLLECTION SPECIFICATIONS



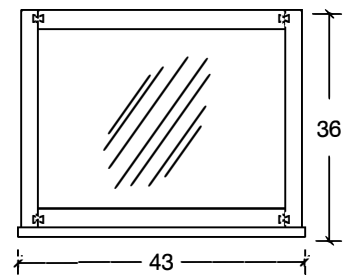
51-1801
6 Drawer Chest
6 drawer
40w x 19d x 53³/₄h



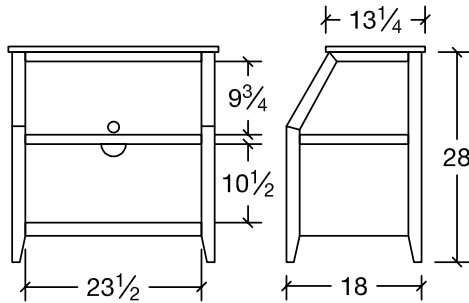
51-1701
Media Dresser
8 drawer
56w x 19d x 43³/₄h



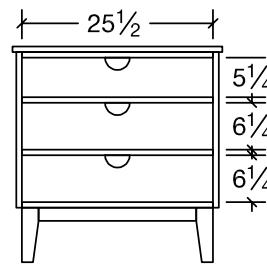
51-1702
8 Drawer Dresser
8 drawer
64w x 19d x 36h



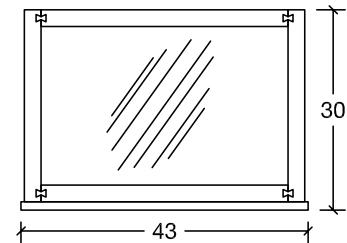
51-2002
Landscape Mirror
43w x 36h



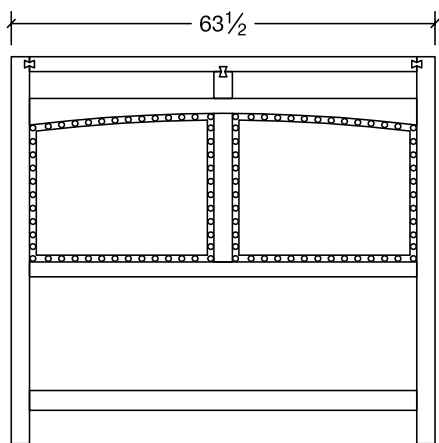
51-1602
Open Night Stand
1 Drawer, 1 Shelf
28w x 18d x 28h



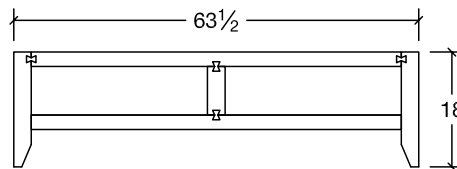
51-1603
3 Drawer Night Stand
3 Drawers
28w x 18d x 28³/₄h



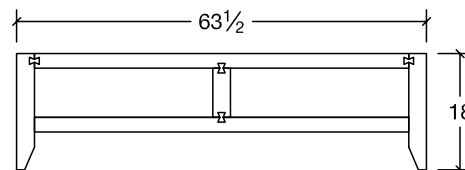
51-2001
Landscape Mirror
43w x 30h



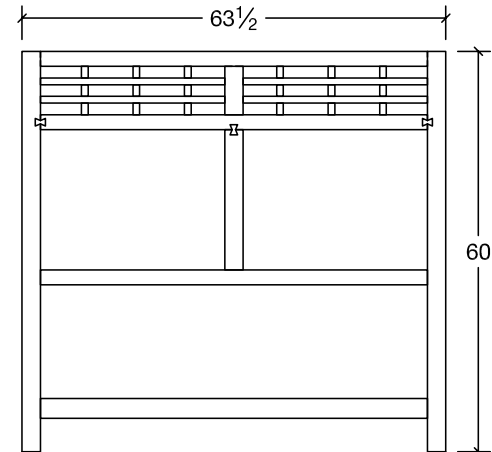
1-51-1502Q
Queen Upholstered
Headboard
63¹/₂w x 58h



2-51-1502Q
Queen Footboard
63¹/₂w x 18h



2-51-1501Q
Queen Footboard
63¹/₂w x 18h



1-51-1501Q
Queen Headboard
63¹/₂w x 60h



SOMA *Bedroom Collection*

COLLECTION FEATURES

- Mirrors have bevel cut edges
- Constructed with mortise and tenon joints
- Cast dovetailed brackets support mattress
- Dovetailed solid wood drawers
- Chest features a cedar lined drawer bottom
- Dresser features dividers in second row drawers
- Hardware not available on other collections
- Soft close slides

COLLECTION OPTIONS

- Distressed Finish (#2D)
- Hardware Options-See hardware page in Features & Options section
- Underbed Storage Options
- LED nightlight (#LEDN)
- Additional drawer dividers for dressers (#DD)
- Dresser drawer available with felt lined jewelry tray (#SJT)
- Additional cedar lined drawers available (#CB)
- See upholstery book for fabric or leather choice



Shown in Rustic Cherry with 103 Dew Finish



Soma Upholstered Bed

Headboard: 61 1/2" h

Footboard: 18" h

#CSMUKB Cal. King: 80" w x 90" d

#SMUKB King: 84" w x 86" d

#SMUQB Queen: 68" w x 86" d

#SMUFB Full: 62" w x 80" d



Soma Panel Bed

Headboard: 56" h

Footboard: 38 1/2" h

#CSMKB Cal. King: 77" w x 91" d

#SMKB King: 81" w x 87" d

#SMQB Queen: 65" w x 87" d

#SMFB Full: 59" w x 81" d

SOMA *Bedroom Collection*

CONTINUED...



Soma 3-Drawer Night Stand
#SMNS3
30" w x 17" d x 28" h

Soma Mirror
#SMMR
44 1/2" w x 36 1/2" h



Soma 7-Drawer Dresser
#SMDR66
66 1/4" w x 18" d x 39 3/4" h



Soma Door Chest
#SMDRC
42" w x 19 1/2" d x 52 1/2" h
*2 shelves behind door

Soma 2-Drawer Night Stand
#SMNS2
30" w x 17" d x 28" h

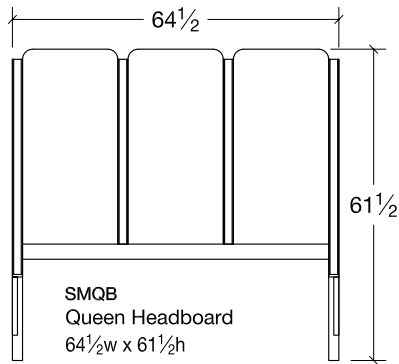


Soma Armoire
#SMAR
37" w x 21 1/2" d x 68" h
Shown in Brown Maple
with #118 Flannel finish
*2 shelves

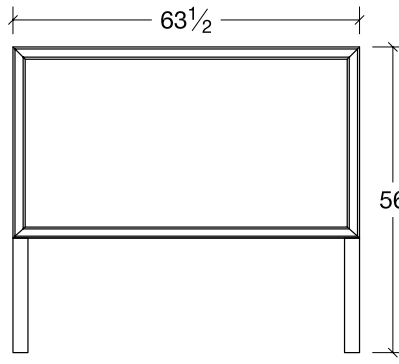


Soma 1-Drawer Night Stand
#SMNS1
24" w x 16" d x 28" h
Shown in Brown Maple
with #113 Oatmeal finish

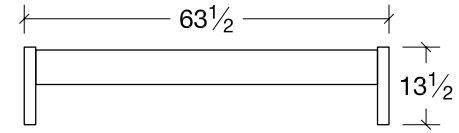
SOMA BEDROOM COLLECTION SPECIFICATIONS



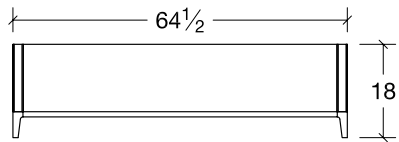
SMQB
Queen Headboard
64 1/2w x 61 1/2h



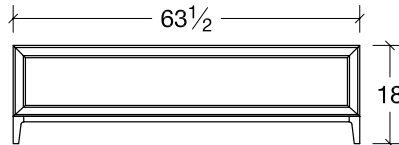
SMQB
Queen Headboard
63 1/2w x 56h



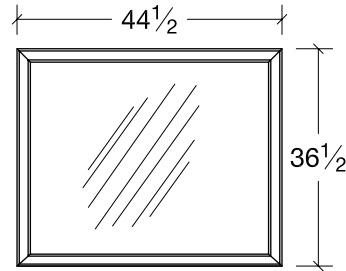
SMQB
Queen Low Footboard
63 1/2w x 13 1/2d



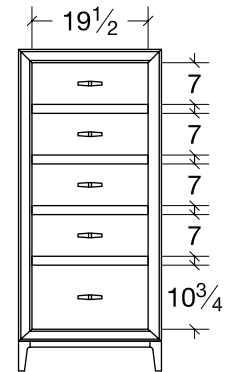
SMQB
Queen Footboard
64 1/2w x 18h



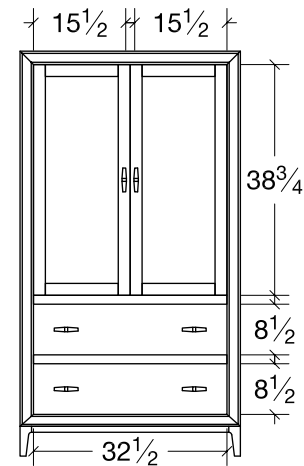
SMQB
Queen Footboard
63 1/2w x 18d



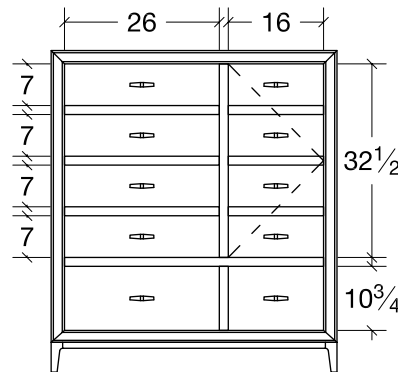
SMMR
Soma Mirror
44 1/2w x 36 1/2d



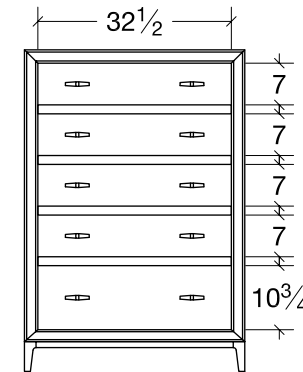
SMLC
Soma Lingerie Chest
5 Drawer
24w x 16d x 54h



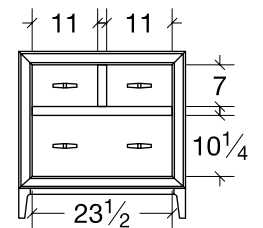
SMAR
Soma Armoire *2 shelves
2 Drawer, 2 Door
37w x 21 1/2d x 68h



SMDRC
Soma Door Chest *2 shelves behind door
6 Drawers, 1 Door
48w x 18 1/2d x 54h



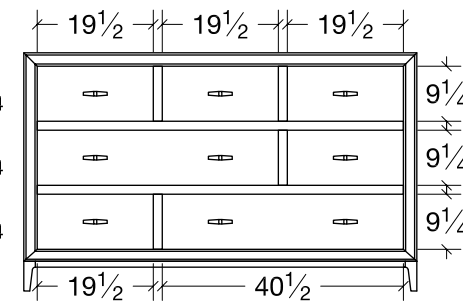
SMCD
Soma Chest
5 Drawer
37w x 18 1/2d x 54h



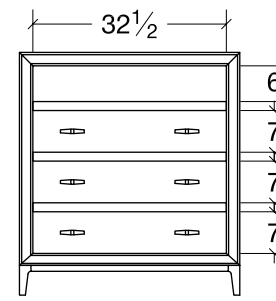
SMNS3
Soma Nightstand
3 Drawer
28w x 16d x 28h



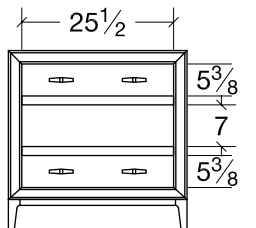
SMDR60
Soma Dresser
7 Drawer
60w x 18 1/2d x 40h



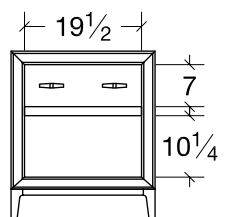
SMDR66
Soma Dresser
7 Drawer
66w x 18 1/2d x 40h



SMMC
Soma Media Chest
3 Drawer
37w x 18 1/2d x 40 3/4h



SMNS2
Soma Nightstand
2 Drawer
30w x 16d x 30h



SMNS1
Soma Nightstand
1 Drawer
24w x 16d x 28h

VICTOR *Bedroom Collection*

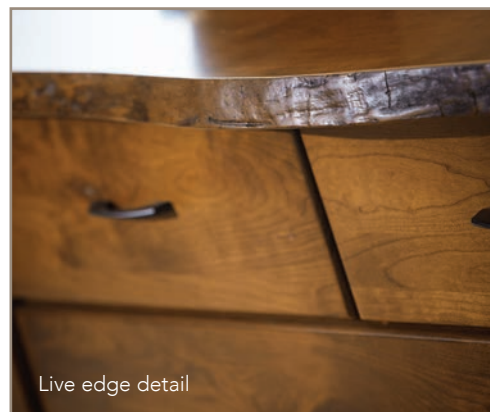
COLLECTION FEATURES

- Live edges on bed & tops
- Mortise & tenon joints
- Dovetailed solid wood drawers
- Soft-close full extension drawers
- Fully framed solid wood case goods
- 1 1/4" thick tops
- Bevel-cut mirror
- Mattress supported with cast dovetail brackets
- Two solid hardwood adjustable shelves on armoire
- Cedar lined bottom drawer on chest
- Dividers in second row drawers on dresser
- Black hardware (not available on other collections)

COLLECTION OPTIONS

- Hardware Options (see Features & Options page)
- Additional adjustable shelf for armoire (#AJS)
- Optional under bed storage unit
- Touch switch LED night light (#LEDN)
- Night Stand available with sliding top, hidden compartment, lock & three-plug power strip (#STP)
- Armoire available with 1 hanger in place of 2 adjustable shelves
- Additional drawer dividers (#DD)
- Dresser drawer available with felt lined jewelry tray (#SJT)
- Additional cedar lined drawers (#CB)
- Docking drawer (#DKD)

See Features & Options section for expectations and details on live edge tops.





**Victor 2-Drawer
Nightstand**
#VINS
27 1/2"w x 17"d x 28 1/2"h



Brushed black hardware is
exclusive to the Victor Collection

Victor Bed
Headboard 52"h
Footboard 13 1/2"h
#CVIKB Cal King 76"w x 90 1/2"d
#VIKB King 80"w x 86 1/2"d
#VIQB Queen 64"w x 86 1/2"d
#VIFB Full 58"w x 80 1/2"d
#VITB Twin 43"w x 80 1/2"d



VICTOR *Bedroom Collection*

CONTINUED...



Victor Chest
#VICD
41 1/2"w x 22 1/4"d x 53"h

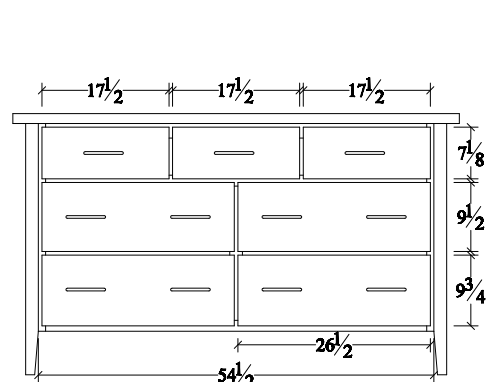


Victor 48" Mirror
#VIMR48
48"w x 32"h

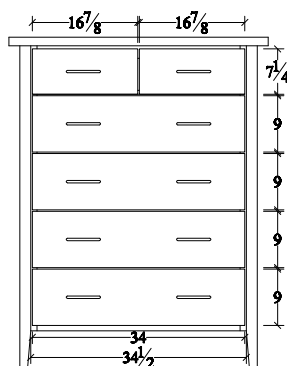


Victor 7-Drawer Dresser
#VI7DR66
67 1/2"w x 22 1/4"d x 36"h

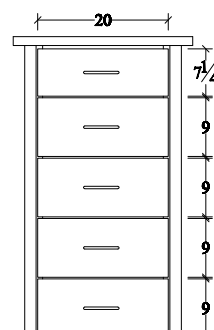
VICTOR BEDROOM COLLECTION SPECIFICATIONS



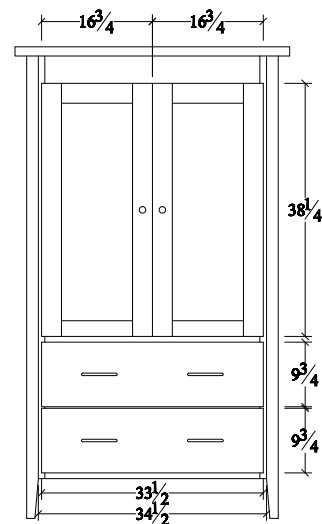
Dresser (VI7DR60)
7 drawer
61 1/2 w x 22 1/4 d x 36h



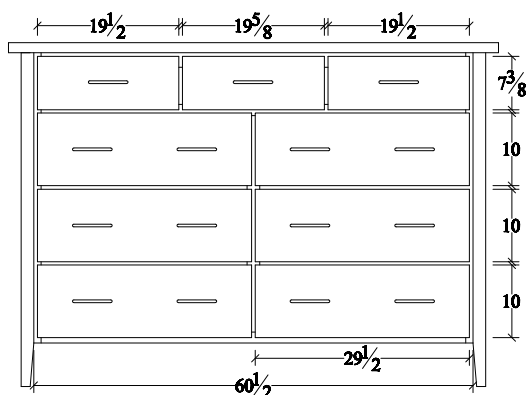
Chest (VICD)
6 Drawer
42 1/2 w x 22 1/4 d x 53h



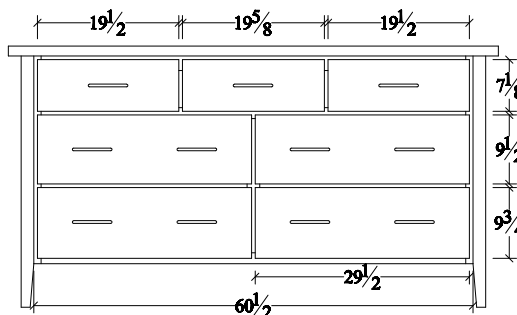
Lingerie Chest (VILC)
5 drawer
27 1/2 w x 17d x 53h



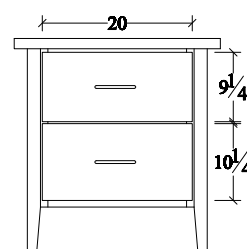
Armoire (VIAR) *2 shelves
2 drawer, 2 door
41 1/2 w x 22 1/4 d x 71 1/4 h



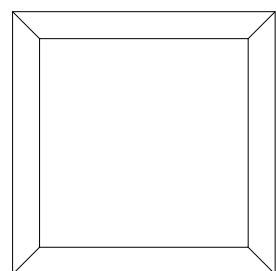
Dresser (VIDR9)
9 drawer
67 1/2 w x 22 1/4 d x 46h



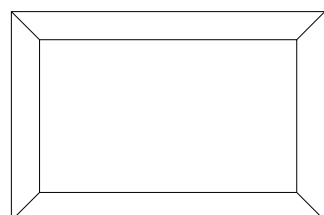
Dresser (VI7DR66)
7 drawer
67 1/2 w x 22 1/4 d x 36h



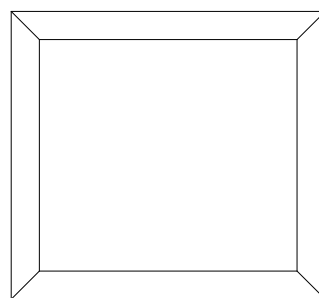
Nightstand (VINS)
2 drawers
27 1/2 w x 17d x 28 1/2 h



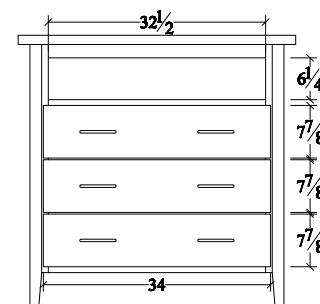
Mirror (VIMR42)
42w x 42h



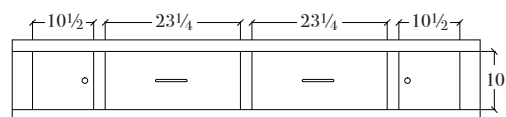
Mirror (VIMR32)
48w x 32h



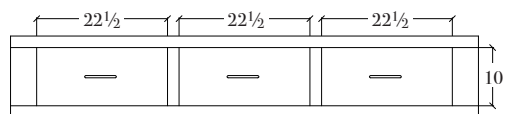
Mirror (VIMR48)
48w x 44h



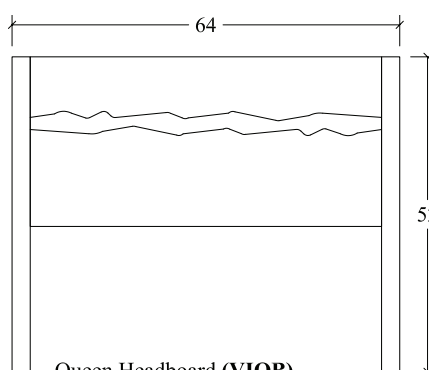
Media Chest (VIMC)
3 drawer, 1 opening
42 1/2 w x 22 1/4 d x 41 1/2 h



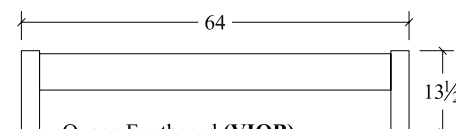
Storage Rail
2 door, 2 drawer
14h
See pricelist for underbed storage order info.



Storage Rail
3 drawer
14h



Queen Headboard (VIQB)
64w x 52h



Queen Footboard (VIQB)
64w x 13 1/2h

WOODROW *Bedroom Collection*

COLLECTION FEATURES

- Cove-cut drawer fronts
- Mirrors have bevel cut edges
- Constructed with mortise and tenon joints
- Cast dovetailed brackets support mattress
- Dovetailed solid wood drawers
- Soft-closing full extension undermount drawer guides
- Chest features a cedar lined drawer bottom
- Dresser features dividers in second row drawers
- Nickel Hardware, not available on other collections

COLLECTION OPTIONS

- Distressed Finish (#2D)
- Hardware Options
(see Features & Options page)
- Underbed Storage Options
- LED nightlight (#LEDN)
- Docking drawer with power (#DKD)
- Additional drawer dividers for dressers (#DD)
- Dresser drawer available with felt lined jewelry tray (#SJT)
- Additional cedar lined drawers available (#CB)



Woodrow 3 Drawer Nightstand
#WWNS3
26" w x 16 1/2" d x 29" h



Brown Maple with #99 Toffee Finish



Woodrow Chest
#WWCD
38" w x 19" d x 52" h



**Woodrow
60" Dresser Mirror**
#WWMR
42 1/2" w x 39" h

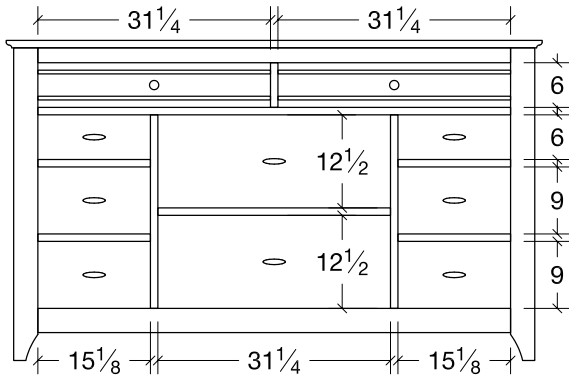


Woodrow 60" Dresser
#WWDR60
60" w x 19" d x 38" h

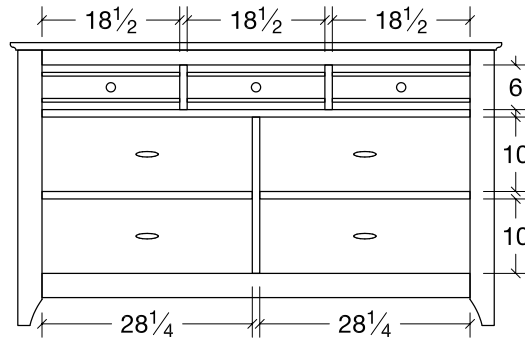


Woodrow Bed
Headboard 60" h
Footboard 18" h
#WWCKB Cal. King Bed 76" w x 90" d
#WWKB King Bed 80" w x 86" d
#WWQB Queen Bed 63" w x 86" d
#WWFB Full Bed 58" w x 80" d
#WWTB Twin Bed 43" w x 80" d

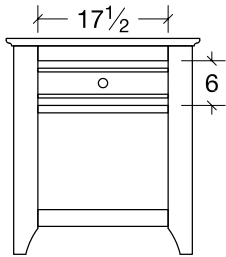
WOODROW BEDROOM COLLECTION SPECIFICATIONS



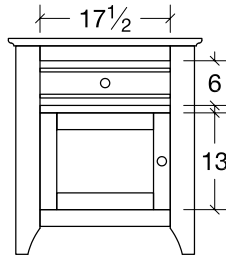
Dresser (WWDR72)
10 drawer
72w x 19d x 43h



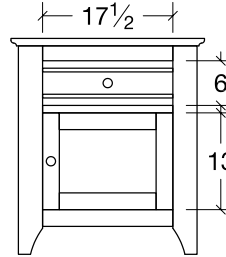
Dresser (WW7DR66)
7 drawer
66w x 19d x 38h



Night Stand (WWNS1)
1 drawer
26w x 16 1/2d x 29h



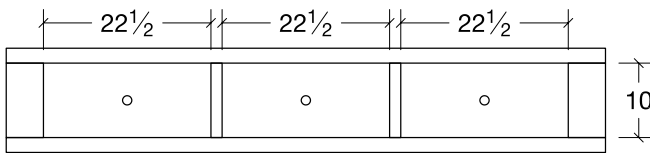
Night Stand (WWNSIDL)
1 drawer, 1 door
26w x 16 1/2d x 29h



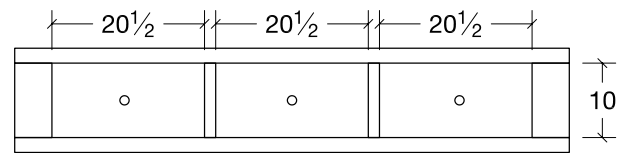
Night Stand (WWNS1DR)
1 drawer, 1 door
26w x 16 1/2d x 29h



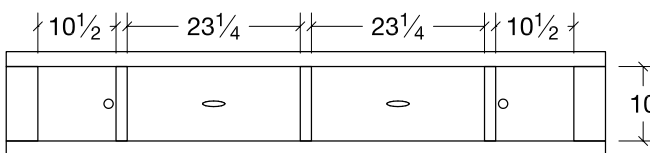
Night Stand (WWNS3)
3 drawer
26w x 16 1/2d x 29h



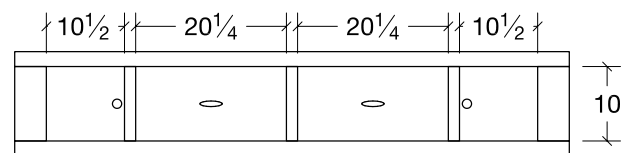
Storage Rail, King and Queen
3 drawer
80 1/2w x 14h



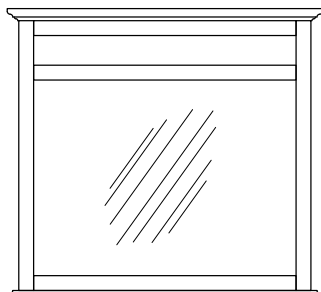
Storage Rail, Full
3 drawer
74 1/2w x 14h



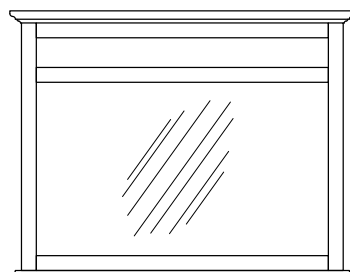
Storage Rail, King and Queen
2 drawer, 2 door
80 1/2w x 14h



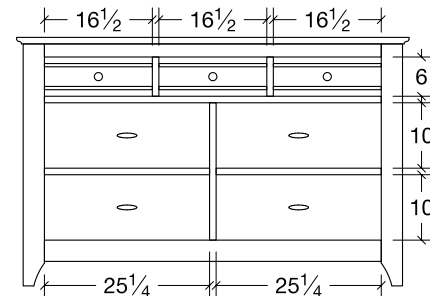
Storage Rail, Full
2 drawer, 2 door
74 1/2w x 14h



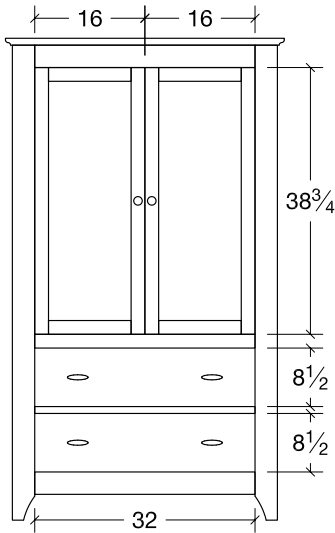
Mirror (WWMR)
42 1/2w x 39h



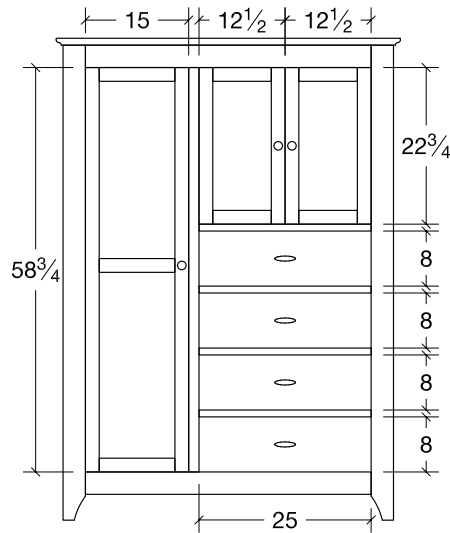
Mirror (WWMR46)
46w x 36h



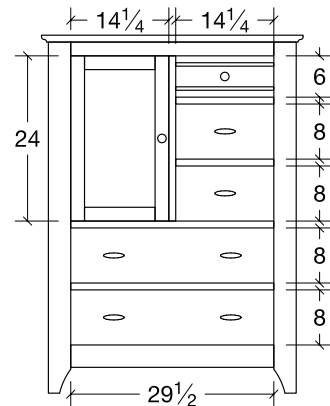
Dresser (WWDR60)
7 drawer
60w x 19d x 38h



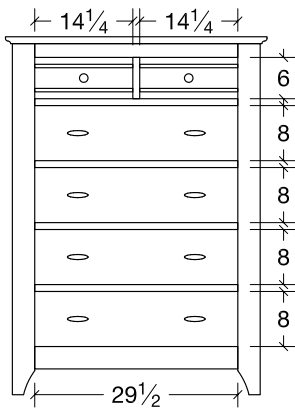
Armoire (WWAR) *2 shelves
2 drawer, 2 door
40½w x 22d x 70h



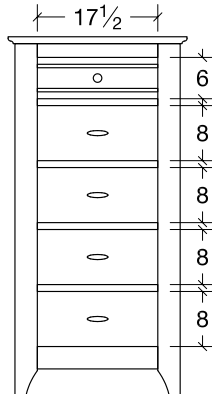
Chifferobe (WWCB) *1 shelf behind
small doors
*3 shelves and 1 rod
behind long door
4 drawer, 3 door
50w x 22d x 70h



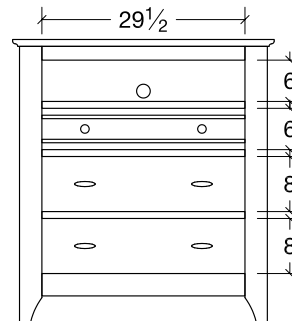
Door Chest (WWDRC) *1 shelf behind door
5 drawer, 1 door
38w x 19d x 52h



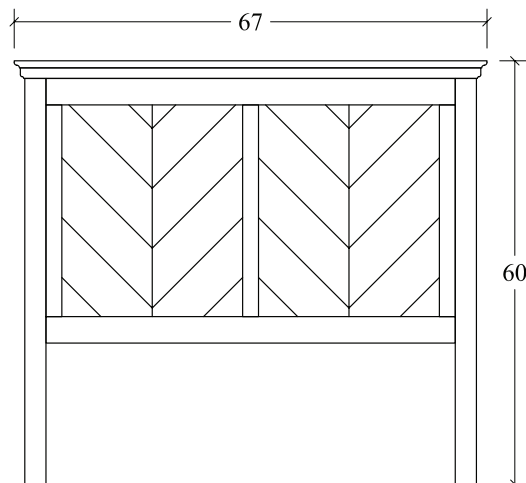
Chest (WWCD)
6 drawer
38w x 19d x 52h



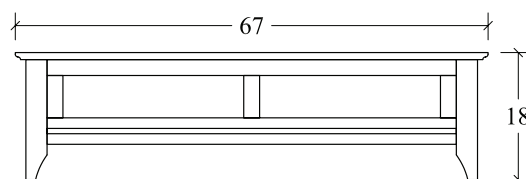
Lingerie Chest (WWLC)
5 drawer
26w x 16½d x 52h



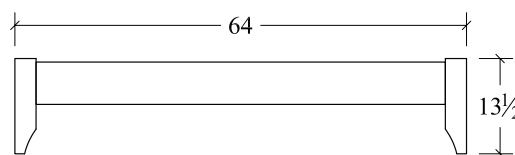
Media Chest (WWMC)
3 drawer
38w x 19d x 41h



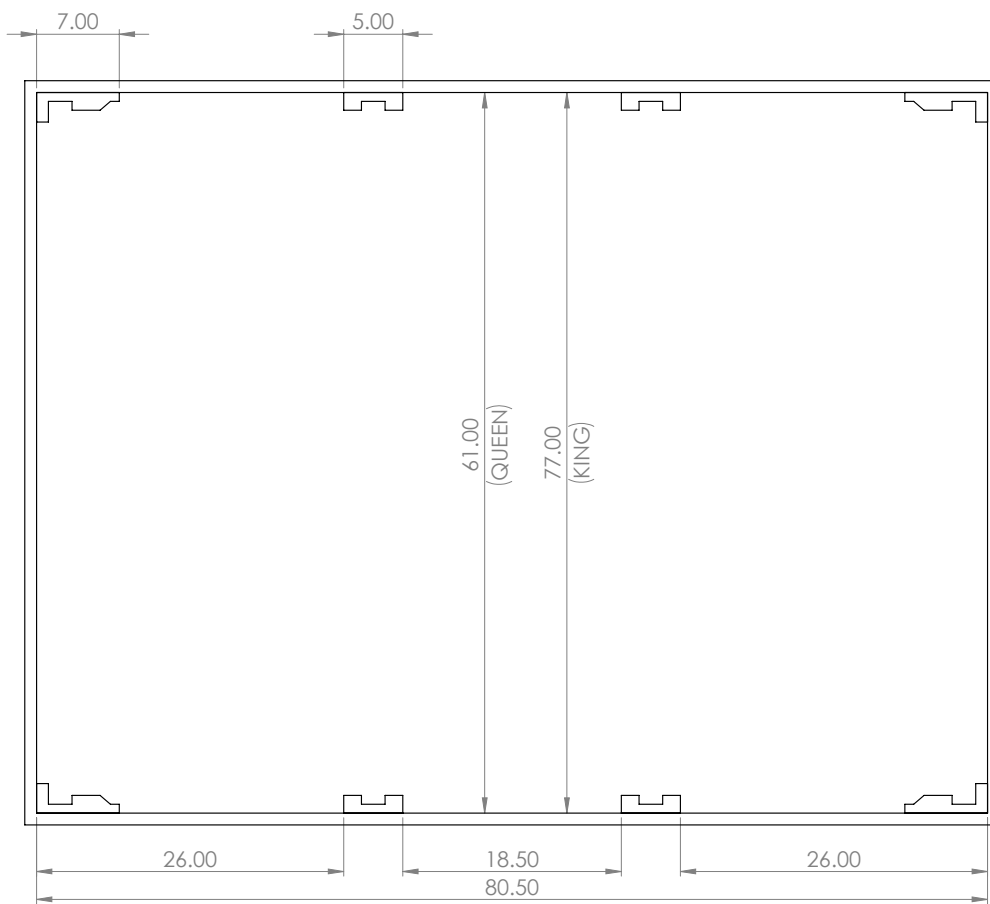
Queen Headboard (WWQB)
67w x 60h



Queen Footboard (WWQB)
67w x 18h



Queen Low Footboard (WWQB)
64w x 13½h



Beds can accommodate adjustable bed frames. See drawing to confirm dimensions.

All bedroom storage rails are only available with sidemount slides



FEATURES, OPTIONS, & CARE

Customized beauty and the proper care of your furniture will enhance its place in your home and assure that it can endure the test of time. Your furniture can be handed from generation to generation to become a

**TIME-HONORED
FAMILY
HEIRLOOM.**

DINING FEATURES & OPTIONS

TRESTLE TABLE SELF-STORING FEATURES

42" x 60"
With Skirt: 0
Without Skirt: 4

42" x 66"
With Skirt: 0
Without Skirt: 4

48" x 60"
With Skirt: 2
Without Skirt: 2

48" x 66"
With Skirt: 2
Without Skirt: 2

42" x 72"
With Skirt: 2
Without Skirt: 2

48" x 72"
With Skirt: 0
Without Skirt: 4

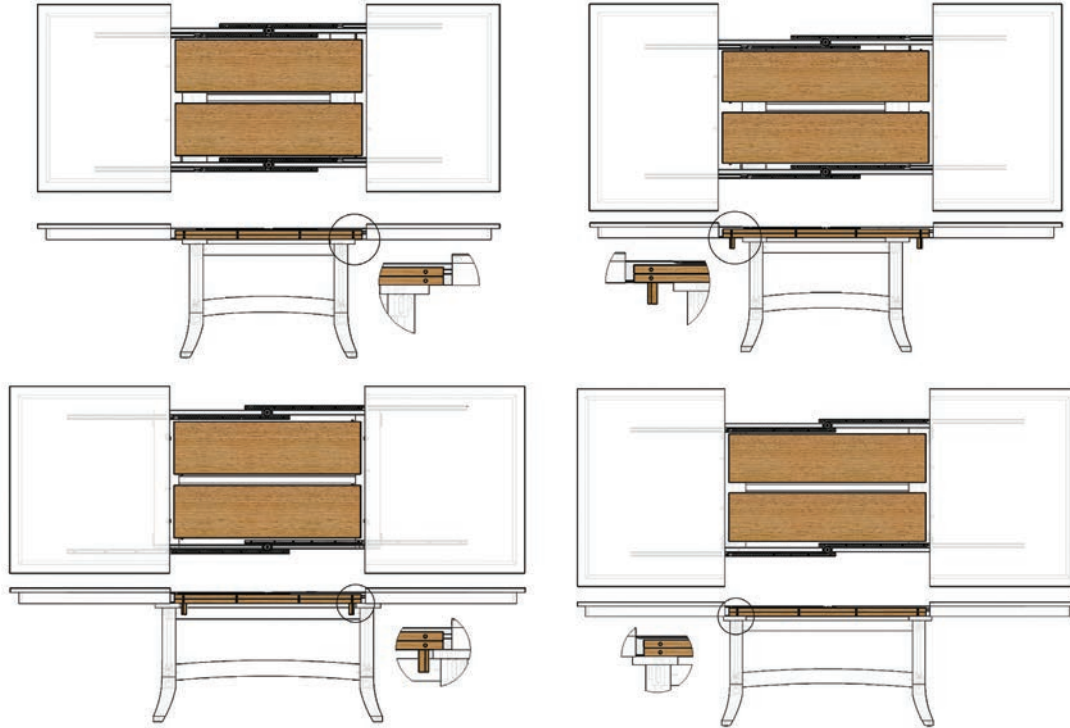


TABLE TOP STANDARD FEATURES



12" Table leaves can be stored inside the table to save valuable time and space.



Dining table legs are connected by a reinforced V-grooved corner block with 2 bolts.



1" solid wood table tops are fitted with steam-bent skirts.



Mortise and tenon construction adds strength to each piece.

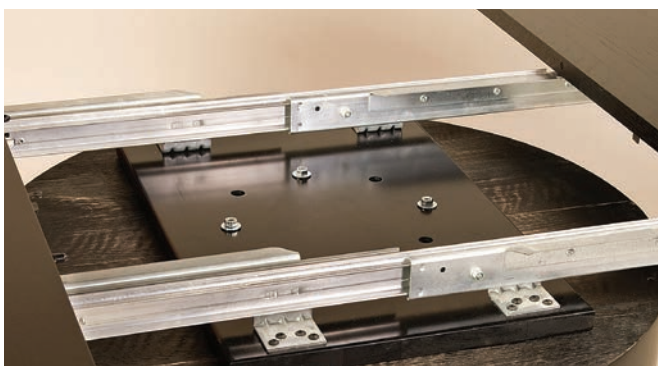


Each dining table is number-branded and signed by the craftsman who created your individual piece.



Each dining table's unique leaves receive that table's serial number and numerical label for installation.

PREMIUM SLIDE SYSTEM UPGRADE



These slides are second to none and well worth the upgrade! Slides will not warp or bind over time and will work as good in 40 years as the day they were installed. **BBS slides are not available on round tables with butterfly style leaves.*

BUTTERFLY LEAF DETAILS



Butterfly leaf round tables cannot be built using aprons on leaves or have BBS slides. Round tops with butterfly leaves are also not available any smaller than 42" in diameter. Butterfly leaf tables are not available in custom sizes.

SELF STORING SPECIFICATIONS

All tables will be built to self-store and leaf skirt will be added accordingly. If tables cannot self-store (all round or square tables), skirt will be added to leaves as a standard feature. Leaf skirt can be requested for all leaves but must be specified at time of order placement and may void self-storing, see the following rules:

- Self-store is not available on round or square table tops unless using 1" butterfly leaves.
- 1 3/8" thick tops can only self-store 1 leaf without skirt.
- Trestle tables and double pedestal tables with 1" thick top can store as follows: 36" wide will store 2-12" leaves, 42" wide will store 4-12" leaves, 2 with skirt and 2 without; 48" wide will store 4-12" leaves, all without skirt. Any double pedestal or trestle tables that is less than 72" long will only store 2 without skirt. Boat or Oval tops can only self store 2 leaves, 1 with skirt and 1 without.
- Leg tables with 1" thick top can store as follows: 36" wide will store 2-12" leaves without skirt, 16" leaves cannot self-store with 36" wide table; 42" wide will store 4-12" leaves, 2 with skirt and 2 without or 2-16" leaves, 1 with skirt and 1 without; 48" wide will store 4-12" leaves, 2 with skirt and 2 without or 2-16" leaves, 1 with skirt and 1 without; Boat or Oval tops can only self-store 2 leaves, 1 with skirt and 1 without; 42"x60" and 42"x66" leg tables with BBS slides can only self-store 2-12" leaves, 1 with skirt and 1 without or 2-16" leaves 1 with skirt and 1 without.

INLAY OPTION



Hayworth Inlay can be added to any top. Option includes 1 inlay at each end of table (2 inlays).

CENTER LEG GUIDELINES

36" & 42" Wide Rules: When adding 32" - 84" in leaves, table receives 1 center leg. When adding 84" - 120" in leaves, table receives 2 doubles (4 legs). When adding 120" +, table receives 1 double and 2 singles (4 legs).

48" Wide Rules: 32" - 48" in leaves, table receives 1 center leg. When adding 48" - 84" in leaves, table receives 1 double (2 legs). When adding 84" - 120" in leaves, table receives 2 doubles (4 legs). When adding 120" +, table receives 1 double and 2 singles (4 legs).

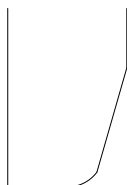
Solid Top Rules: 84" and longer receive 1 center leg.



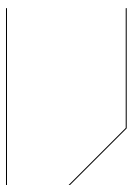
Leaf and table locks can be added to tables and leaves in order to hold table together however tables will no longer be able to self-store leaves.

DINING FEATURES & OPTIONS

EDGE PROFILES



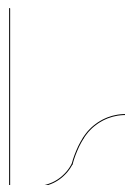
Bevel #EB



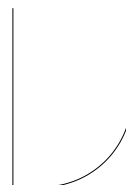
Chamfer #EC



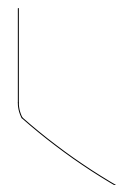
Mission #EM



Ogee #EO



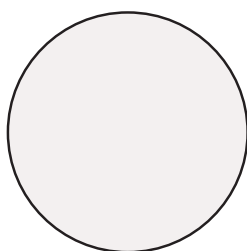
Roundover #ER



Underbevel #EU

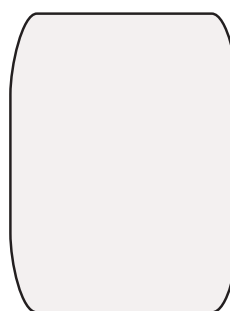
TABLE TOP SHAPES

Dining table tops are available in the sizes listed below. See bases for amount of leaves each size will accommodate.



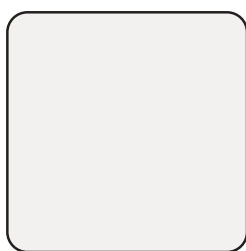
Round #TR

36" x 36"
42" x 42"
48" x 48"
54" x 54"
60" x 60"
72" x 72"



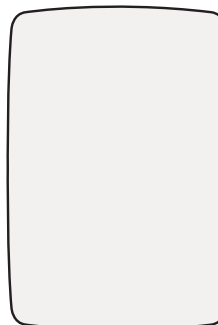
Boat Shape #TBS

36" x 36"	42" x 66"	48" x 72"
36" x 48"	42" x 72"	48" x 84"
36" x 54"	42" x 84"	48" x 96"
36" x 60"	42" x 96"	54" x 54"
42" x 42"	48" x 48"	60" x 60"
42" x 54"	48" x 60"	72" x 72"
42" x 60"	48" x 66"	



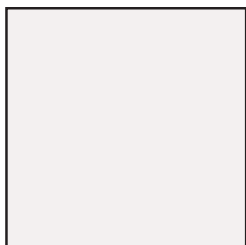
Square-Round #TSR

36" x 36"	42" x 66"	48" x 72"
36" x 48"	42" x 72"	48" x 84"
36" x 54"	42" x 84"	48" x 96"
36" x 60"	42" x 96"	54" x 54"
42" x 42"	48" x 48"	60" x 60"
42" x 54"	48" x 60"	72" x 72"
42" x 60"	48" x 66"	



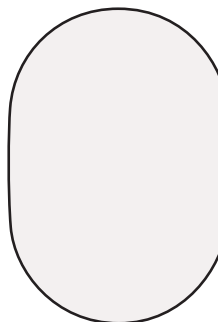
Banquet #TBT

36" x 36"	42" x 66"	48" x 72"
36" x 48"	42" x 72"	48" x 84"
36" x 54"	42" x 84"	48" x 96"
36" x 60"	42" x 96"	54" x 54"
42" x 42"	48" x 48"	60" x 60"
42" x 54"	48" x 60"	72" x 72"
42" x 60"	48" x 66"	



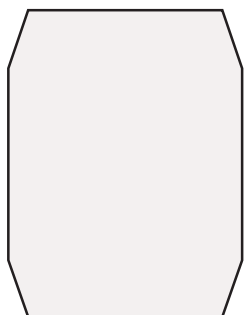
Mission #TM

36" x 36"	42" x 66"	48" x 72"
36" x 48"	42" x 72"	48" x 84"
36" x 54"	42" x 84"	48" x 96"
36" x 60"	42" x 96"	54" x 54"
42" x 42"	48" x 48"	60" x 60"
42" x 54"	48" x 60"	72" x 72"
42" x 60"	48" x 66"	



Oval #TO

36" x 48"	42" x 84"
36" x 54"	42" x 96"
36" x 60"	48" x 60"
42" x 54"	48" x 66"
42" x 60"	48" x 72"
42" x 66"	48" x 84"
42" x 72"	48" x 96"



Tapered #TT

36" x 36"	42" x 66"	48" x 72"
36" x 48"	42" x 72"	48" x 84"
36" x 54"	42" x 84"	48" x 96"
36" x 60"	42" x 96"	54" x 54"
42" x 42"	48" x 48"	60" x 60"
42" x 54"	48" x 60"	72" x 72"
42" x 60"	48" x 66"	

TABLE BASE OPTIONS

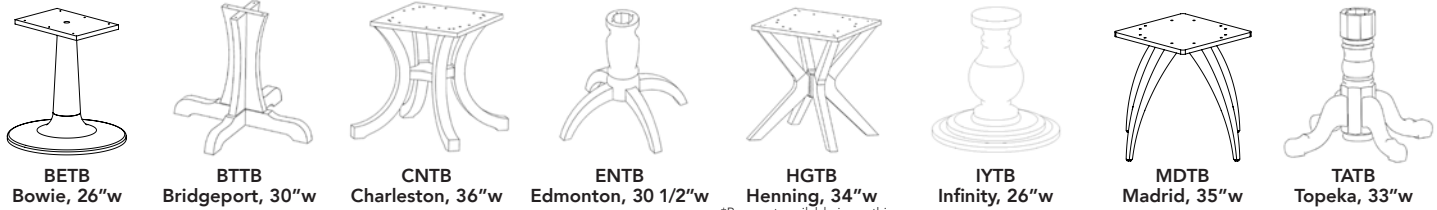
LEGS

Maximum extended size with leaves installed for leg bases is 216" in length. Any leg table over 2 leaves will have a center leg added for support. Round or oval tops will be built with square skirt.

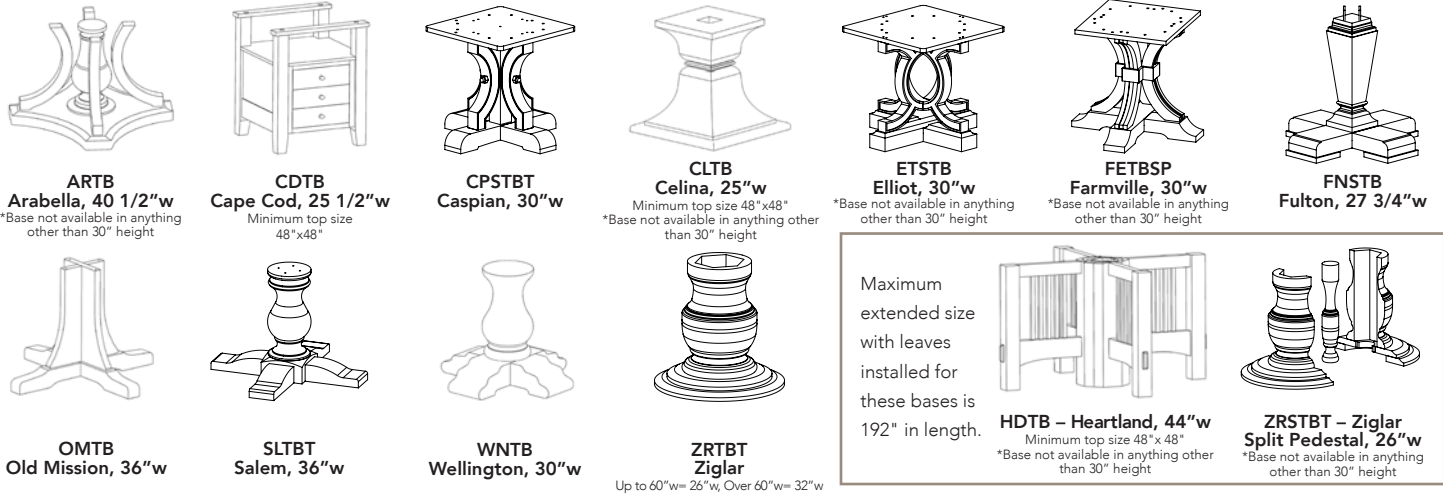


SINGLE PEDESTALS

Maximum extended size with leaves installed for these bases is 66" in length.

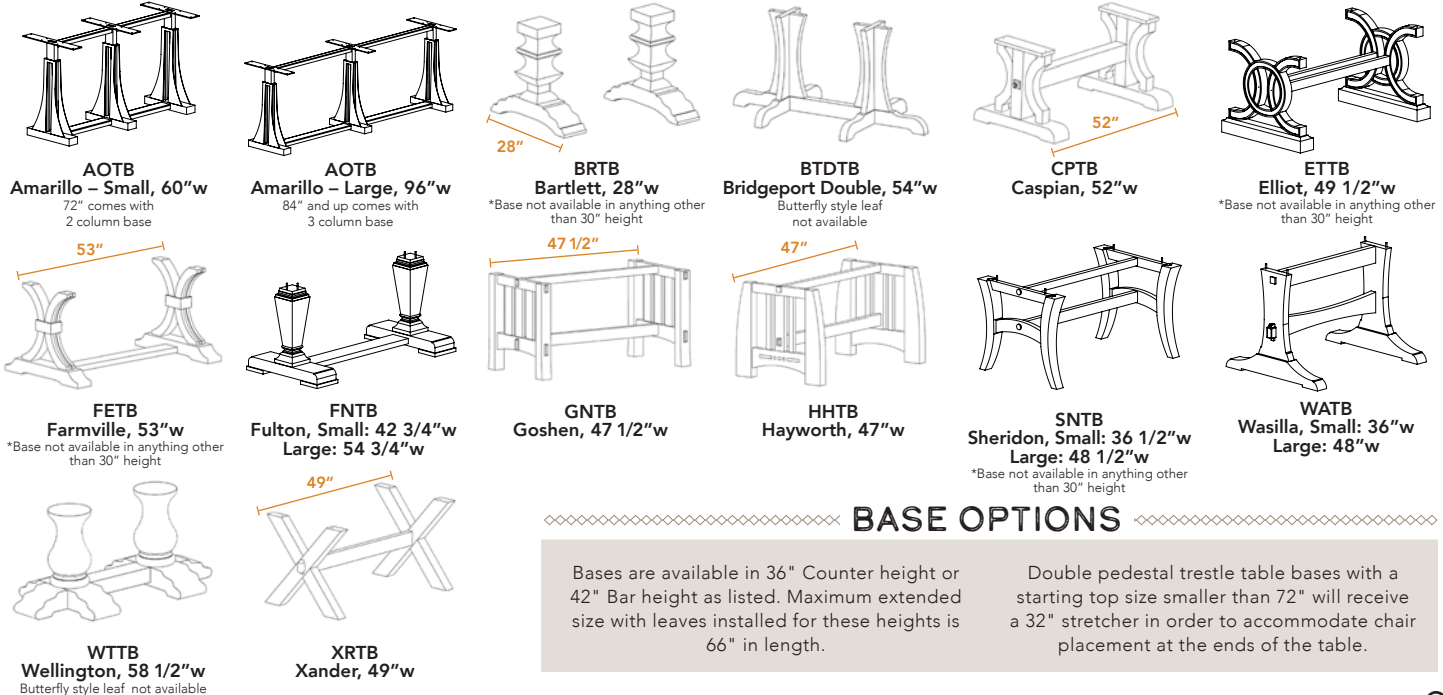


Maximum extended size with leaves installed for these bases is 72" in length.



DOUBLE PEDESTALS

Maximum extended size with leaves installed for this base is 120" in length.



BASE OPTIONS

Bases are available in 36" Counter height or 42" Bar height as listed. Maximum extended size with leaves installed for these heights is 66" in length.

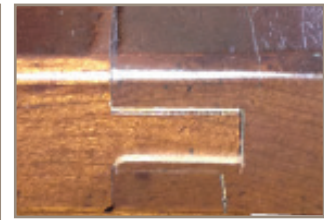
Double pedestal trestle table bases with a starting top size smaller than 72" will receive a 32" stretcher in order to accommodate chair placement at the ends of the table.

CHARACTERISTICS OF SPECIAL TABLE TOPS

Plank Top

A plank-style top is created by randomly joining boards with bread-boarded ends and in varying widths from 2 to 13 inches. Depth of offset from board to board as much as $\frac{3}{8}$ " as well as the number of visible saw cuts will also vary from top to top. Due to the individual uniqueness of each plank top, widths, depth of offsets and saw mark patterns or locations cannot be specified when ordering.

Humidity will affect these types of tops more than a standard top with no breadboards. The breadboards and the boards on the table are moving opposite ways since the grain direction is not the same. This causes shifting of up to $\frac{3}{4}$ ", gapping and the tongue and groove area to sometimes be exposed. Correcting the humidity level in the room will help minimize shifting and gapping, but none of the inconsistencies found in plank-style tops or any top with bread-boarded ends are considered defects. They should, instead, be embraced as unique characteristics of each piece of furniture handcrafted in this manner.



Showing an **exposed groove** in breadboard



Showing an **exposed board** at breadboard joint



Example of edge with greater angle



Example of edge with little angle

Live-Edge Glue-Up Top

Live-edge glue-up tops are $1\frac{3}{8}$ " thick with live edge pieces on each side and random staves glued in between to achieve the required width. Width is still approximate because of the variation of shapes of the edges. Width can vary by as much as 14" due to the random shapes of the trees from which these pieces are cut. The angle of the edge is determined by where within the log the board was extracted. A table edge without an angle would have been cut from the center of the log. If it has a sharper angle, it means the board was taken close to the outside of the log. One advantage that a glue-up top has compared to a bookmatch live edge slab is that glue-ups tend to be more stable resulting in less cracking and movement as well as lesser cost because of the thickness.

Example of shape without a lot of variation



SEATING FEATURES & OPTIONS

CHAIRS

CHAIR FEATURES

- Constructed with solid hardwoods
- Glued mortise and tenon joints
- Accurately leveled for stability
- Fabric and leather seats are hand selected for consistency

CHAIR OPTIONS

- Distressed finish (#2D)
- Two-tone finish (#2TN)
- Fabric and leather seats available
- Bar stools are available in 24" or 30" high
- Caswell gas desk chair base (#CGL)



Joined using both **screws and glue**



Corner block strengthens corners



Caswell Gas Lift Base #CGL
 - When ordering, add desk chair base style # to end of arm chair # for correct item code
 - Only available on arm chairs



Solid wood chair backs and table aprons are steam bent during a process that takes days to complete. Once bent, these solid wood parts will last for many lifetimes.



Protective Stretcher Cover (#PC)

- Protective cover available in Black and Brushed Stainless. Covers are available on bar chairs only.



FABRICS & LEATHERS

FABRICS

One Less Thing to Worry About!

Performance Fabrics are engineered for easy maintenance, comfort, and durability. Performance Fabrics are soft, durable, and stain-resistant. These fabrics are available in a wide array of textures and vibrant colors. Breakthrough protection is woven into every fiber so it won't ever wear away.

Easy Clean:

Performance Fabrics are easy to clean, but are not self-cleaning. Most liquid spills will simply blot off the surface with a dry towel. And for more difficult stains, just follow these simple spot-cleaning instructions:

- Wipe away excess mess using a clean, dry towel
- Mix a simple soap and water solution*
- Apply and agitate with a soft-bristle brush
- Blot with a clean towel
- Rinse thoroughly, repeat if necessary

*We recommend mixing 1 tsp. enzyme laundry detergent, like Tide® or Cheer®, with 2 cups warm water. And remember, soap attracts dirt, so rinse thoroughly.



LEATHERS

Descriptions:

- Premium top-grain glove-soft leather, offers exceptionally soft, silky, hand feel
- Soft silk hand enhanced with the application of a wax touch agent.
- A slightly contrasting crust color is randomly top-sprayed with a translucent solution of highly dispersed micro-pigments to give this leather gentle clouding or smoke effect.
- The natural glow and depth created enhances the sophisticated appearance of this leather.

Thickness:

- 0.9 – 1.0 mm thick

Natural Visibility:

- Some natural marking visible

Finish:

- Top-grain, aniline drum-dyed, micro-pigmented topcoat.
- Moderate protection from application of micro-pigmented topcoat.
- The beauty of aniline drum-dyed leather is the lack of uniformity. The dye does not color all sections of the hide uniformly due to the tissue (or cell) structure.
- The neck may be a bit lighter or darker than the butt; the rib and fat wrinkles may be outlined in a slightly darker cast.

Care & Cleaning:

Vacuum or dust with a soft brush regularly.

For Spots and Spills:

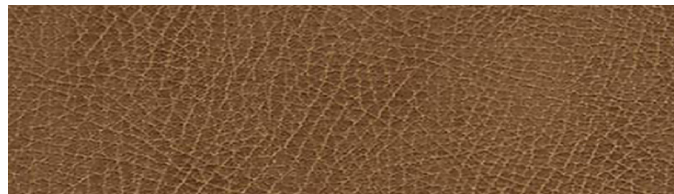
- Gently blot excess liquid with a clean absorbent cloth
- Let air dry naturally

For Butter, Oil, or Grease:

- Absorb excess with a clean, dry cloth
- Leave alone
- Spots should dissipate over a moderate time

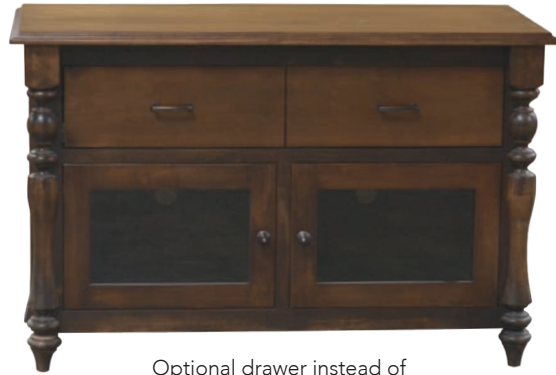
Do not apply any shoe polish, ammonia water, oils, or any other chemical solutions.

Recommended: Car and Cleaning kits such as those provided by Leather Master. The natural oils are sealed in for permanent and carefree beauty.



Any fabrics or leathers not in the current book will be treated as COM and must be sent to Fusion.

MEDIA FEATURES & OPTIONS



Optional drawer instead of sound bar opening (#OD)



Optional flip-down glass or wood drawer front for sound bar opening (#OGD)



Removable backs provide easy access for installation of new components



Vented shelves and floors protect your media



Easy gaming and accessory storage

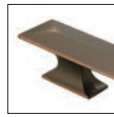
Solid wood is used throughout our construction process including case goods and beds however there are times when the design or construction of the item requires us to use some MDF core plywood in order to prevent shrinking or expanding that could be detrimental to the integrity of the piece. There are many different types of plywood cores including veneer core, MDF core and Partical board however all of these are considered plywood which means a veneered piece of wood over a substrate. The reason MDF core is used in a lot of the furniture industry including kitchen cabinets is that it is considered the premier "plywood" to use due to it having a more consistent flat surface. Veneer core can have a "rippling" effect because it is softer in some spots than others making a smooth surface difficult to achieve. Also veneer core plywood will still have a tiny bit of movement where MDF core will not.

HARDWARE

Pictures are not accurate assessment of size. See measurements for actual size.



A-1 Satin Nickel 5 1/2"



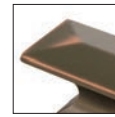
A-2
Oil Rubbed
Bronze



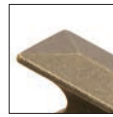
A-3
Windover
Antique



B-2 Satin Nickel 1 3/4"



B-3
Oil Rubbed
Bronze



B-4
Windover
Antique



BH-1
Beacon Hill Handle
Black Iron, 12" Wide



BH-2
Beacon Hill Knob
Black Iron, 1 1/2"



C-3 Antique English 3 3/4"



C-4
Black Iron



D-4 Antique English 1 1/4"



D-5
Black Iron



E-5 Oil Rubbed Bronze 1 1/4"



E-6
Antique
English



E-7
Dark Brushed
Copper
Machined



E-8
Dark Brushed
Antique
Copper



E-9
Satin Nickel



Satin Nickel
F-6 5 1/2" wide
F-7 15" wide



G-7 Satin Nickel 1 1/2"



H-8 Black 3 3/4" x 2"



H-9
Antique English



I-9 Available in
Black or Finished 1 1/4"



J-10 Black Iron 1 1/4"



K-11 Satin Nickel 3 3/4"



K-12
Veneti Bronze



M-13 Black 1" x 3 3/4"



M-14
Antique English



N-14 Available in Black
or Finished 1 1/2"



O-16
Black Bronze

O-15 Satin Nickel 2"



P-16 Bright Nickel
Brushed Dull 3 3/4"



Q-17 Bright Nickel
Brushed Dull 1 1/4"



R-18 Satin Nickel 4 1/2"
R-2 Satin Nickel 6"



S-19 Antique English 3 1/2" x 1 1/2"



SO-1 Soma Knob
Antique Brass, 3 1/4"



Y-2 Oil Rubbed Bronze Dull 4"



U-3
Satin Nickel

U-1 Oil Rubbed Bronze 1 1/4"



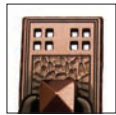
U-2 Oil Rubbed Bronze 3 3/4"



W-1 Black 1 1/4" x 4 1/2"



W-3
Oil Rubbed Bronze



W-4
Antique Copper



W-6
Oil Rubbed Bronze



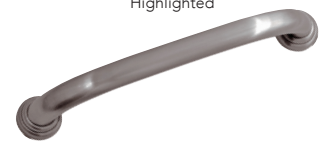
W-7
Antique Copper



W-2 Black 1 1/4" x 4 1/2"



X-1
Oil Rubbed Bronze
Highlighted



X-2 Satin Nickel, 5 1/8"



Y-1 Oil Rubbed Bronze Dull



Z-4 Satin Nickel, 1 1/4"



Z-3
Brushed Oil
Rubbed Bronze



Z-5
Pewter



Z-6
Antique English

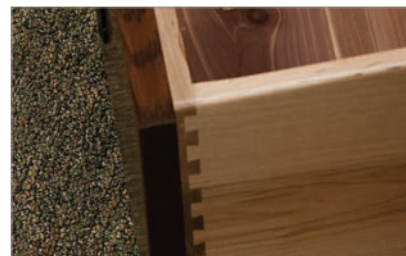
BEDROOM FEATURES & OPTIONS



Optional **footrail** instead of footboard is available on most beds.



Optional **underbed storage drawers**. Multiple storage rail configurations are available. See line drawings for details.



Dovetail joinery is a time-honored technique that connects each board with interlocking pins and tails.



Optional **LED night light** with touch switch (#LEDN)



Optional **sliding top nightstand** with secret compartment, lock and 3-plug power strip (#STP)



Optional **peg** for hanging clothes (#POR)



Cast metal brackets firmly hold bed slats in place providing solid support for every mattress size.



Most drawers are available with **cedar lining**.



Dressers and chests can be customized with **drawer dividers** and optional **felt-lined jewelry tray**.



Fusion Designs uses **floating panel construction**. Rubber space balls are inserted into the frame so the wood panels can expand and contract without causing damage. **Soft-close undermount drawer glides** assure quiet operation of solid wood drawers.



2 plug, 2 USB **power port** available in all nightstand top drawers (#DKD). Removable tray keeps drawer organized and can be used as a portable work surface.

Solid wood is used throughout our construction process including case goods and beds however there are times when the design or construction of the item requires us to use some MDF core plywood in order to prevent shrinking or expanding that could be detrimental to the integrity of the piece. There are many different types of plywood cores including veneer core, MDF core and Particle board however all of these are considered plywood which means a veneered piece of wood over a substrate. The reason MDF core is used in a lot of the furniture industry including kitchen cabinets is that it is considered the premier "plywood" to use due to it having a more consistent flat surface. Veneer core can have a "rippling" effect because it is softer in some spots than others making a smooth surface difficult to achieve. Also veneer core plywood will still have a tiny bit of movement where MDF core will not.

CARING FOR YOUR FUSION DESIGNS FURNITURE

Your new furniture is a reflection of your good taste. It combines nature's best materials with our Amish craftsmanship. To assure that your investment becomes a treasured heirloom to withstand the test of time, take the same care in maintaining the beauty of your furniture as you took in selecting it.

“Beautiful!”

PLACEMENT

Carefully consider where your new furniture is located in your home. Avoid setting it directly in front of radiators, heating vents, or wood-burning stoves as dry air can cause wood to dry out and crack.

HUMIDITY

The ideal indoor humidity range for solid wood furniture is 35-45%. An uncontrolled environment causes expansion and contraction which leads to splitting of the grain pattern or joints and gapping where leaves fit into the table. These conditions should be appreciated as inherent characteristics of solid wood and should not be assumed to be a defect in materials or workmanship.

PROTECTION & CLEAN UP

Simply dust furniture often with a soft cloth taking care to follow the grain pattern. Periodically clean with a mild, non-alkaline soap and water using a soft cloth or sponge. Dry immediately with a soft cloth and lightly buff wood grain. Avoid nail polish remover, alcohol, or other solvents. A high-quality furniture polish may be used occasionally, but do not use polishes that contain silicones. Your retailer can recommend a polish or wax.

LEAF STORAGE

Store extra table leaves in or close to table to maintain consistent environmental conditions (not in a damp basement or dry attic). By following these simple tips, you'll get many years of enjoyment from your new furniture and when you are ready to pass it on, the new owner's first word is sure to be, "Beautiful!"



You will need to register with us as the original owner of Fusion Designs furniture. Should the properly maintained furniture fail at any time during the ownership and lifetime of the original owner because of workmanship or materials defect, we will either repair or replace it upon our discretion. This warranty does not apply to damage due to normal use, misuse, neglect or abuse, exposure to extreme heat, cold or humidity or to damage done in transit. Customer is responsible for freight costs to and from the factory. Fusion Designs is not responsible for gapping or seasonal cracking on items after two years of age. One year warranty on all electronics. There is no warranty on custom items.

WOOD SPECIES & FINISHES



RED OAK

Red Oak has a pronounced open grain with an orange/reddish hue with the sapwood being white to light brown. The stain absorbs into this open grain pattern becoming darker where the grain is close and lighter where the grain is more open.

DURABILITY

Very durable with good wear-resistance, with a 1290 rating on the Janka Hardness scale*. The grain pattern can help hide minor dents and wear.



BROWN MAPLE

Brown Maple has a smooth grain pattern and is characterized by the varying brown, tan, white, and cream streaks. It absorbs medium to dark stains well and its smooth surface is ideal for painted finishes.

DURABILITY

It is a softer hardwood so it is more prone to scratches and denting with heavy use. It has a rating of 950 on the Janka Hardness scale*.



1/4 SAWN WHITE OAK

Quarter Sawn White Oak has a unique grain pattern which is achieved by cutting the wood at a 90 degree angle to the tree's growth rings which exhibits a tight grain with cooler white to sage tones. Quarter Sawn White Oak absorbs stains richly and evenly.

DURABILITY

Very durable with good wear-resistance with a rating of 1360 on the Janka Hardness scale*. The grain pattern can help hide minor dents and wear.



CHERRY

Cherry has a softer, circular grain pattern with minimal knots and pits throughout and slight white, brown, and deep red color variations throughout the wood. Over time the wood will darken with exposure to light and heat.

DURABILITY

Because it is softer hardwood, it is more prone to denting with heavy use. It has a rating of 950 on the Janka Hardness scale*.



RUSTIC CHERRY

Rustic Cherry has a softer, circular grain pattern with knots and pits throughout and contrasting white, brown, and deep red color variations throughout the wood. Over time the wood will darken with exposure to light and heat.

DURABILITY

Because it is a softer hardwood, it is more prone to denting with heavy use. It has a rating of 950 on the Janka Hardness scale*.



RUSTIC HICKORY

Rustic Hickory has a predominant grain pattern with knots and burls and contrasting reddish, cream and dark brown colors.

DURABILITY

It is the strongest wood type that we offer with a rating of 1820 on the Janka Hardness scale*. The grain pattern can help hide minor dents and wear.

*JANKA HARDNESS SCALE

This number helps determine how well a wood will withstand dents, dings, and wear. The higher the number the more durable the wood is.

FINISH COLORS

*Walnut is a 30% upcharge from Cherry cost

#01 Quartersawn White Oak



Asbury #30	Michaels #32	Toffee #99	Oatmeal #113	Harbor Gray #115

This cut differs from traditional cutting of oak as it is made parallel to the wood's age rings instead of across. This cut yields a board with amazing strength, much less likely to crack, check or warp than when it is flat sawn. White Oak produces a distinctive "stripping" which gives pieces a more antique look.

#02 Oak



Michaels #32	Medium #33	Mocha #70	Toffee #99	Pebble #100	Oatmeal #113	Autumn #51	Onyx #49	Flannel #118	Cider #116	Harbor Gray #115

Oak is a heavy, strong, light colored hardwood. Prominent rings and large pores give oak a coarse texture and prominent grain.

#03 Brown Maple



Asbury #30	Michaels #32	Black #44	New Century #45 distressed	White #46	Onyx #49	Antique Black #59	Chocolate #65	Hazelnut #68	Mocha #70	Shale #86	Toffee #99

Indicates 15% upcharge

Dew #103	Oatmeal #113	Aged Mineral #114	Harbor Gray #115

*Lighter colors will show more noticeable variation in color due to wood grain

This wood is cut from the center of various soft maple trees and not a specific species of tree. As it's from the center of the tree, it tends to run a range of colors from light to beige to medium brown. It's a smooth wood often finished with paint or darker finishes.

#04 Cherry



Asbury #30	Michaels #32	Autumn #51	Chilton #52	Washington #54	Hazelnut #68

A moderately hard, strong, closed grain, light to red-brown wood, cherry tends to resist warping and checking. Cherry is often used in fine furniture and cabinetry and looks great on colors ranging from light to dark. Cherry wood is also known to have small mineral deposits or character marks, these are not considered a defect.

#05 Rustic Cherry



Natural #53	Rustic Bourbon #74 distressed

* No longer will be sent out as a sample, but will be available to order (color is the same as Cherry but it would have rustic knots)

#06 Rustic Hickory



Natural #53	Peanut #58

Hickory is one of the heaviest and hardest woods available. It has a close grain without much figure. Hickory wood is often finished in lighter or natural. The rustic refers to the character marks that are noticeable in this cut of wood which can include worm holes, pits, knots, open grain and multiple marks. Knot holes will be filled on tops and chair seats only.

FINISHING OPTIONS

Distressed Option



Distressing can be added to create a worn or aged look to your furniture. Our distressing process is carefully created using hand tools such as handplanes, hammers and nails giving your furniture natural looking worm holes, dents, cracks and natural worn edges.

Two Tone



Customize your color combination by going with a two tone finish. Chair seats, table tops and case good tops can be a different color than the rest of the item, making this piece unique!

Painted Color Option

Fusion Designs also has painted colors available to help accent that special piece. Although paints are durable, it is not recommended for use on table tops.

Matte Finish Option

Fusion Designs also offers a matte option that creates a dull, flat finish. This means it will reflect very little light and will lack highlights and gloss.

FINISHING STANDARDS

Fusion Designs' modern finishing plant offers a wide variety of finishes including paint alternatives. Conversion varnish is applied to all surfaces to provide the best protection and durability. We use stains, sealers and lacquers with low VOC and HAPS to lessen the impact on the environment.

Fusion Designs uses a "secret" ingredient when mixing their varnish that results in the smooth, warm texture of the finished product. Our dealers have noted that if wearing a blindfold, they could pick out a Fusion Designs item from their floor just by the touch!

Although we try to match the colors shown here as close as possible to the actual woods and finishes, a color sample should be ordered to assure accuracy in colors. Finishes depicted here are paired with the wood & color combinations that are shown on samples. However, all woods shown can be paired with any of the listed colors even if not shown. We also recommend ordering a color sample if choosing a finish/wood combo that is not displayed on a sample.

Superior Stain Resistance

In independent testing with criteria similar to KCMA specifications, the finishes primarily used by Fusion Designs exhibited superior performance in resisting stains.

Chemical	Effect
Water	No Effect
Ethanol (50% in H ₂ O)	No Effect
Coffee (black)	No Effect
Vinegar	No Effect
Lemon juice	No Effect
Orange juice	No Effect
Grape juice	No Effect
Ketchup	No Effect
Olive oil	No Effect
Detergent solution	No Effect
Mustard*	No Effect
Soft drink	No Effect
Whiskey	No Effect
Shoe polish	Slight stain
Ethyl alcohol (100%)	Slight softening
Iodine	Stain

*Mustard test was 1 hour – all others were 24 hours



DISPLAYS

The dining room design center and the bar chair display are available for qualifying retailers. Please ask your representative for details.



Fusion Designs Dining Room Display

#1KD

Approximately: 24" w x 24" d x 80" h

The kiosk allows the customer to experiment with various wood stain colors, wood species, along with leg and hardware options. The swivel-leg design allows you to line up your leg choice with optional edge profiles.



INTERNET POLICY

Dear Valued Customer,

It has come to our attention that Fusion Designs tables are being offered for sale on the internet at prices that we consider too low. This has caused a great deal of dissatisfaction among our customers, because of the inability to have a level playing field.

A key component of the success of Fusion Designs has been a quality presentation of our products and a corresponding sales approach that provides the consumer with all of the information necessary to make a truly informed purchase decision. We have always believed that an essential ingredient of our success is the personal interaction between well-trained sales personnel and the retail consumer.

An integral part of ensuring consumer satisfaction is prompt and responsible warranty service. If our tables are sold through the internet to locations remote from that of the actual dealer, the quality of such follow up service usually is inadequate and our image with the consumer could be damaged. It is the dealer's responsibility to take care of such warranty issues.

In light of all the factors stated above, it is our preference that our product is sold in a retail store. However, because of having responsible dealers who sell on the internet at fair prices, we feel we cannot ban internet sales.

Therefore, in order to be fair to everyone, we will require that all online pricing have a new MAP of 120% off of our FINISHED pricelist. This includes sales that you may be running. Failure to comply with this requirement risks termination of dealership.

Here are a few guidelines for advertising our product on the internet: You may not promote "free shipping." Shipping needs to be an added cost, in addition to our required selling price. You should not advertise that you have lower prices because you have no overhead costs. Any reports of an internet company directing customers to a retail store to see furniture, with the intention of buying via the internet because of price, will result in termination of dealership.

We are confident that you will join us in appreciating the long-term benefits of this policy, which is effective immediately.

Sincerely,

Fusion Designs



**YOU'LL ADMIRE THE BEAUTY. YOU'LL
APPRECIATE THE VALUE. YOU'LL LOVE
THE LOOK!**

Fusion Designs continues to grow and add to the unique diversity of styles we offer in order to satisfy the most discriminating of shoppers. We're all about the details, start to finish. By selecting only the finest woods and quality hardware, our woodcrafters utilize the best-proven construction techniques to create furniture that is as durable as it is beautiful. Each piece is individually crafted, not mass produced. Our desire is to provide you with the highest quality furniture at the best value. Construction features like these set us apart...compare the integrity, compare the details.