



W Schwartz
Woodworking
LLC

2024 – 2025 | Quality Bedroom Furniture



About us...



Schwartz Woodworking is a third-generation family business, which was established in 1997 by my dad, Marvin Schwartz. More of the family got involved, and eventually my wife Ida and I took over in 2011. Our daughter and son, Megan and Kendall, grew up helping out in the shop at a young age. Megan's husband, Freeman is now our production manager, and Kendall is back after working in the RV industry for 5 years. He is in the office full time. Megan's a stay-at-home mom to the 2 grandkids, Jevan (5) and Sadie (3), who love to come visit the shop. We are blessed to have a great team of dedicated employees, some of which have been here for more than 15 years. Together, we're still committed to building quality bedroom furniture and providing great service to our customers.

— Cletus, Ida, and the Schwartz Family - 2024



Table of Contents



Abshire Collection	4, 146
Adrianna Collection	10, 147
Belwright Collection	14, 149
Breckenridge Collection	20, 150
Bungalow Collection	24, 151
Charleston Collection	28, 152
Durham Collection	32, 153
Edinburg Collection	36, 154
Encada Collection	40, 155
Farmhouse Collection	44, 156
Francine Collection	50, 157
Hamilton Court Collection	54, 158
Jacobson Collection	58, 159
Kensington Collection	62, 160
Larado Collection	66, 161
Laurel Collection	70, 162
Medina Collection	74, 163
Nova Collection	80, 164
Palisade Collection	86, 165
Royal Mission Collection	90, 166
Schwartz Mission Collection	94, 167
Sonoma Collection	98, 169
Tucson Collection	104, 170
Westmere Collection	110, 171
Woodmont Collection	114, 172
Benches – Blanket Chests	120
Desk Chests	122
Fabric Covered Beds	124
Beds (Other)	130
Hardware	140
Care of Wood / Warranty / Internet Policy / Sturdy Act	145
Drawings	146

All measurements in this catalog are listed as width x depth x height.





Abshire



Abshire Bed
with Fabric Headboard

Abshire Collection line drawings on page 146





Abshire



Abshire Bed
with Wood Panel Headboard

Abshire Collection line drawings on page 146

Abshire



ABD72
Abshire Dresser
6 drawer
72w x 21d x 35h

ABMR38
Abshire Mirror
44½w x 38h



ABNS328
Abshire Nightstand
3 drawer
28w x 21d x 29h

ABC5
Abshire Chest
5 drawer
36w x 21d x 53h



Hardware: TK740-BL Knob
TK741-BL Backplate

Wood: Oak

Stain: Allure
3 Sheen





ABD66
Abshire Dresser
6 drawer
66w x 21d x 35h

ABMR38
Abshire Mirror
44½w x 38h

Hardware: TK740-HB Knob
TK741-BL Backplate

Wood: Brown Maple

Stain: ST519 Oatmeal
3 Sheen

Paint: RNC-128
Natural Cream



Touch the sensor on the side and the soft glow will not disturb the sleeping. Option LEDN.



Now you can plug in anything with this PSO option. Features 2-110V outlets and 2 USB plug ins. Available on any nightstand.



Turn any small top dresser or chest drawer into a jewelry drawer with our SJT option.



ABGC
Abshire Grand Chest
5 drawer
42w x 21d x 53h



ABNS332
Abshire Nightstand
3 drawer
32w x 21d x 29h

STANDARD FEATURES:

- 1" solid tops
- Grooved column behind the hardware
- Soft-close under mount drawers 18" deep in dressers and chests
- Adjustable leveling glides on cases
- Black iron base
- Compliant to Sturdy Act – all clothing storage units

OPTIONAL FEATURES:

- No grooves behind hardware
- Underbed drawers SRO
- Exchange armoire shelves for clothes rod
- Additional hardware pgs.140-143





Adrianna

Adrianna Collection line drawings on page 147





ADD9
Adrianna Dresser
9 drawers
60w x 21d x 43½h

ADMH-1
Adrianna Mirror
40w x 33½h

Hardware: *K-519-96 DBN*

Wood: *Brown
Maple*

Stain: *Coffee*



BST
Bedstep
22w x 14½h





ADC6
Adrianna chest
6 drawers
35w x 21d x 48h



Our STP option turns most any nightstand into a secret hiding place... the power strip has 2-110V outlets and 2 USB plug ins.



Turn any small top dresser or chest drawer into a jewelry drawer with our SJT option.



Now you can plug in anything with this PSO option. Features 2-110V outlets and 2 USB plug ins. Available on any nightstand.



ADNS30
Adrianna Nightstand
3 drawers w/opening
26½w x 17d x 32½h

STANDARD FEATURES:

- 1" solid tops
- Full access drawers 18" deep in dressers and chests
- Beveled mirrors
- Adjustable leveling glides on cases
- Compliant to Sturdy Act – all clothing storage units

OPTIONAL FEATURES:

- Underbed drawers SRO
- Exchange armoire shelves for clothes rod
- Soft-close undermount drawers
- Additional hardware pgs. 140-143







Belwright

Belwright Collection line drawings on page 149





Belwright

Hardware: *A-868-MB*

Wood: *Brown Maple*

Stain: *ST519 Oatmeal
3 Sheen*

Belwright Collection line drawings on page 149

Belwright



BED9
Belwright Dresser
9 drawers
68w x 22d x 48h

BEM52
Belwright Mirror
52w x 34h

Hardware: A-868-MB

Wood: Rustic Cherry with
Sawcut Distressing

Stain: Coffee Low Sheen



BENS3
Belwright Nightstand
3 drawers
27w x 19d x 30½h





BEDOC
 Belwright Door Chest
 5 drawers, 1 door
 42w x 22d x 52h



Our STP option turns most any nightstand into a secret hiding place... the power strip has 2-110V outlets and 2 USB plug ins.



Touch the sensor on the side and the soft glow will not disturb the sleeping. Option LEDN.



Our bed storage rail option SRO is available with most beds.

STANDARD FEATURES:

- 1" solid top with softened corners
- Applied molding trim on drawer fronts
- Applied molding trim on raised panel sides
- Soft-close under mount drawers 18" deep in dressers and chests
- Beveled mirrors
- Adjustable leveling glides on cases
- Compliant to Sturdy Act – all clothing storage units

OPTIONAL FEATURES:

- Sawcut distressing
- Underbed drawers SRO
- Exchange armoire shelves for clothes rod
- Additional hardware pgs.140-143







Collection shown in
Heartland Black Leather



Breckenridge

Breckenridge Collection line drawings on page 150



Breckenridge



BRD10
Breckenridge Dresser
10 drawers
66½w x 23¼d x 45h

BRMV-1
Breckenridge Mirror
52w x 31h



Pull
out
shelf

BRNS3
Breckenridge
Nightstand
3 drawers
pull out tray
24½w x 18¼d x 29½h



Hardware: *P-3448-VB Pull
650 DBAC Knob*

Wood: *Quarter-sawn
White Oak*

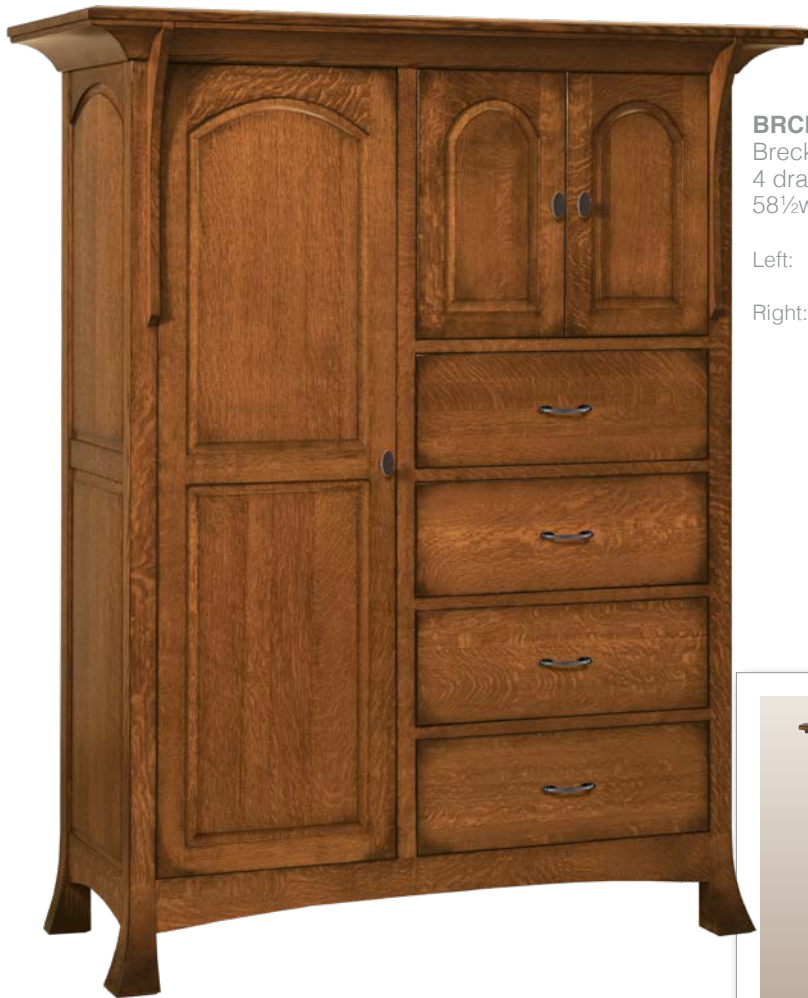
Stain: *Michael's Cherry
w/Dry Brush*



BRSB
Breckenridge
Storage Bench
49w x 19d x 29h
inside storage:
42w x 12d x 7h



BRNS1
Breckenridge
Nightstand
1 drawer
pull out tray
24½w x 18¼d
x 29½h



BRCH

Breckenridge Chifforobe
4 drawers, 3 doors
58½w x 25¼d x 73h

Left: 3 shelves
1 clothes rod
Right: 1 shelf

BRC6
Breckenridge Chest
6 drawers
42½w x 23¼d x 53h



BRDOC

Breckenridge Door Chest
5 drawers, 1 door
42½w x 23¼d x 53h

Left: 1 shelf



Our STP option turns most any nightstand into a secret hiding place... the power strip has 2-110V outlets and 2 USB plug ins.



Touch the sensor on the side and the soft glow will not disturb the sleeping. Option LEDN.



Turn any small top dresser or chest drawer into a jewelry drawer with our SJT option.



Our bed storage rail option SRO is available with most beds.

STANDARD FEATURES:

- 1" solid tops
- Pull out shelf in nightstand
- Soft-close under mount drawers 18" deep in dressers and chests
- Beveled mirrors
- Adjustable leveling glides on cases
- 10" siderails on bed
- Soft-close doors
- Compliant to Sturdy Act – all clothing storage units

OPTIONAL FEATURES:

- Leather padded head- and footboard
- Wood panel head- and footboard
- Underbed drawers SRO
- Exchange armoire shelves for clothes rod
- Additional hardware pgs.140-143





Bungalow

Bungalow Collection line drawings on page 151

Bungalow



BUD7
Bungalow Dresser
7 drawers
63w x 22d x 41h

BUMT
Bungalow Mirror
41½w x 40½h



BUNS3
Bungalow Nightstand
3 drawers
24¾w x 18d x 30h



BUC6
Bungalow Chest
6 drawers
44w x 22d x 52h

Hardware: K-2980 ORB Knob

Wood: Cherry

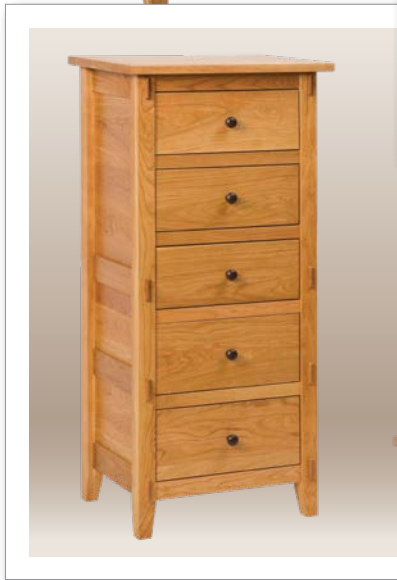
Stain: Fruitwood





BUA
 Bungalow Armoire
 One piece, 2 drawers, 2 doors
 39w x 22d x 67h

2 shelves



BULC
 Bungalow
 Lingerie Chest
 5 drawers
 24³/₄w x 18d x 52h



BUNS2D
 Bungalow Nightstand
 1 drawer, 2 doors
 24³/₄w x 18d x 30h



BUDOC
 Bungalow Door Chest
 5 drawers, 1 door
 44w x 22d x 52h



Our STP option turns most any nightstand into a secret hiding place... the power strip has 2-110V outlets and 2 USB plug ins.



Touch the sensor on the side and the soft glow will not disturb the sleeping. Option LEDN.



Turn any small top dresser or chest drawer into a jewelry drawer with our SJT option.



Now you can plug in anything with this PSO option. Features 2-110V outlets and 2 USB plug ins. Available on any nightstand.

STANDARD FEATURES:

- 1" solid tops
- Soft-close under mount drawers 18" deep in dressers and chests
- Beveled mirrors
- Adjustable leveling glides on cases
- Two adjustable shelves in armoire
- Soft-close doors
- Exposed tenons
- Compliant to Sturdy Act – all clothing storage units

OPTIONAL FEATURES:

- Without exposed tenons
- Underbed drawers SRO
- Exchange armoire shelves for clothes rod
- Additional hardware pgs. 140-143







Charleston



Highland Bed
shown with storage rail option
SRO18

Charleston Collection line drawings on page 152



CHDOC
Charleston Chest
6 drawer, 1 door
42w x 22d x 57½h



CHNS3
Charleston Nightstand
3 drawer
27w x 18d x 32½h

CHD8
Charleston Dresser
8 drawer
57w x 22d x 47h

CHMU-1
Charleston Mirror
41½w x 33h



Hardware: 3062-BI Knob
Wood: Rustic Cherry
Stain: Honey





CHA
 Charleston One Piece Armoire
 2 drawer 2 door
 44w x 22d x 70h
 2 shelves



CHBC
 Charleston Blanket Chest
 Available w/cedar bottom insert
 (cushion optional)
 48w x 20d x 28h



Our STP option turns most any nightstand into a secret hiding place... the power strip has 2-110V outlets and 2 USB plug ins.



Touch the sensor on the side and the soft glow will not disturb the sleeping. Option LEDN.



Now you can plug in anything with this PSO option. Features 2-110V outlets and 2 USB plug ins. Available on any nightstand.



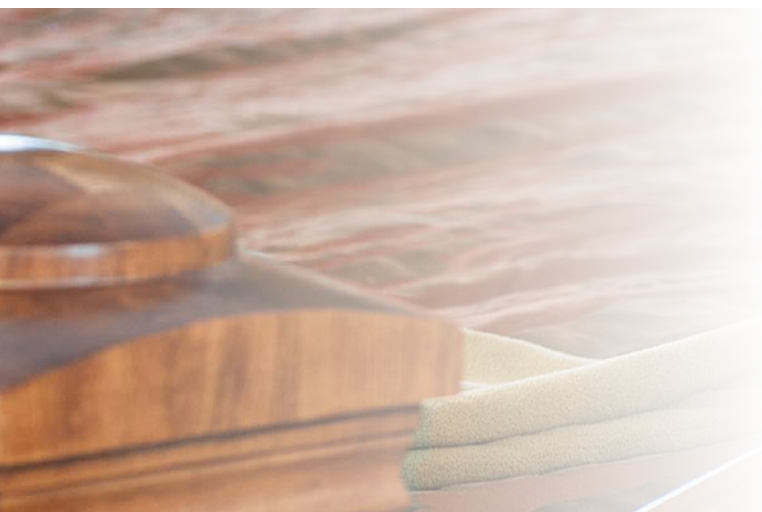
Cedar Drawer Bottom. Option CDB is available with any drawer. (Specify which drawer.)

STANDARD FEATURES:

- 1" solid tops
- Soft-close under mount drawers 18" deep in dressers and chests
- Beveled mirrors
- Adjustable leveling glides on cases
- Two adjustable shelves in armoire
- 10" siderails on bed
- Compliant to Sturdy Act – all clothing storage units

OPTIONAL FEATURES:

- Underbed drawers SRO
- Exchange armoire shelves for clothes rod
- Additional hardware pgs. 140-143







Durham



Durham Bed
without canopy posts

Durham Collection line drawings on page 153

DUD60
Durham Dresser
6 drawer
60w x 21¹/₄d x 38h

DUMR46
Durham Mirror
40¹/₂w x 46h



Hardware: JA293-224BNDBL

Wood: Brown Maple

Stain: Bel Air
Low Sheen

DUD2D
Durham Dresser
4 drawer, 2 door
52w x 21¹/₄d x 35h

DUMR40
Durham Mirror
38¹/₂w x 40h

Hardware: 55278BBZ

Wood: Oak

Stain: Seagrass
Low Sheen



Top Drawers
Felt Lined





DUNS2
Durham Nightstand
2 drawer
27w x 18d x 28h

DUNS32
Durham Nightstand
2 drawer
32w x 18d x 28h

Hardware: 55278BBZ

Wood: Oak

Stain: Seagrass
Low Sheen



DUC5
Durham Chest
5 drawer
40w x 21¹/₄d x 53¹/₂h



Touch the sensor on the side and the soft glow will not disturb the sleeping. Option LEDN.



Turn any small top dresser or chest drawer into a jewelry drawer with our SJT option.



Our STP option turns most any nightstand into a secret hiding place... the power strip has 2-110V outlets and 2 USB plug ins.



Bed storage rail option SRO

STANDARD FEATURES:

- 1³/₈" tops
- Solid Side
- Soft-close under mount drawers 18" deep in dressers and chests
- Adjustable leveling glides on cases
- Beveled mirrors
- Compliant to Sturdy Act – all clothing storage units

OPTIONAL FEATURES:

- Underbed drawers SRO
- Additional hardware pgs.140-143





Edinburg

Edinburg Collection line drawings on page 154



EDD8
Edinburg Dresser
8 drawer
66w x 22d x 44h

EDMR51
Edinburg Mirror
51½w x 40½h



EDNS2
Edinburg Nightstand
2 drawer
32w x 17d x 30h

Hardware: 36907-FB Knob
4160-MB Pull

Wood: Oak

Stain: OCS-HUSK





EDDOC
Edinburg Door Chest
5 drawer, 1 door
42w x 22d x 55½h



EDNS10
Edinburg
Night Stand
1 drawer
27w x 17d x 30h



EDC5
Edinburg Chest
5 drawer
42w x 22d x 54h



Our STP option turns most any nightstand into a secret hiding place... the power strip has 2-110V outlets and 2 USB plug ins.



Touch the sensor on the side and the soft glow will not disturb the sleeping. Option LEDN.



Cedar Drawer Bottom. Option CDB is available with any drawer. (Specify which drawer.)

STANDARD FEATURES:

- 1" solid tops
- Turned spindle legs
- Framed in top drawers on dressers and chests
- Adjustable levelers on cases
- Soft-close under mount drawers 18" deep in dressers and chests
- Compliant to Sturdy Act – all clothing storage units

OPTIONAL FEATURES:

- Underbed drawers SRO
- Exchange armoire shelves for clothes rod
- Additional hardware pgs.140-143





Encada

Encada Collection line drawings on page 155

Encada



END9
Encada Dresser
9 drawer
68w x 21 $\frac{1}{2}$ d x 48h

ENM54
Encada Mirror
54w x 34h

ENB48 (shown)
Encada Bench
48w x 16d x 19h

ENB36
36w x 16d x 19h



ENSB
Encada
Storage Bench
49w x 19d x 29h



ENBC
Encada Blanket Chest
48w x 21d x 28h

Hardware: P3672BI

Wood: Rustic Cherry

Stain: Burnt Unber
Low Sheen





ENDOC
Encada Door Chest
5 drawer, 1 door
42w x 21¹/₂d x 53h

1 shelf



Touch the sensor on the side and the soft glow will not disturb the sleeping. Option LEDN.



ENNS1D
Encada Nightstand
1 drawer, 1 door
24w x 18³/₄d x 30h



Turn any small top dresser or chest drawer into a jewelry drawer with our SJT option.



Cedar Drawer Bottom. Option CDB is available with any drawer. (Specify which drawer.)



ENNS3
Encada Nightstand
3 drawer
27w x 18³/₄d x 30h

Hardware: *PN8005*

Wood: *Quarter Sawn White Oak*

Stain: *Michael's Cherry*



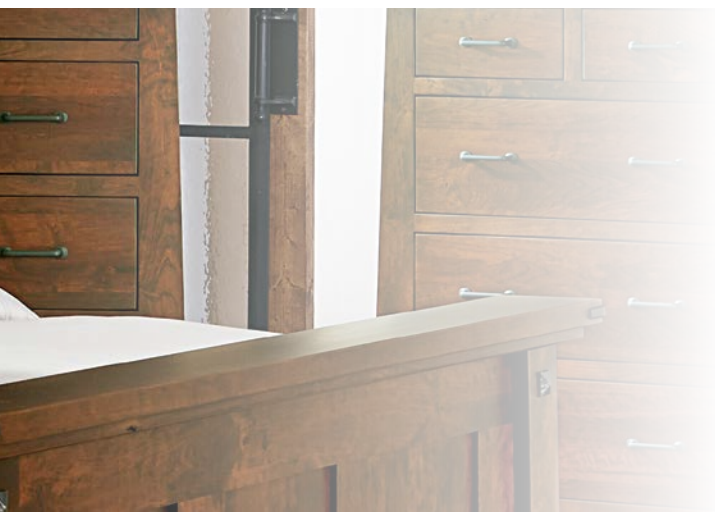
Bed storage rail option SRO

STANDARD FEATURES:

- 1³/₈" solid tops
- Soft-close under mount drawers 18" deep in dressers and chests
- 1/2" walnut spline embedded into edge of tops
- Black hammered decorative tacks
- Angled reverse panel sides
- Beveled mirrors
- Adjustable leveling glides on cases
- Compliant to Sturdy Act – all clothing storage units

OPTIONAL FEATURES:

- No tacks
- No walnut spline
- Underbed drawers SRO
- Additional hardware pgs.140-143







Collection shown with Farmhouse Signature Bed



Farmhouse



Farmhouse Loft Queen Bed

Farmhouse Collection line drawings on page 156





Collection shown with
Farmhouse Loft Bed



Farmhouse



Farmhouse Signature Bed

Farmhouse



FHDR6
Farmhouse Dresser
6 drawer
66w x 22d x 38¹/₂h

FHMR40
Farmhouse Mirror
47w x 40h



FHNS3
Farmhouse Nightstand
3 drawer
27w x 17¹/₂d x 30h

FHC5
Farmhouse Chest
5 drawer
40w x 22d x 52¹/₂h



FH6DR60
Farmhouse Dresser
6 drawer
60w x 22d x 38¹/₂h



FHMRRD
Farmhouse Mirror
38w x 38h

Hardware: BP9464305900
Wood: Rustic Hickory
Vintage Barnwood Texture
Stain: Briar FC 15743 Low Sheen



FHNS20
Farmhouse
Nightstand
2 drawer, 1 opening
27w x 17¹/₂d x 30h

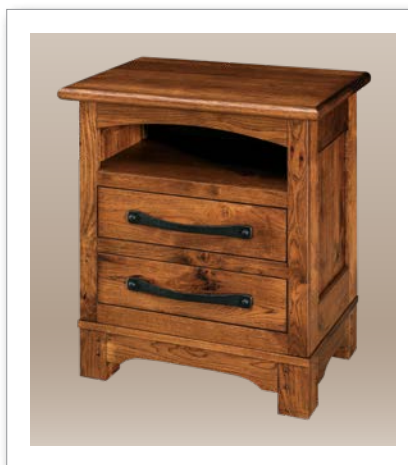
FHCH
Farmhouse
Chifferobe
4 drawer, 3 door
53¹/₂w x 22³/₄d x 71h

FHDR8
Farmhouse Dresser
8 drawer
66w x 22d x 45h

Hardware: BP9464305900

Wood: Rustic Hickory

Stain: Tavern Low Sheen



Touch the sensor on the side and the soft glow will not disturb the sleeping. Option LEDN.



Our STP option turns most any nightstand into a secret hiding place... the power strip has 2-110V outlets and 2 USB plug ins.



Bed storage rail option SRO

STANDARD FEATURES:

- 1³/₈" solid top
- Reverse panel sides with applied molding
- Soft-close under mount drawers 18" deep in dressers and chests
- Beveled mirrors
- Adjustable leveling glides on cases
- Compliant to Sturdy Act – all clothing storage units

OPTIONAL FEATURES:

- Vintage barnwood texture
- Underbed drawers SRO
- Additional hardware pgs.140-143

FHA
Farmhouse Armoire
2 drawer, 2 door
40¹/₂w x 22³/₄d x 71h

FHTNS
Farmhouse
Nightstand
3 drawer
32w x 17¹/₂d x 34h



Hardware: BP9464305900

Wood: Rustic Hickory
Vintage Barnwood Texture

Stain: Briar FC 15743 Low Sheen



Farmhouse Collection line drawings on page 156





Francine



Francine Bed
Solid Wood Headboard

Fabric: C2-12 Antarctic

Francine Collection line drawings on page 157

Francine



FRD9
Francine Dresser
9 drawer
65w x 21³/₄d x 46h

FRM-1
Francine Mirror
48w x 37h



FRNS1D
Francine Nightstand
1 drawer, 1 door
26w x 18³/₄d x 30¹/₂h

Hardware: *K-527 SIM*

Wood: *Brown Maple*

Stain: *Rich Tobacco*





FRC6
Francine Chest
6 drawers
41w x 21³/₄d x 55h



Touch the sensor on the side and the soft glow will not disturb the sleeping. Option LEDN.



Turn any small top dresser or chest drawer into a jewelry drawer with our SJT option.



Our STP option turns most any nightstand into a secret hiding place... the power strip has 2-110V outlets and 2 USB plug ins.



Now you can plug in anything with this PSO option. Features 2-110V outlets and 2 USB plug ins. Available on any nightstand.

STANDARD FEATURES:

- 1" solid tops
- 5 piece drawer fronts and doors with applied molding
- Soft-close under mount drawers 18" deep in dressers and chests
- Tufted fabric headboard w/buttons
- Beveled mirrors
- Adjustable leveling glides on cases
- Compliant to Sturdy Act – all clothing storage units

OPTIONAL FEATURES:

- Wood panel headboard
- Underbed drawers SRO
- Additional hardware pgs.140-143







Hamilton Court



Aдрианна Bed

Hamilton Court Collection line drawings on page 158

Hamilton Court



HCA
Hamilton Court Armoire
2 drawers, 2 doors
42w x 22d x 72h

2 shelves



HCC6
Hamilton Court Chest
6 drawers
42w x 22d x 50h



HCD8
Hamilton Court Dresser
8 drawers
66w x 22d x 37½h

HCMC-2
Hamilton Court Mirror
51w x 41h

Hardware: 117 DACM Knob

Wood: Brown Maple

Stain: Rich Tobacco





HCDOC
Hamilton Court Door Chest
7 drawers, 1 door
53w x 22d x 58h

2 shelves

HCNS3
Hamilton Court Nightstand
3 drawers
27w x 17½d x 30h



HCNS4
Hamilton Court Nightstand
4 drawers
32w x 17½d x 30h



Our STP option turns most any nightstand into a secret hiding place... the power strip has 2-110V outlets and 2 USB plug ins.



Touch the sensor on the side and the soft glow will not disturb the sleeping. Option LEDN.



Turn any small top dresser or chest drawer into a jewelry drawer with our SJT option.



Now you can plug in anything with this PSO option. Features 2-110V outlets and 2 USB plug ins. Available on any nightstand.

STANDARD FEATURES:

- 1" solid tops
- 1" rounded drawer fronts
- Soft-close under mount drawers 18" deep in dressers and chests
- Beveled mirrors
- Adjustable leveling glides on cases
- Two adjustable shelves in armoire
- 10" siderails on bed
- Compliant to Sturdy Act – all clothing storage units

OPTIONAL FEATURES:

- Underbed drawers SRO
- Exchange armoire shelves for clothes rod
- Additional hardware pgs. 140-143





Jacobson



Lynbrook Bed

Jacobson Headboard with
SPO (storage platform option)

Hardware: Black Mission

Wood: Quarter-sawn Oak

Stain: Michael's Cherry

Jacobson Collection line drawings on page 159



JAC8
Jacobson Chest
8 drawer
41w x 21½d x 57½h
Shown with D-524 BL



JADOC
Jacobson Door Chest
6 drawer, 1 door
41w x 21½d x 57½h
1 shelf
Shown with D-524 BL



JAD12
Jacobson Dresser
12 drawer
66w x 21½d x 48h

JAMM-2
Jacobson Mirror
57w x 27h

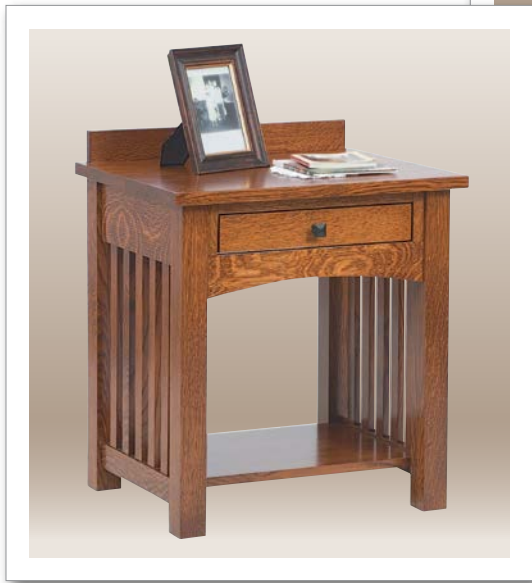




JAMEC
Jacobson Media Chest
3 drawer
41w x 21½d x 43½h



JANS3
Jacobson
Nightstand
3 drawer w/
pull out tray
24½w x
19¼d x
31½h



JANS1
Jacobson Nightstand
open slat
24½w x 19¼d x 29h



Our STP option turns most any nightstand into a secret hiding place... the power strip has 2-110V outlets and 2 USB plug ins.



Turn any small top dresser or chest drawer into a jewelry drawer with our SJT option.



Now you can plug in anything with this PSO option. Features 2-110V outlets and 2 USB plug ins. Available on any nightstand.

STANDARD FEATURES:

- 1" solid tops
- Pull out tray in nightstand
- Soft-close under mount drawers 18" deep in dressers and chests
- Beveled, wall mounted mirror
- Adjustable leveling glides on cases
- Back board on tops
- Compliant to Sturdy Act – all clothing storage units

OPTIONAL FEATURES:

- Attach mirror to dresser
- Wood bed frame for headboard
- Underbed drawers SRO
- Additional hardware pgs.140-143



JASU
Jacobson Storage Unit
11 drawer, 3 door
60w x 21½d x 76h







Kensington

Kensington Collection line drawings on page 160

Kensington

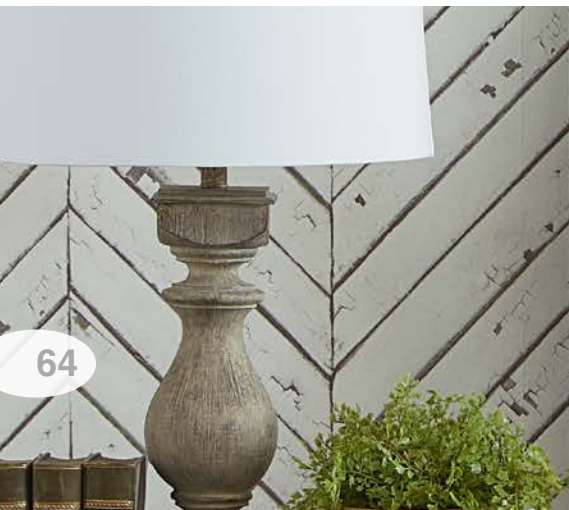


KEDR7
Kensington Dresser
7 drawer
68w x 22¼d x 41½h

KEMR
Kensington Mirror
56w x 35½h

Hardware: VNA10516L

Wood: Rustic Cherry
Vintage Barnwood Texture





KENS32
Kensington Nightstand
3 drawer
32w x 18d x 30h



Our STP option turns most any nightstand into a secret hiding place... the power strip has 2-110V outlets and 2 USB plug ins.



Now you can plug in anything with this PSO option. Features 2-110V outlets and 2 USB plug ins. Available on any nightstand.



Touch the sensor on the side and the soft glow will not disturb the sleeping. Option LEDN.



No wasted space... Our bed storage rail option SRO is available with most beds.



KEC5
Kensington Chest
5 drawer
42w x 22¼d x 52h

STANDARD FEATURES:

- 1³/₈" solid tops
- Soft-close under mount drawers
18" deep in dressers and chests
- Beveled mirror
- Adjustable leveling glides on cases
- Decorative metal accents on bed and mirror
- Compliant to Sturdy Act – all clothing storage units

OPTIONAL FEATURES:

- Vintage barnwood texture
- Underbed drawers
- Exchange shelves for clothes rod in Armoire
- Additional hardware
pgs. 140-143







Larado

Larado Collection line drawings on page 161



Larado



LAD9
Larado Dresser
9 drawers
66w x 22d x 45h

LAML-2
Larado Mirror
43w x 33h



LAC5
Larado Chest
5 drawers, 1 secret drawer
41w x 22d x 53h



LAD7
Larado Dresser
7 drawers
66w x 22d x 38h

LAML-1
Larado Mirror
41w x 43h

Hardware: 55273-BBR

Wood: Rustic Cherry
Plank Top,
Barnwood Texture

Stain: Michael's Cherry
Low Sheen

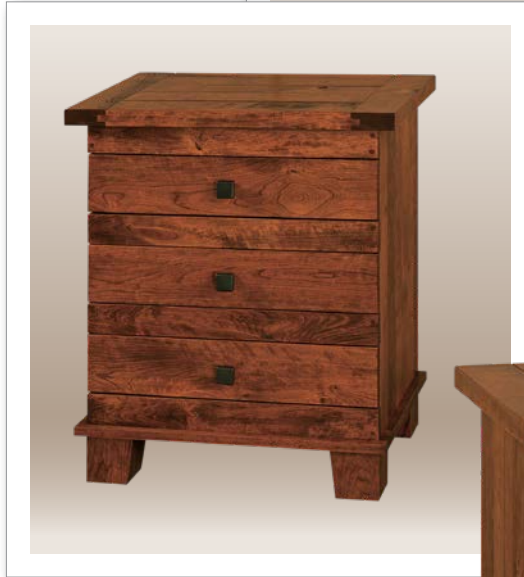




LALC
Larado Lingerie Chest
4 drawers, 1 secret drawer
27w x 18d x 53h



LANS1
Larado Nightstand
1 drawer,
open below
24w x 18d x
31½h



LANS3
Larado Nightstand
3 drawers
27w x 18d x 31½h



LANS1D
Larado Nightstand
1 drawer, 1 door
24w x 18d x 31½h



Plank top with saw cuts



Plank top joints



Felt Lined Secret Drawer



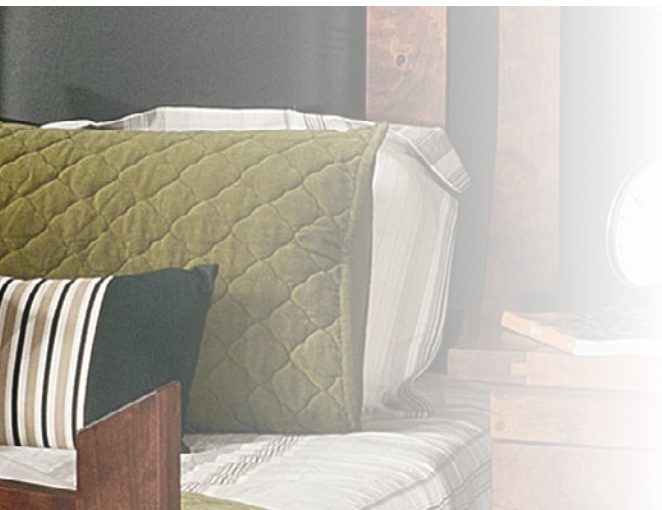
From the comfort of your bed,
touch the sensor on the side and
the soft glow will not disturb the
sleeping. Option LEDN.

STANDARD FEATURES:

- 1³/₈" plank tops with barnwood texture
- Felt lined secret drawer in chest
- Felt lined secret drawer in lingerie
- Soft-close under mount drawers 18" deep in dressers and chests
- Beveled mirror
- Adjustable leveling glides on cases
- 2 adjustable shelves in armoire
- Compliant to Sturdy Act – all clothing storage units

OPTIONAL FEATURES:

- 1³/₈" solid tops (no saw cuts)
- Slat or wood panel headboard
- Underbed drawers SRO
- Exchange shelves for clothes rod in armoire
- Additional hardware pgs.140-143







Laurel



All Laurel pieces are built with elegantly curved fronts as seen in this view of the Laurel 2 drawer nightstand.

Laurel Collection line drawings on page 162

Laurel



LLDR60
Laurel Dresser
6 drawers
60w x 23d x 36h

LLMR41
Laurel Mirror
41w x 41h

Hardware: R-2445935904
Wood: Brown Maple
Stain: Chocolate Spice



LLNS2
Laurel Nightstand
2 drawers
27w x 18¼d x 26½h





LLC5
 Laurel Chest
 5 drawers
 41w x 23d x 52h



Our STP option turns most any nightstand into a secret hiding place... the power strip has 2-110V outlets and 2 USB plug ins.



Touch the sensor on the side and the soft glow will not disturb the sleeping. Option LEDN.



Cedar Drawer Bottom. Option CDB is available with any drawer. (Specify which drawer.)

LLNS1
 Laurel Nightstand
 1 drawer
 27w x 18¼d x 30½h



STANDARD FEATURES:

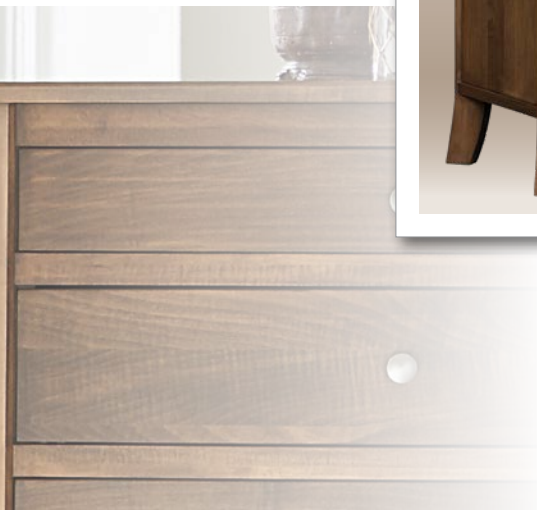
- Boat shaped top with underbevel
- Soft-close under mount drawers 18" deep in dressers and chests
- Elegant curved front on casegoods
- Beveled mirrors
- Adjustable leveling glides on cases
- Compliant to Sturdy Act – all clothing storage units

OPTIONAL FEATURES:

- Underbed drawers SRO
- Additional hardware pgs. 140-143



LLNS3
 Laurel Nightstand
 3 drawers
 27w x 18¼d x 30½h







Medina



MSWQ
Medina Solid Wood Queen Bed

Medina Collection line drawings on page 163





Collection shown with Medford Bed fabric headboard with nailhead trim



Medina



Medina Bed

Wood: *Knotty Alder*

Finish: *Chamois*

Hardware: *K2980-ORB*

Medina Collection line drawings on page 163

Fabric: *C2-11 Canvas*

Nailheads: *Natural*

Medina



MED7
Medina Dresser
7 drawers
66w x 21³/₄d x 35¹/₂h

MEM41
Medina Mirror
41w x 39¹/₂h

Hardware: 53012-G10

Wood: Cherry

Stain: Baywood



MENS2
Medina Nightstand
2 drawers
26w x 16¹/₂d x 28¹/₂h





MEC6
Medina Chest
6 drawers
40w x 21³/₄d x 52¹/₂h

MB48 (shown)
Medina Bench
48w x 16d x 19h

MB36
36w x 16d x 19h



Our STP option turns most any nightstand into a secret hiding place... the power strip has 2-110V outlets and 2 USB plug ins.



Touch the sensor on the side and the soft glow will not disturb the sleeping. Option LEDN.



Turn any small top dresser or chest drawer into a jewelry drawer with our SJT option.



Now you can plug in anything with this PSO option. Features 2-110V outlets and 2 USB plug ins. Available on any nightstand.

STANDARD FEATURES:

- 1" solid tops
- Fully faced overlay drawer fronts
- Full access drawers 18" deep in dressers and chests
- Beveled mirrors
- Adjustable leveling glides on cases
- Compliant to Sturdy Act – all clothing storage units

OPTIONAL FEATURES:

- Soft-close undermount drawers
- Underbed drawers SRO
- Additional hardware pgs.140-143







Nova

Wood: *White Oak*

Finish: *Natural and Muted Black
3 Sheen*

Nova Collection line drawings on page 164







Nova

Wood: *White Oak*
Finish: *Natural*
3 Sheen

Nova Collection line drawings on page 164

Nova



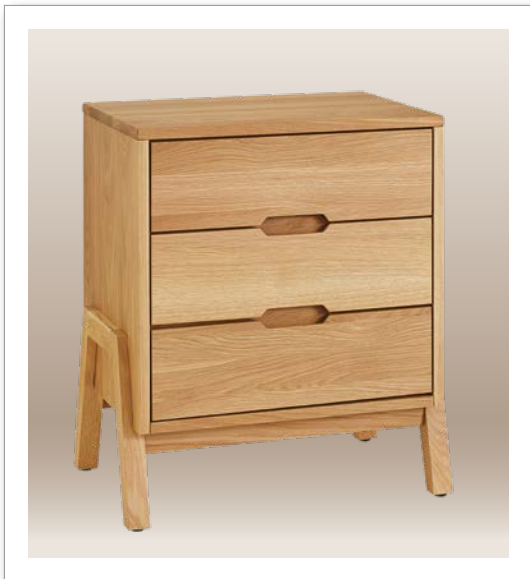
NO6DR60
Nova Dresser
6 drawers
60w x 21d x 38h

NOMR
Nova Mirror
35³/₈"w x 35³/₈"h

Wood: *White Oak*
Stain: *Natural
3 Sheen*



NOC4
Nova Chest
4 drawers
37w x 21d x 42¹/₂h



NONS3
Nova Nightstand
3 drawers
21¹/₂w x 16d x 26h



Touch the sensor on the side and the soft glow will not disturb the sleeping. Option LEDN.



Now you can plug in anything with this PSO option. Features 2-110V outlets and 2 USB plug ins. Available on any nightstand.



Cedar Drawer Bottom. Option CDB is available with any drawer. (Specify which drawer.)

STANDARD FEATURES:

- Soft-close under mount drawers 18" deep in dressers and chests
- Beveled mirrors
- Adjustable leveling glides on cases
- Solid top and sides
- Recessed cutout hand holds
- Compliant to Sturdy Act – all clothing storage units

OPTIONAL FEATURES:

- Standard pulls or knobs on drawers
- Platform style bed
- Additional hardware pgs. 140-143







Palisade

Wood: *Rustic Hickory*

Stain: *Limed Oak FC 108
with Graphite FC 7131 Tops*

Palisade Collection line drawings on page 165



Palisade



PAD2D
Palisade Dresser
8 drawers, 2 doors
66w x 22d x 45½h

PAMQ-2
Palisade Mirror
48½w x 33h



PANS3
Palisade Nightstand
3 drawers
27w x 18d x 27½h



PABC
Palisade Blanket Chest
Available w/cedar
bottom insert
48w x 20d x 28h

Cushion Optional

Hardware: 1586-WID Knob

Wood: Rustic Hickory

Stain: Golden Harvest





PADOC
 Palisade Chest
 6 drawers, 1 door
 43w x 22d x 50½h



Our STP option turns most any nightstand into a secret hiding place... the power strip has 2-110V outlets and 2 USB plug ins.



Touch the sensor on the side and the soft glow will not disturb the sleeping. Option LEDN.



Turn any small top dresser or chest drawer into a jewelry drawer with our SJT option.

STANDARD FEATURES:

- Soft-close under mount drawers 18" deep in dressers and chests
- Beveled mirrors
- Adjustable leveling glides on cases
- Two adjustable shelves in armoire
- Mitered drawer fronts and doors
- V-groove panels in bed and cases
- Compliant to Sturdy Act – all clothing storage units

OPTIONAL FEATURES:

- Underbed drawers SRO
- Exchange armoire shelves for clothes rod
- Additional hardware pgs. 140-143

PAA
 Palisade 1 Piece Armoire
 2 drawers, 2 doors
 45w x 22d x 65h
 2 shelves







*Royal
Mission*

Royal Mission Collection line drawings on page 166

Royal Mission



RMD12
Royal Mission Dresser
12 drawers
68w x 22d x 48h

RMMK-2
Royal Mission Mirror
53w x 31h



RMBC
Royal Mission
Blanket Chest
Available w/cedar
bottom insert
48w x 20d x 28h

Cushion Optional

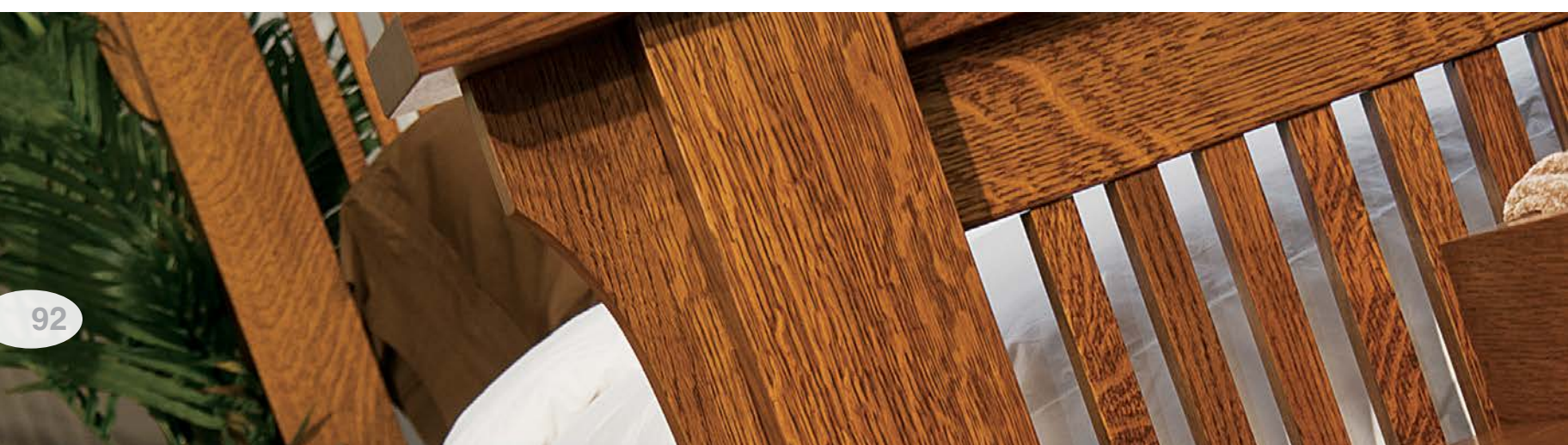


RMLC
Royal Mission
Lingerie Chest
29w x 18d x 55h

Hardware: *Traditional Black Mission Pulls*

Wood: *Quarter-sawn White Oak*

Stain: *Michael's Cherry*





RMCH
Royal Mission Chifforobe
56w x 22d x 73h

Left: 3 shelves, 1 clothes rod
Right: 1 shelf



RMNS3
Royal Mission
3 Drawer
Nightstand
27w x 18d
x 29½h



RMNS1
Royal Mission
Open Slat Nightstand
27w x 18d x 29½h



RMC6
Royal Mission Chest
40¼w x 22d x 51h



Our STP option turns most any nightstand into a secret hiding place... the power strip has 2-110V outlets and 2 USB plug ins.



Touch the sensor on the side and the soft glow will not disturb the sleeping. Option LEDN.



Turn any small top dresser or chest drawer into a jewelry drawer with our SJT option.



No wasted space... Our bed storage rail option SRO is available with most beds.

STANDARD FEATURES:

- 1" solid tops
- Walnut inlays
- Full access drawers 18" deep in dressers and chests
- 3/4" slat sides
- Adjustable leveling glides on cases
- Beveled mirrors
- Compliant to Sturdy Act – all clothing storage units

OPTIONAL FEATURES:

- No walnut inlays
- Solid sides on cases
- Soft-close undermount drawers
- Underbed drawers SRO
- Additional hardware pgs. 140-143







Collection shown with
Kuntry Mission Bed



Schwartz Mission



Lynbrook Bed

Wood: *Brown Maple*
Stain: *Asbury Brown*
Low Sheen

Schwartz Mission



SMD10
Schwartz Mission Dresser
10 drawers
66w x 21½d x 37h

*This piece shown
in Michael's Cherry*

SMD56
Schwartz Mission
Dresser
7 drawers
56w x 21d x 34h

SMMI-I
Schwartz Mission
1 piece Mirror
40w x 45h



MIBC
Schwartz Mission
Blanket Chest
48w x 20d x 28h
Cushion Optional
Shown with reverse
panel sides
Available with
cedar bottom insert

Hardware: *Traditional Black
Mission Hardware*

Wood: *Oak*

Stain: *Sealy*





SMGC
Schwartz
Mission
Grand Chest
6 drawers
42w x 21½d x 52h

*This piece shown
in Michael's Cherry*



SMNS1
Schwartz Mission
Open Slat
Nightstand
24½w x 19d x 26h



SMNS2D
Schwartz Mission
Nightstand
1 drawer, 2 doors
23w x 18d x 23¾h



SMNS3D
Schwartz Mission
Nightstand
3 deep drawers
23w x 18d x 32h



SMCH
Schwartz Mission Chiffrobe
48w x 21½d x 70h

Left: 3 shelves, 1 clothes rod
Right: 1 shelf



Our STP option turns most any nightstand into a secret hiding place... the power strip has 2-110V outlets and 2 USB plug ins.



Touch the sensor on the side and the soft glow will not disturb the sleeping. Option LEDN.



Now you can plug in anything with this PSO option. Features 2-110V outlets and 2 USB plug ins. Available on any nightstand.



Cedar Drawer Bottom. Option CDB is available with any drawer. (Specify which drawer.)

STANDARD FEATURES:

- Slat side panels
- Full access drawers 18" deep in dressers and chests
- Beveled mirrors
- Adjustable leveling glides on cases
- Compliant to Sturdy Act – all clothing storage units

OPTIONAL FEATURES:

- Solid or reverse panel sides
- Soft-close undermount drawers
- Underbed drawers SRO
- Additional hardware pgs. 140-143







Sonoma



SONS3-BB
Sonoma Nightstand

- Hardware: *A868 MB*
Wood: *Brown Maple /
Vintage Barnwood Texture*
Stain: *RR-012 Rockwood Brown – low sheen*
Bed shown with: *Sliding door footboard option
SDFB-BB Black Metal Base option*

Sonoma Collection line drawings on page 169





Sonoma

Hardware: *M1017 Black*

Wood: *Brown Maple*

Stain: *OCS-133 Tundra*

Sonoma Collection line drawings on page 169

Sonoma



SODR6
Sonoma Dresser
6 drawers
66w x 20³/₄d x 36h

SOMR42
Sonoma Mirror
42w x 42h

SONS10
Sonoma Nightstand
1 drawer, 1 opening
24w x 18³/₄d x 30h



SOC6
Sonoma Chest
6 drawers
40w x 20³/₄d x 52h



Hardware: M1017 Black
Wood: Brown Maple
Stain: OCS-133 Tundra





SODR8
 Sonoma Dresser
 8 drawers
 66w x 20¾d x 46h

SOMR48
 Sonoma Mirror
 48w x 32h



SONS3
 Sonoma Nightstand
 3 drawer
 30w x 18¾d x 30h



SODOC
 Sonoma Door Chest
 1 door, 5 drawers
 40w x 20¾d x 52h

1 shelf

Hardware: P-3000-BI

Wood: Oak

Stain: Briar – low sheen



Touch the sensor on the side and the soft glow will not disturb the sleeping. Option LEDN.



Now you can plug in anything with this PSO option. Features 2-110V outlets and 2 USB plug ins. Available on any nightstand.



No wasted space... Our bed storage rail option SRO is available with most beds.

STANDARD FEATURES:

- Solid sides
- Beveled mirrors
- Adjustable leveling glides on cases
- Soft-close under mount drawers 18" deep in dressers and chests
- Compliant to Sturdy Act – all clothing storage units

OPTIONAL FEATURES:

- Vintage barnwood texture
- Black metal base – BB
- Sliding door on footboard SDFB
- Underbed drawers SRO
- Additional hardware pgs. 140-143







Tucson



TUWQ

Hardware: TK53BSN

Wood: Brown Maple

Stain: Almond FC 42000

Fabric: R1-32 Snow White

Tucson Collection line drawings on page 170





Collection
shown with TUWQ Bed



Tucson

TUFQ

Wood: *Brown Maple*

Stain: *Almond*

Fabric: *R1-32 Snow*



Hardware: *TK4 Black*

Wood: *Walnut*

Stain: *Natural*

Tucson Collection line drawings on page 170

Tucson



TU6DR60
Tucson Dresser
6 drawers
60w x 21d x 40½h

TUMR45
Tucson Mirror
45w x 37h



TUNS2
Tucson Nightstand
2 drawer
24w x 15d x 28½h

Hardware: TK4 Black

Wood: Walnut

Stain: Natural





TUDOC

Tucson Door Chest
7 drawers, 1 door
53w x 21d x 58½h

2 adjustable shelves

Hardware: *TK53BSN*

Wood: *Brown Maple*

Stain: *Almond FC 42000*

TUC5
Tucson Chest
5 drawers
38w x 21d x 52½h



Turn any small top dresser or chest drawer into a jewelry drawer with our SJT option.



Touch the sensor on the side and the soft glow will not disturb the sleeping. Option LEDN.



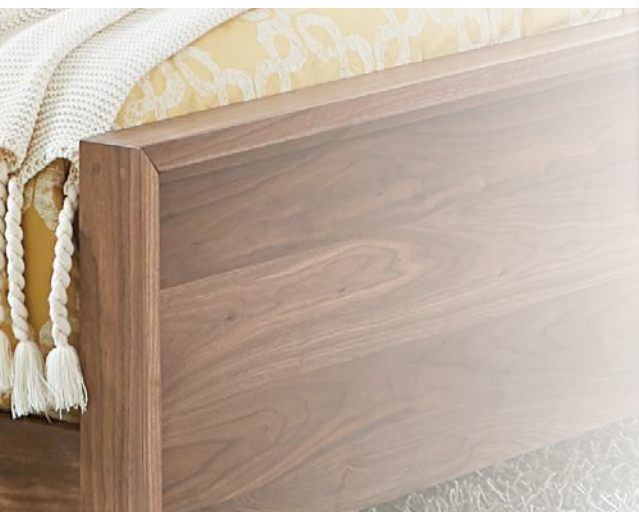
Now you can plug in anything with this PSO option. Features 2-110V outlets and 2 USB plug ins. Available on any nightstand.

STANDARD FEATURES:

- Solid top, bottom and sides
- 45° interlocking corners
- Soft-close under mount drawers 18" deep in dressers and chests
- Beveled mirrors
- Fabric panel insert panel
- Adjustable leveling glides on cases
- Compliant to Sturdy Act – all clothing storage units

OPTIONAL FEATURES:

- Underbed drawers SRO or 2DFB
- Additional hardware pgs. 140-143







Westmere

Westmere Collection line drawings on page 171

Westmere



WED8
Westmere Dresser
8 drawers
60w x 22d x 42½h

WEM44
Westmere Mirror
44w x 35h



WENS3
Westmere Nightstand
3 drawers
27w x 18d x 29½h

Hardware: M1003SN
Wood: Walnut
Stain: Natural Finish

WENS3
Westmere Nightstand
3 drawers
27w x 18d x 29½h

Hardware: M1003SN
Wood: Wormy Maple
Stain: Bel Air
Low Sheen





WEC5
Westmere Chest
5 drawers
40w x 22d x 53h



Our STP option turns most any nightstand into a secret hiding place... the power strip has 2-110V outlets and 2 USB plug ins.



Touch the sensor on the side and the soft glow will not disturb the sleeping. Option LEDN.



Our bed storage rail option SRO is available with most beds.

WENS20
Westmere Nightstand
2 drawer w/opening
27w x 18d x 29½h

Hardware: M1003SN
Wood: Walnut Top
Maple Case
Stain: Natural Finish



STANDARD FEATURES:

- 1 3/8" live edge tops
- Recessed top drawer
- Soft-close under mount drawers 18" deep in dressers and chests
- Beveled mirrors
- Adjustable leveling glides on cases
- Compliant to Sturdy Act – all clothing storage units

OPTIONAL FEATURES:

- Walnut and maple combination
- Underbed drawers SRO
- Exchange armoire shelves for clothes rod
- Additional hardware pgs. 140-143





Woodmont

Hardware: 765160-143 AN

Wood: Brown Maple

Stain: Almond
3 Sheen

Woodmont Collection line drawings on page 172





Woodmont



Woodmont Bed
shown with fabric headboard
option

Woodmont Collection line drawings on page 172

Woodmont



WOD72
Woodmont Dresser
6 drawer
72w x 21d x 37h

WOMR53
Woodmont Mirror
53w x 36h



WONS28
Woodmont Nightstand
2 drawer
28w x 21d x 24³/₄h

Hardware: 765160-143 AN

Wood: Quarter-sawn Oak

Stain: Harvest
3 Sheen



WOC5
Woodmont Chest
5 drawer
36w x 21d x 56h



Touch the sensor on the side and the soft glow will not disturb the sleeping. Option LEDN.



Now you can plug in anything with this PSO option. Features 2-110V outlets and 2 USB plug ins. Available on any nightstand.



Turn any small top dresser or chest drawer into a jewelry drawer with our SJT option.



No wasted space... Our bed storage rail option SRO is available with most beds.

STANDARD FEATURES:

- 2" radius corners
- 1 3/8" solid tops
- Soft-close under mount drawers 18" deep in dressers and chests
- Beveled mirrors
- Two adjustable shelves in armoire
- Adjustable leveling glides on cases
- Compliant to Sturdy Act – all clothing storage units

OPTIONAL FEATURES:

- Underbed drawers SRO
- Wood panel headboard
- Fabric panel headboard
- Exchange armoire shelves for clothes rod
- Additional hardware pgs. 140-143

Benches & Blanket Chests



BRSB
Breckenridge
Storage Bench
49w x 19d x 29h
inside storage:
42w x 12d x 7h



MB48 (shown)
Medina Bench
48w x 16d x 19h

MB36
36w x 16d x 19h

ENB48 (shown)
Encada Bench
48w x 16d x 19h

ENB36
36w x 16d x 19h



ENSB
Encada
Storage Bench
49w x 19d x 29h



FHB36
36" Farmhouse Bench
36w x 13d x 19h

FHB48 (shown)
48" Farmhouse Bench
48w x 13d x 19h



CHBC
 Charleston Blanket Chest
 Available w/cedar bottom insert
 (cushion optional)
 48w x 20d x 28h



RMBC
 Royal Mission
 Blanket Chest
 Available w/cedar
 bottom insert
 48w x 20d x 28h
 Cushion Optional



MIBC
 Schwartz Mission
 Blanket Chest
 48w x 20d x 28h

Cushion Optional
 Shown with reverse panel sides
 Available with cedar bottom insert



PABC
 Palisade Blanket Chest
 Available w/cedar
 bottom insert
 48w x 20d x 28h

Cushion Optional

Bedstep

BST
 Bedstep
 22w x 14 1/4h





Desk Chest

Hardware: 55273-SN

Wood: Brown Maple

Stain: Asbury



VEDEC
Venice Desk Chest
5 drawers, 1 file drawer
42w x 21d x 55h



Door / desk top



Bottom file drawer

What appears to be a drawer, folds down and becomes your desk top while the bottom drawer is made for files. Available in these collections:

- Adrianna
- Belwright
- Breckenridge
- Bungalow
- Charleston
- Encada
- Farmhouse
- Hamilton Court
- Jacobson
- Larado
- Royal Mission
- Schwartz Mission
- Sonoma
- Tucson
- Westmere



LLNS2
Laurel Nightstand

Hardware: *R-2445935904*
Wood: *Brown Maple*
Stain: *FP-15809 Metropolitan*

Adessa Bed Fabric: *7-57 Lexi*
Nail Head: *Pewter*

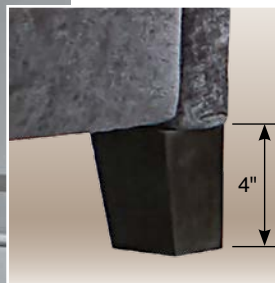
Headboard 54" h
Footboard 14" h
Overall Size:
King 80" x 86"
Queen 64" x 86"
Full 58" x 80"



Fabric Beds

Introducing our new *All Fabric Bed* program. Here's why our beds are a step above the rest:

- Frames are made with solid oak hardwood – no particle board or soft pine.
- USA made cast aluminum bracket system. Cross slats install in a dovetail pocket.
- Beds are completely covered with fabric – no exposed backs.
- Choose from Heartland Fabrics.
- Offering Crypton® Home Fabrics with built in stain protection – one less thing to worry about.
- Legs may be stained the color of your choice.
- Box or mattress will start at 6" off the floor.



Stained to your choice



Fabric covered backs



USA made bed bracket system

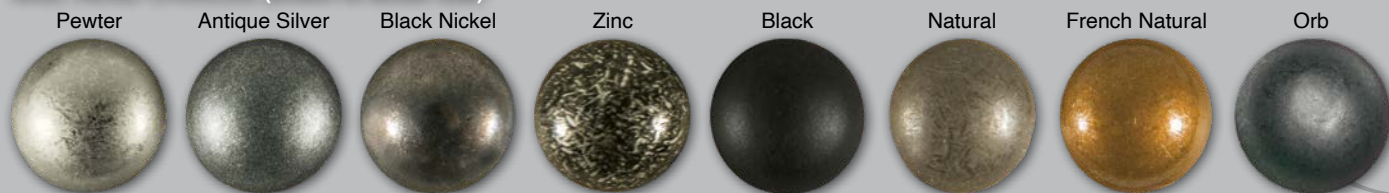


Two drawers each side, standard with side mount full extension slides.



Under Bed Drawers for Fabric Beds

NAIL HEAD CHOICES (shown at actual size)



Fabric Beds



Elliott Bed

Headboard 62" h
Footboard 14" h

Overall Size:

King 80" x 86"
Queen 64" x 86"
Full 58" x 80"

Fabric: C2-12
Antarctic

Nail Head: Natural

SONS3

Sonoma Nightstand

Hardware: P 3000 BI

Wood: Rustic Hickory
Vintage Barnwood Texture

Stain: FC 15743 Briar
Low Sheen

Elliott Bed





Gabrielle Bed
 Headboard 59" h
 Footboard 14" h

Overall Size:
 King 80" x 86"
 Queen 64" x 86"
 Full 58" x 80"

Fabric: C2-25
 Quail

Nail Head: Black Nickel

SONS3
 Sonoma Nightstand

Hardware: P 3000 BI

Wood: Rustic Hickory
 Vintage Barnwood Texture

Stain: FC 15743 Briar
 Low Sheen

Gabrielle Bed



Fabric Beds



Lily Bed

Headboard 59" h
Footboard 14" h

Overall Size:

King 80" x 86"
Queen 64" x 86"
Full 58" x 80"

Fabric: C2-20
Home

LLNS2

Laurel Nightstand

Hardware: R-2445935904

Wood: Brown Maple

Stain: FP 15809
Metropolitan

Lily Bed





Lily Bed with wings

Headboard 59" h
Footboard 14" h

Overall Size:
King 85" x 86"
Queen 69" x 86"
Full 63" x 80"

Fabric: R1-32
Snow White

LLNS2
Laurel Nightstand

Hardware: R-2445935904

Wood: Brown Maple

Stain: FP 15809
Metropolitan

Lily Bed with wings

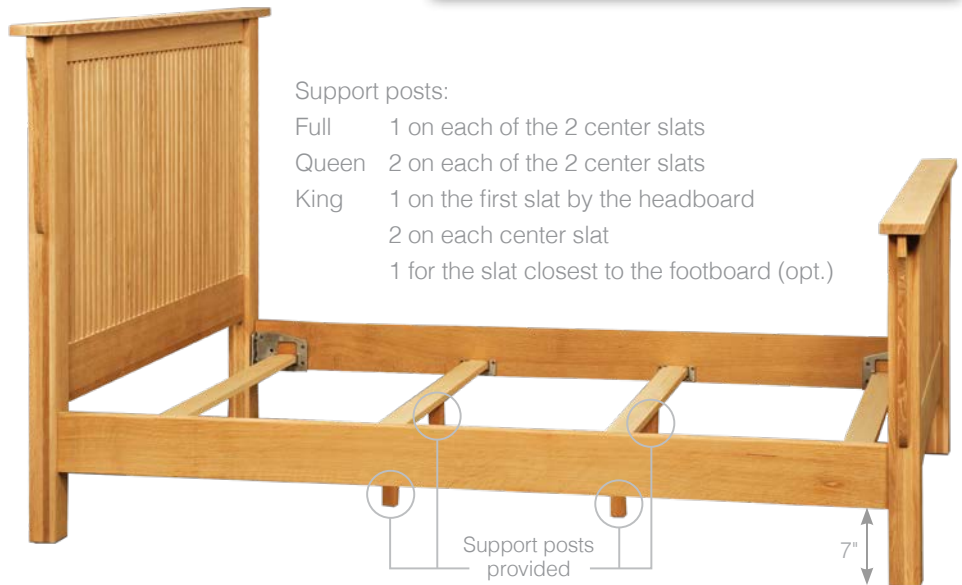






Beds

Rest assured, our beds are bench built second to none. The headboard and footboard panels as well as cross rails are mortised into the post for the strongest joint possible. Side rails are 1" thick and attach to headboard and footboard with a USA made cast aluminum bracket with a dovetail pocket to hold the cross slats.



Support posts:

- Full 1 on each of the 2 center slats
- Queen 2 on each of the 2 center slats
- King 1 on the first slat by the headboard
2 on each center slat
1 for the slat closest to the footboard (opt.)

Standard on all beds
distance from floor to bottom of side rail: 7"
distance from floor to top of cross slat: 9"

Optional low footboard (LF) available on all beds.



Under Bed Drawers

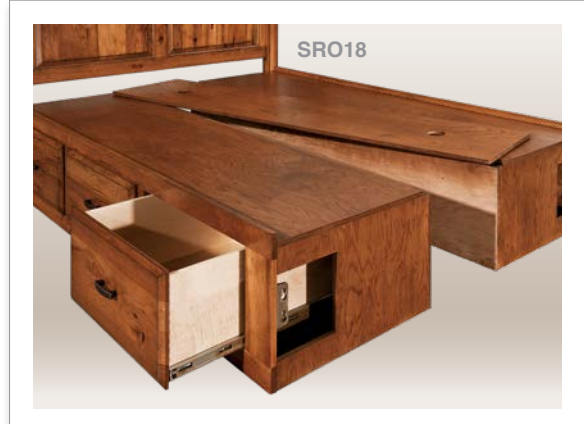


Underbed drawers are all standard with full extension glides

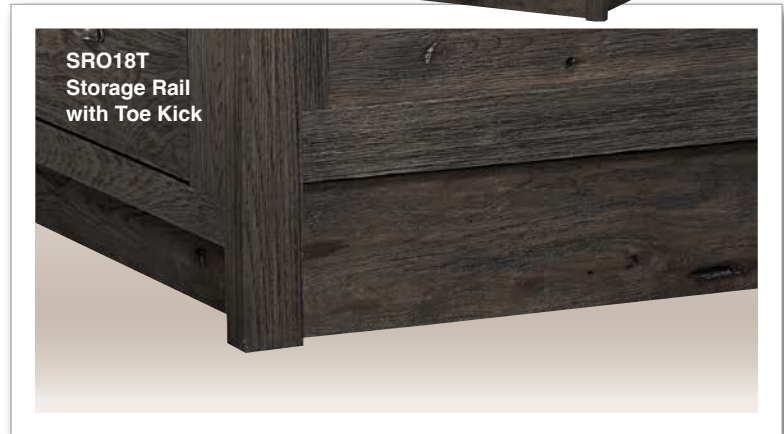
Storage platform option (SPO)
May be used with any headboard



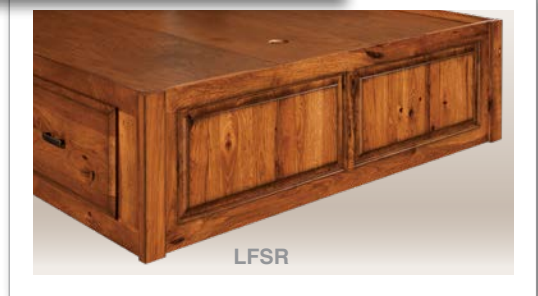
18" storage rail option **SRO18**



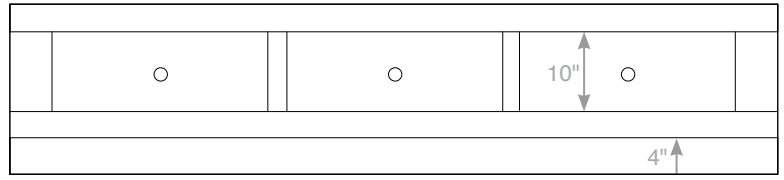
- Storage rail option available with any bed.
- Installs using the same rail brackets.
- 3 section unit for easy shipping.



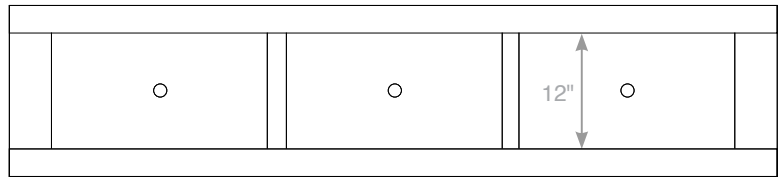
SRO18T
Storage Rail with Toe Kick



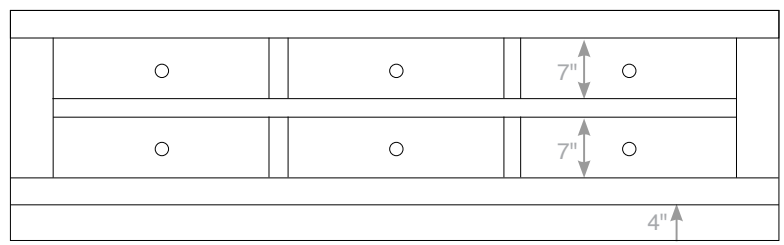
LFSR
Low footboard for use with storage rails SRO18 or SRO24



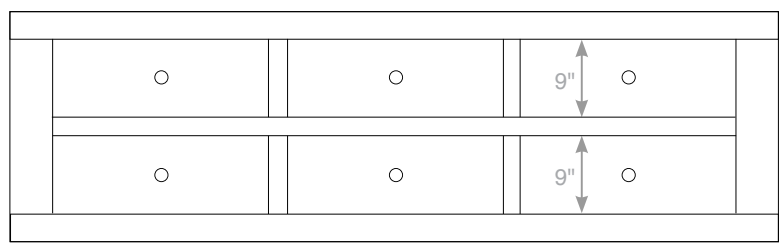
SRO18T (1 set)
Storage Rail with 3 drawers
80½w x 18h | toe kick 4"h



SRO18 (1 set)
Storage Rail with 3 drawers
80½w x 18h



SRO24T (1 set)
Storage Rail with 6 drawers
80½w x 24h | toe kick 4"h



SRO24 (1 set)
Storage Rail with 6 drawers
80½w x 24h



Abshire Wood Bed
 Headboard 66" h
 Footboard 24" h
 Overall Size: King 79½" x 85"
 Queen 63½" x 85"
 Full 57½" x 80"

Abshire Fabric Bed
 Headboard 67" h
 Footboard 24" h
 Overall Size: King 81½" x 85"
 Queen 65½" x 85"
 Full 59½" x 80"



Adrianna Bed
 Headboard posts 54" h
 In between posts 57" h
 Footboard posts 34" h
 Overall Size: King 82" x 88"
 Queen 66" x 88"
 Full 60" x 82"



Belwright Bed
 Headboard Posts 58" h
 Footboard posts 30" h
 Overall Size: King 83" x 88"
 Queen 67" x 88"
 Full 61" x 82"



Breckenridge Bed
 Posts 76" h
 In between headboard posts 71" h
 In between footboard posts 39" h
 Overall Size: King 87" x 94½"
 Queen 71" x 94½"
 Full 65" x 88½"

Bungalow Bed
 Headboard 62" h
 Footboard 14" h
 Overall Size: King 82½" x 88½"
 Queen 66½" x 88½"
 Full 60½" x 82½"





Charleston Bed
 Headboard posts 71½" h
 In between posts 68¼" h
 Footboard posts 38" h
 Overall Size: King 87" x 94½"
 Queen 71" x 94½"
 Full 65" x 88½"



◀ **Durham Bed**
 Headboard posts 90" h
 Footboard posts 90" h
 ▼ **Durham Bed (w/o canopy posts)**
 Headboard 53" h
 Footboard 26" h
 Overall Size:
 King 80" x 86"
 Queen 64" x 86"
 Full 58" x 80"



Edinburg
 Headboard 57½" h
 Footboard 24½" h
 Overall Size: King 80½" x 86"
 Queen 64½" x 86"
 Full 58½" x 81"



Encada Bed
 Headboard posts 58½" h
 Footboard posts 31" h
 Overall Size:
 King 86" x 89¼"
 Queen 70" x 89¼"
 Full 64" x 83¼"



Francine Bed
 Tufted fabric headboard w/buttons or Solid wood
 Headboard posts 74" h
 Footboard posts 24" h

Overall Size:
 California King 87" x 90½"
 King 87" x 86½"
 Queen 75" x 86½"
 Full N/A





Kountry Mission Bed

Headboard 56¹/₂" h
Footboard 34¹/₂" h

Overall Size:
King 82³/₄" x 88"
Queen 66³/₄" x 88"
Full 60³/₄" x 82"



Larado Bed

Headboard 63" h
Footboard 36" h
In between post 2" lower

Overall Size:
King 80" x 87"
Queen 64" x 87"
Full 58" x 81"



Laurel Bed

Headboard 57" h
Footboard 26" h

Overall Size:
King 82¹/₂" x 86¹/₂"
Queen 66¹/₂" x 86¹/₂"
Full 60¹/₂" x 80¹/₂"



Lynbrook Bed

Headboard 63" h
Footboard 35" h

In between post 2" lower

Overall Size:
King 84" x 90"
Queen 68" x 90"
Full 62" x 84"



Medina Bed (solid wood headboard)

Headboard posts 53" h
Footboard posts 19" h

Overall Size:
King 81¹/₂" x 85¹/₂"
Queen 65¹/₂" x 85¹/₂"
Full 59¹/₂" x 79¹/₂"



Medina Bed

Headboard posts 53" h
Footboard posts 19" h

Overall Size:
King 81¹/₂" x 85¹/₂"
Queen 65¹/₂" x 85¹/₂"
Full 59¹/₂" x 79¹/₂"





Shown with
 storage rail option **SRO18**



Shown with sliding door
 footboard option **SDFB-BB**





Westmere Bed

Headboard Posts 55" h
Footboard posts 28" h

Overall Size: King 80" x 85"
Queen 64" x 85"
Full 58" x 79"



Woodmont Bed

Headboard Posts 60 1/2" h
Footboard posts 15" h

Overall Size: King 82" x 87"
Queen 64" x 87"
Full 60" x 81"



Woodmont Bed

Headboard Posts 60 1/2" h
Footboard posts 15" h

Overall Size: King 82" x 87"
Queen 64" x 87"
Full 60" x 81"





M1003SN
128mm C



M1017-Black
128mm C



M1031-ORB
128mm C



A868MB
96mm C



K-527 SIM pull
96mm C/C



P-3448-VB
Pull
3" C



55278BBZ
Pull
160mm C/C



650 DBAC
Knob



K 2980-ORB



55273-SN



2980-SN



Bar Pull-SN
6⁵/₁₆ C



K-3489 SN
3" C





Black Mission
3" C



Black Mission door
2 1/4" C



Gun Metal Mission



Gun Metal Mission door



1-VNA10516L
Pull
8" C



P3672 BI pull
4" C/C



P3670 BI knob



K-53 BL



KR15
1" Shaker Knob
painted black



TK 740-BL
Knob



TK 741-BL
Backplate



4160 MB



36907 FB
Knob



PA-1021-VP
2 3/4" C



4425 WI



4425-ORB



4424 WI
3" C



4424-ORB
3" C



P-3002-BI



3062 BI
1 1/4" C



K-519-DBN
(knob)
1 1/2" x 7/8"



1586WID



P-3000-BI
96mm C



K-519-96 DBN (pull)
3 3/4" C



D-553 Black
3" C



D-524
1" Black Hammered



D-552
Black
3" C



1586-2-ORB
1 1/4" dia.
oversized knob





765160143-AN
160mm



765160-AE
160mm



BP55274-BBR
1 3/8" x 1 1/4"



BP55273-BBR
1 1/4" square



BP 9464305900 BL
305mm C



117 DACM
Knob



BP 9464128900 BL
128mm C

718-128 DACM
128mm C



293-224-BNBDL
8 15/16" C



R-2445935904



283T-BNBDL
Knob



53012-G10
Knob



TK 53 BSN
3 1/2" C



TK 4 BLK
5" C/C



TK 1 BLK
Knob



R-39965195
128mm C



Care of Hardwood Furniture

Tips on how to care for your solid hardwood furniture. With proper care your furniture will provide years of enjoyment and will be family heirlooms. Maintain a humidity controlled environment. Your home should be kept in the 35 to 45% humidity range to prevent warping, cracking, and excessive expansion or contraction of raised panels, etc.

Avoid placing your furniture in continued direct sunlight or direct heat source such as furnace ducts, or radiators.

Clean with water using a soft sponge or cloth. Dry immediately with a soft cloth. Avoid polish that contains any silicones.

Warranty

Schwartz Woodworking warrants its materials, construction and workmanship for a period of two years following the date of purchase at a brick and mortar retail store by the original customer. If a defect occurs during that period, we will either repair or replace the item or substitute a like item. The final decision is at the discretion of Schwartz Woodworking. If humidity moves out of the ideal range, solid wood furniture can expand or contract causing splits in grain panels. These symptoms are the result of an uncontrolled environment and are not considered defective. If the environment is not controlled these conditions should be appreciated as an inherent characteristic of solid wood furniture. Due to the wood's "open grain" they tend to expand and/or contract in relationship to their environment. Seasonal gapping or minor cracks in the grain patterns of solid wood are considered a normal occurrence and should not be assumed to be a defect of material or workmanship. If under normal conditions the furniture develops a defect, such as a deep crack, the dealer will visit the customer's home to assess the humidity level. The dealer is responsible for taking a portable hygrometer along to record the humidity level and send the readings to Schwartz Woodworking. If the humidity is not in the range of 35 to 45%, the warranty is void and repair charges can be assessed. The decision to repair or replace the item is at the discretion of Schwartz Woodworking.

Limitations

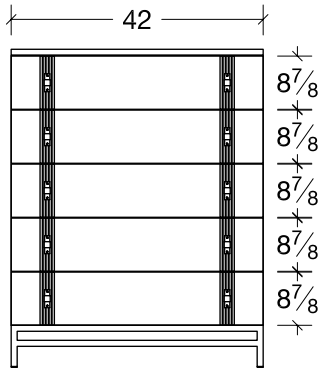
Warranty does not include freight costs to and from factory or inspection fees, these costs are the responsibility of the customer. Negligence, misuse or accidents by the customer will void the warranty.

Internet Sales

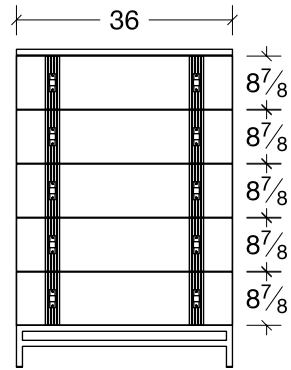
No warranty on furniture sold online, due to issues that are beyond our control. Online sites are responsible for the product once it leaves our manufacturing shop.

Sturdy Act

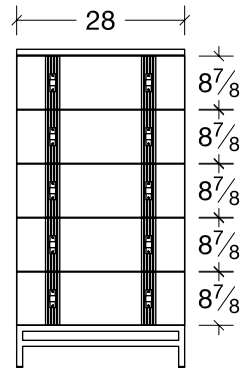
All our clothing storage units are compliant with the ASTM F2057-23 rule.



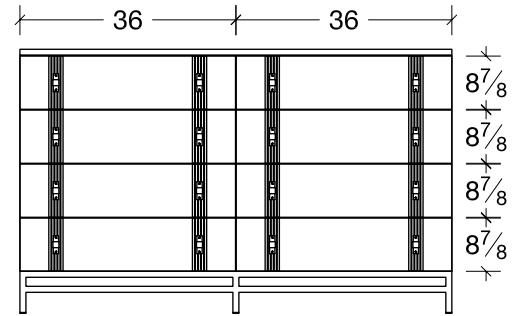
ABGC
Abshire Grand Chest
5 drawer
42w x 21d x 53h



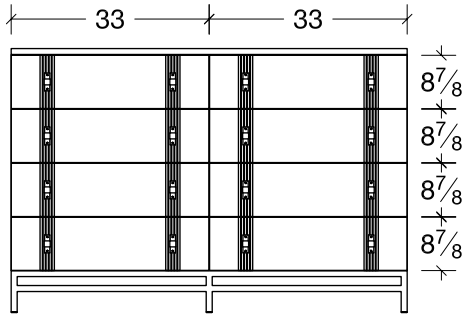
ABC5
Abshire Chest
5 drawer
36w x 21d x 53h



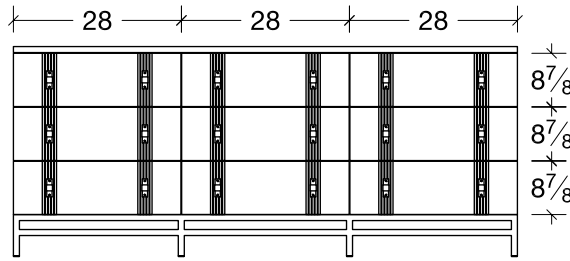
ABLC
Abshire Lingerie Chest
5 drawer
28w x 21d x 53h



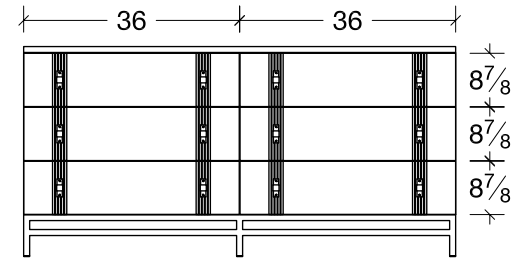
ABD8
Abshire Dresser
8 drawer
72w x 21d x 44h



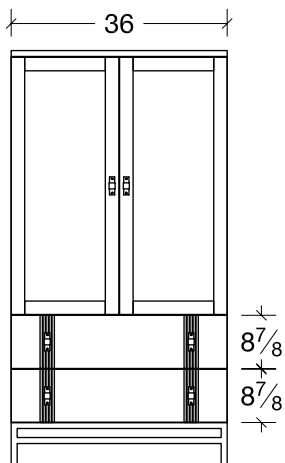
ABD866
Abshire Dresser
8 drawer
66w x 21d x 44h



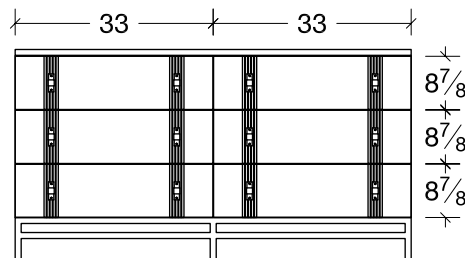
ABD9
Abshire Dresser
9 drawer
84w x 21d x 35h



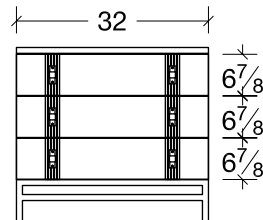
ABD72
Abshire Dresser
6 drawer
72w x 21d x 35h



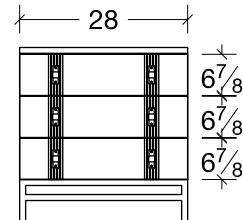
ABA
Abshire Armoire
2 drawer, 2 door
36w x 21d x 69h



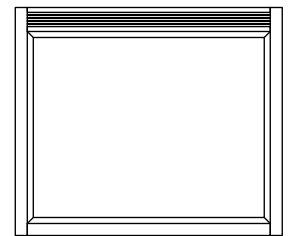
ABD66
Abshire Dresser
6 drawer
66w x 21d x 35h



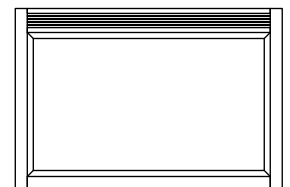
ABNS332
Abshire Nightstand
3 drawer
32w x 21d x 29h



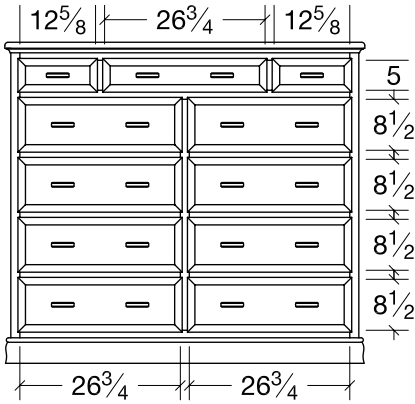
ABNS328
Abshire Nightstand
3 drawer
28w x 21d x 29h



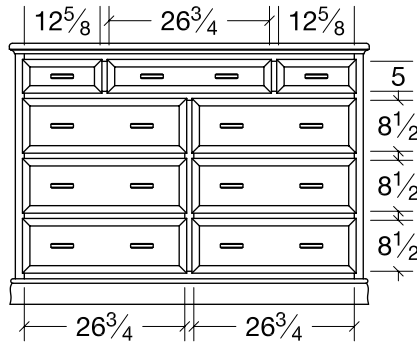
ABMR38
Abshire Mirror
44 1/2w x 38h



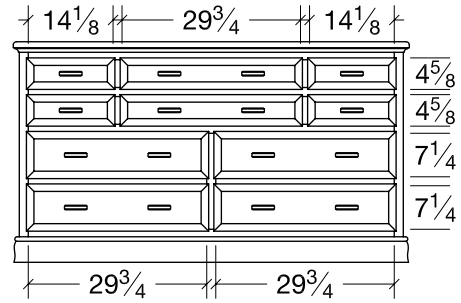
ABMR30
Abshire Mirror
44 1/2w x 30h



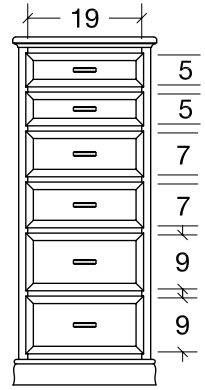
ADHB
Adrianna Highboy Dresser
11 drawer
60w x 20d x 53h



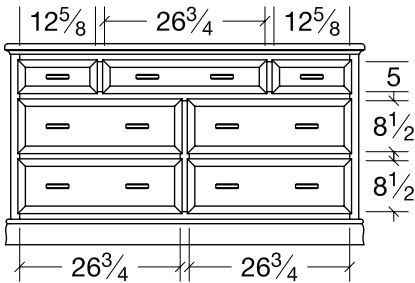
ADD9
Adrianna Dresser
9 drawer
60w x 20d x 43 1/2h



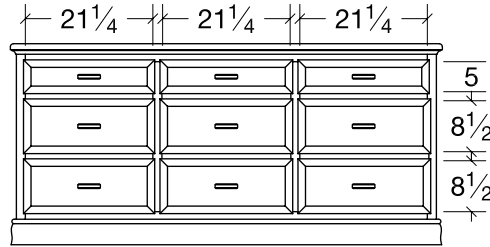
ADD10
Adrianna Dresser
10 drawer
66w x 21d x 36 3/4h



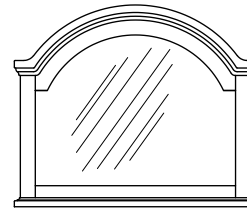
ADLC
Adrianna Lingerie Chest
6 drawer
24w x 17d x 58h



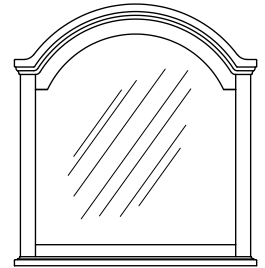
ADD7
Adrianna Dresser
7 drawer
60w x 20d x 33 1/2h



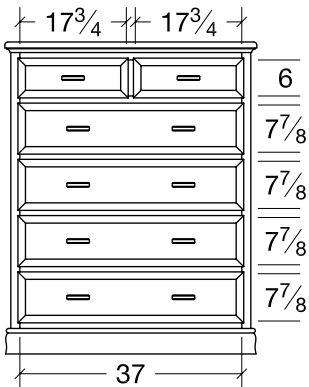
ADD72
Adrianna Dresser
9 drawer
72w x 20d x 33 1/2h



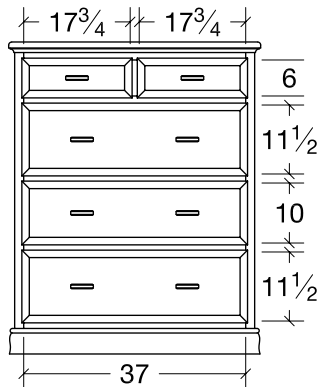
ADMH-1
Adrianna Mirror H.
40w x 33 1/2h



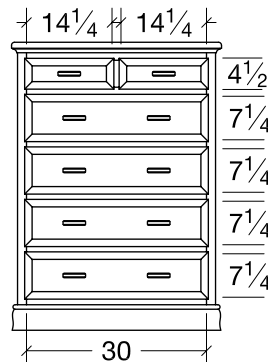
ADMH-2
Adrianna Mirror H.
40w x 43 1/2h



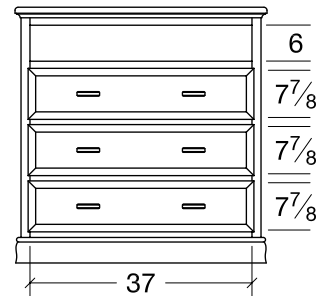
ADGC
Adrianna Grand Chest
6 drawer
42w x 20d x 52h



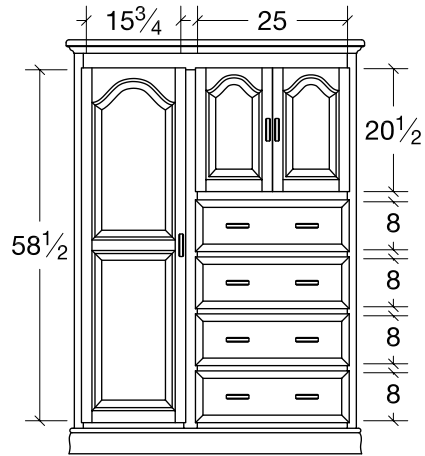
ADDEC
Adrianna Desk Chest
5 drawer
42w x 20d x 52h



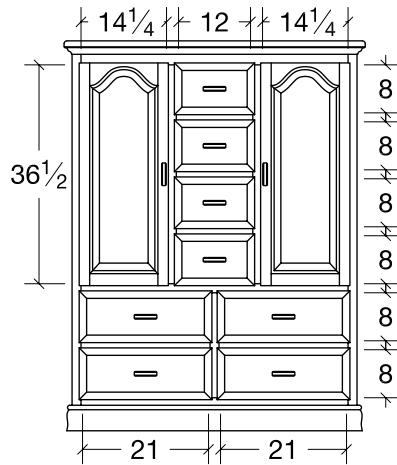
ADC6
Adrianna Chest
6 drawer
35w x 20d x 48h



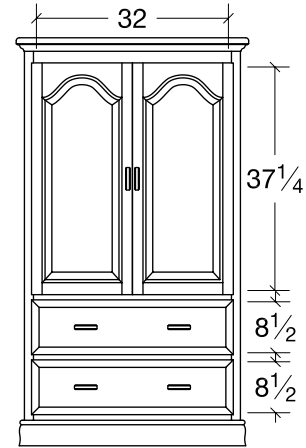
ADMEC
Adrianna Media Chest
3 drawer, 1 opening
42w x 20d x 42h



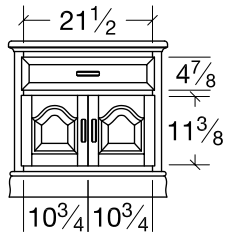
ADCH
Adrianna Chifferobe
4 drawer, 3 door
49w x 21 1/2d x 69h



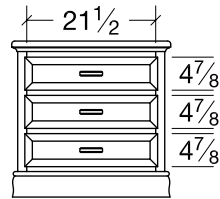
ADDOC
Adrianna Door Chest
8 drawer, 2 door
49 1/2w x 21 1/2d x 65h



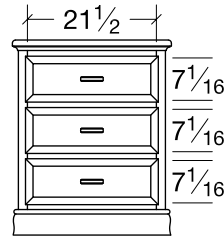
ADA1
Adrianna Armoire
2 drawer, 2 door
38w x 21 1/2d x 68h



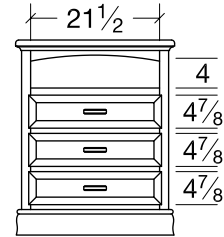
ADNS2D
Adrianna Nightstand
1 drawer, 2 door
26 1/2w x 17d x 26h



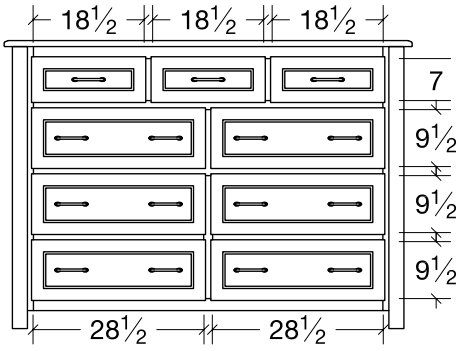
ADNS3
Adrianna Nightstand
3 drawer
26 1/2w x 17d x 26h



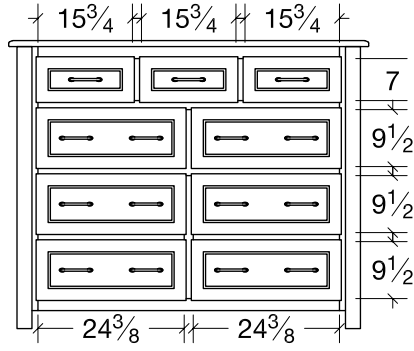
ADNS3D
Adrianna Nightstand
3 deep drawer
26 1/2w x 17d x 32 1/2h



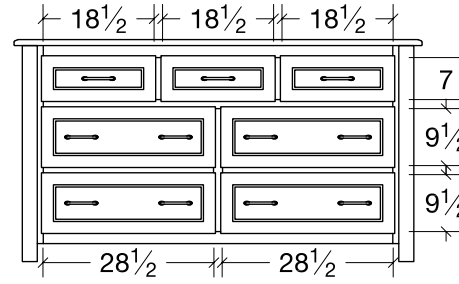
ADNS30
Adrianna Nightstand
3 drawer, 1 opening
26 1/2w x 17d x 32 1/2h



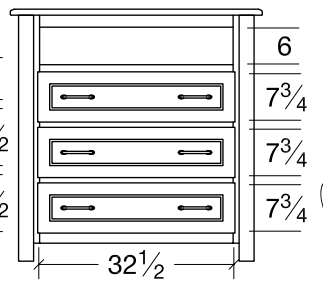
BED9
Belwright Dresser
9 drawer
68w x 22d x 48h



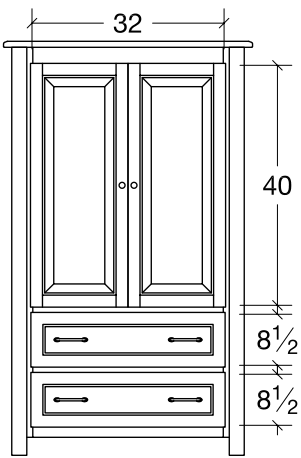
BE9DR60
Belwright Dresser
9 drawer
60w x 22d x 48h



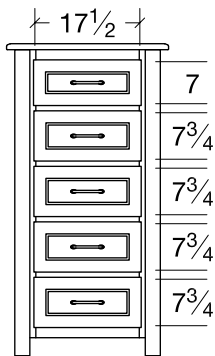
BED7
Belwright Dresser
7 drawer
68w x 22d x 37h



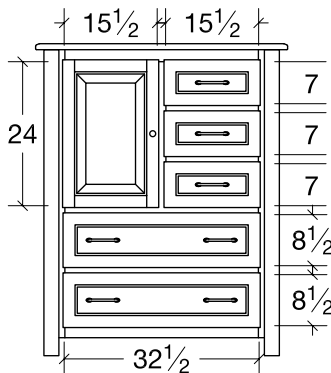
BEMEC
Belwright Media Chest
3 drawer, 1 opening
42w x 22d x 42h



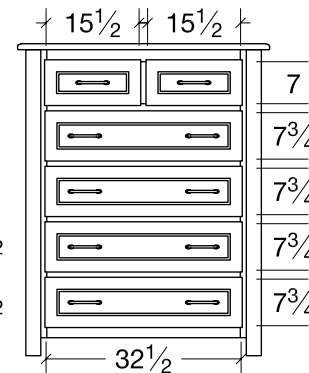
BEA
Belwright Armoire
2 drawer, 2 door
41 1/2w x 22d x 69h



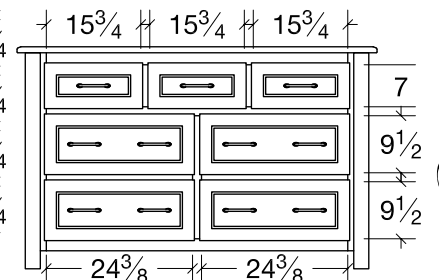
BELC
Belwright Lingerie Chest
5 drawer
27w x 19d x 52h



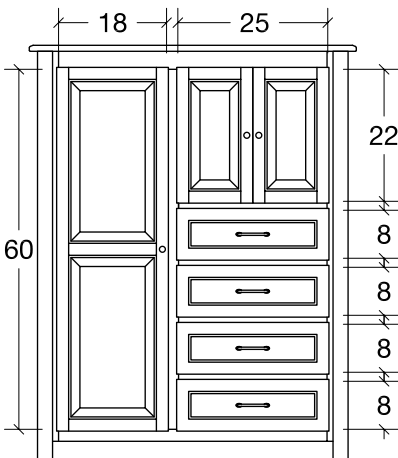
BEDOC
Belwright Door Chest
5 drawer, 1 door
42w x 22d x 52h



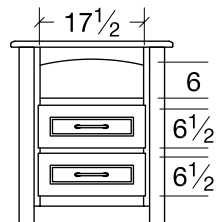
BEC6
Belwright Chest
6 drawer
42w x 22d x 52h



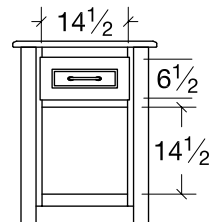
BE7DR60
Belwright Dresser
7 drawer
60w x 22d x 37h



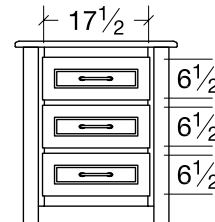
BECH
Belwright Chifferobe
4 drawer, 3 door
54 1/2w x 22d x 69h



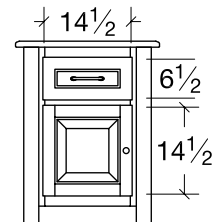
BENS20
Belwright Nightstand
2 drawer, 1 opening
27w x 19d x 30 1/2h



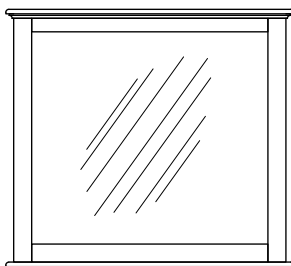
BENS1
Belwright Nightstand
1 drawer, 1 opening
24w x 19d x 30 1/2h



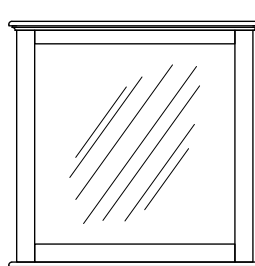
BENS3
Belwright Nightstand
3 drawer
27w x 19d x 30 1/2h



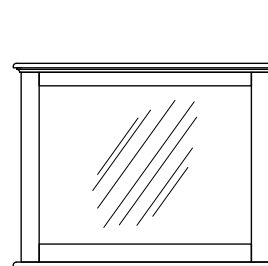
BENS1D
Belwright Nightstand
1 drawer, 1 door
24w x 19d x 30 1/2h



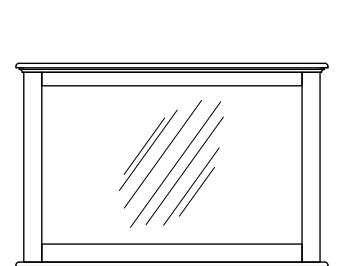
BEM48
Belwright Mirror
48w x 43h



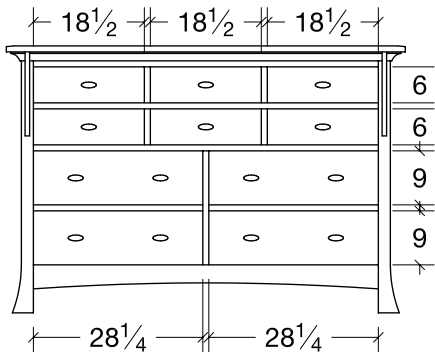
BEM42
Belwright Mirror
42w x 41h



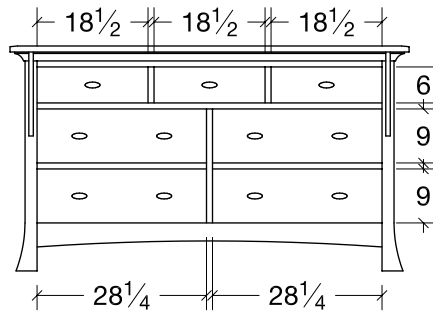
BEM44
Belwright Mirror
44w x 34h



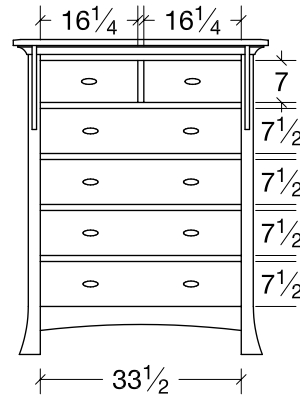
BEM52
Belwright Mirror
52w x 34h



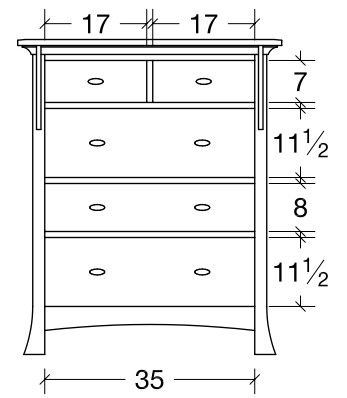
BRD10
Breckenridge Dresser
10 drawer
66 1/2w x 23 1/4d x 45h



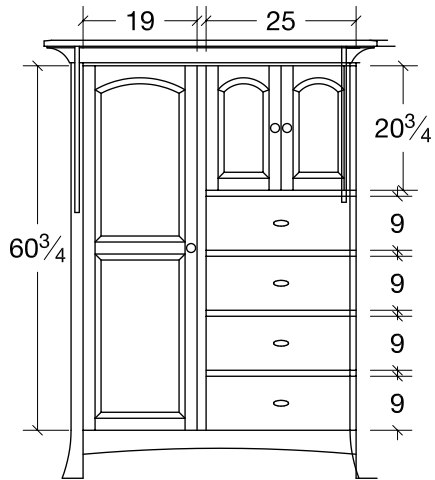
BRD7
Breckenridge Dresser
7 drawer
66 1/2w x 23 1/4d x 38h



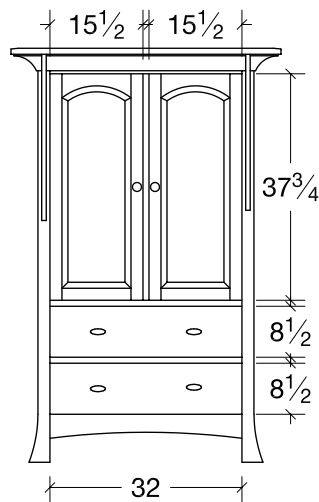
BRC6
Breckenridge Chest
6 drawer
42 1/2w x 23 1/4d x 53h



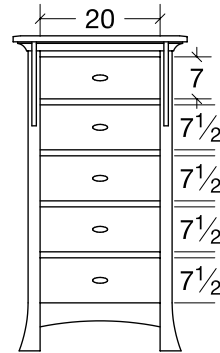
BRDEC
Breckenridge Desk Chest
5 drawer
44w x 23 1/4d x 53h



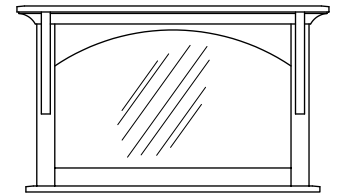
BRCH
Breckenridge Chifferobe
4 drawer, 3 door
58 1/2w x 25 1/4d x 73h



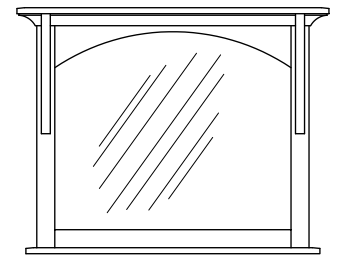
BRA
Breckenridge Armoire
2 drawer, 2 door
45w x 25 1/4d x 69h



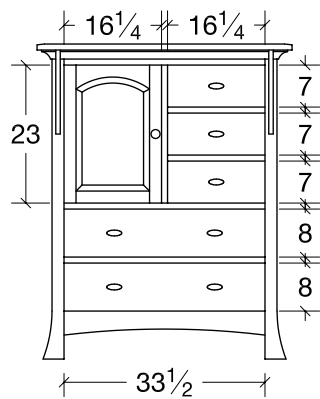
BRLC
Breckenridge Lingerie Chest
5 drawer
29w x 18 1/4d x 53h



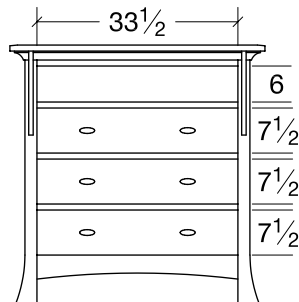
BRMV1
Breckenridge Mirror V.
52w x 31h



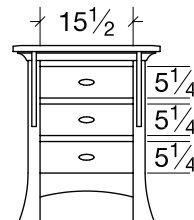
BRMV2
Breckenridge Mirror V.
52w x 41h



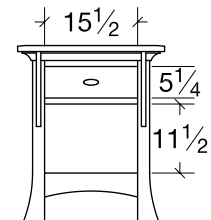
BRDOC
Breckenridge Door Chest
5 drawer, 1 door
42 1/2w x 23 1/4d x 53h



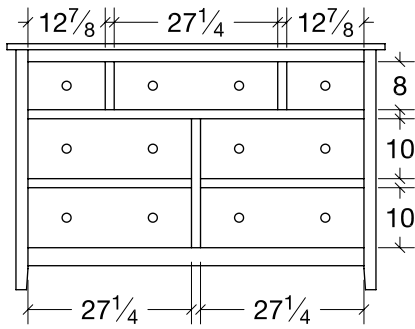
BRMEC
Breckenridge Media Chest
3 drawer, 1 opening
42 1/2w x 23 1/4d x 43h



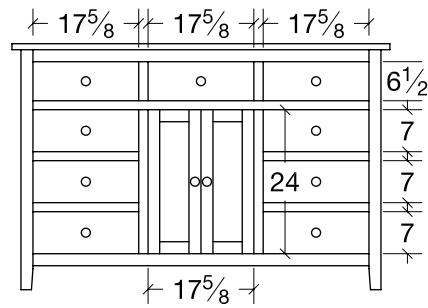
BRNS3
Breckenridge Nightstand
3 drawer
24 1/2w x 18 1/4d x 29 1/2h



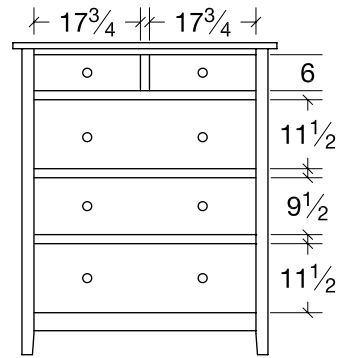
BRNS1
Breckenridge Nightstand
1 drawer, 1 opening
24 1/2w x 18 1/4d x 29 1/2h



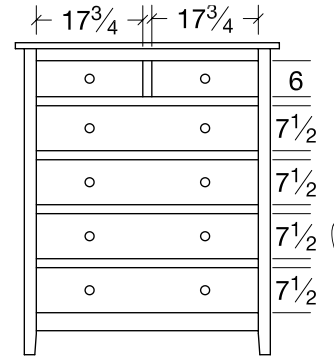
BUD7
Bungalow Dresser
7 drawer
63w x 22d x 41h



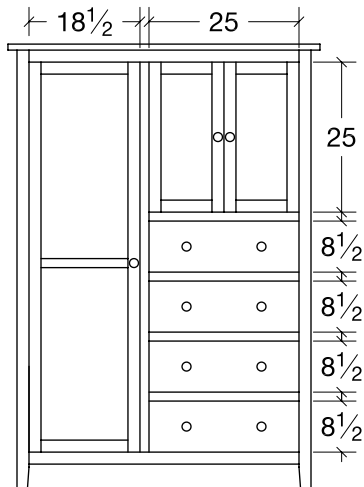
BUD9
Bungalow Dresser
9 drawer, 2 door
63w x 22d x 41h



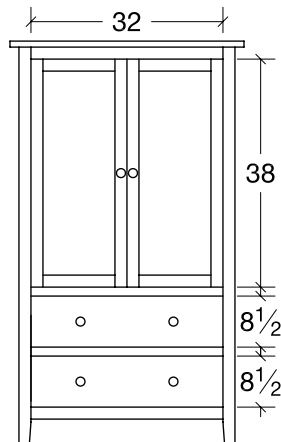
BUDEC
Bungalow Desk Chest
5 drawer
44w x 22d x 52h



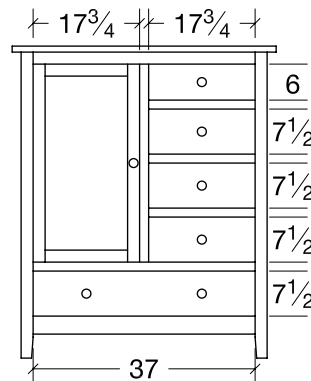
BUC6
Bungalow Chest
6 drawer
44w x 22d x 52h



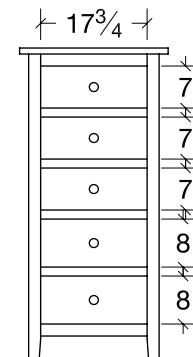
BUCH
Bungalow Chifferobe
4 drawer, 3 door
52w x 22d x 74h



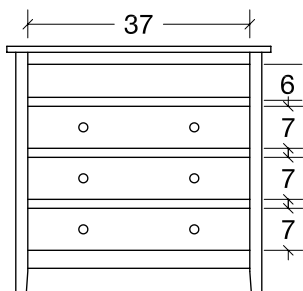
BUA
Bungalow Armoire
2 drawer, 2 door
39w x 22d x 67h



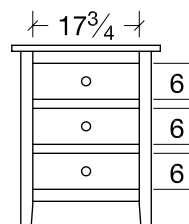
BUDOC
Bungalow Door Chest
5 drawer, 1 door
44w x 22d x 52h



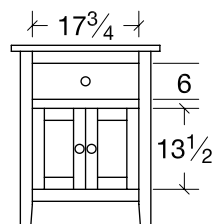
BULC
Bungalow Lingerie Chest
5 drawer
24 3/4w x 18 3/4d x 52h



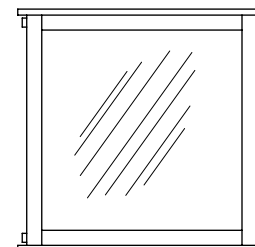
BUMEC
Bungalow Media Chest
3 drawer, 1 opening
44w x 22d x 41h



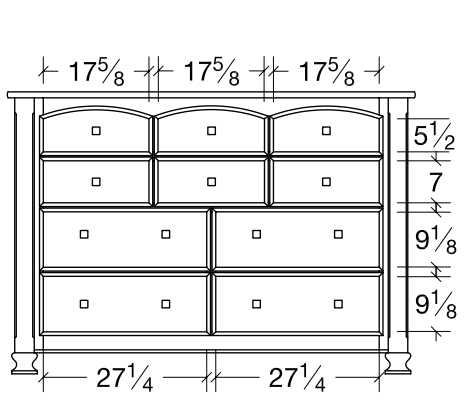
BUNS3
Bungalow Nightstand
3 drawer
24 3/4w x 18 3/4d x 30h



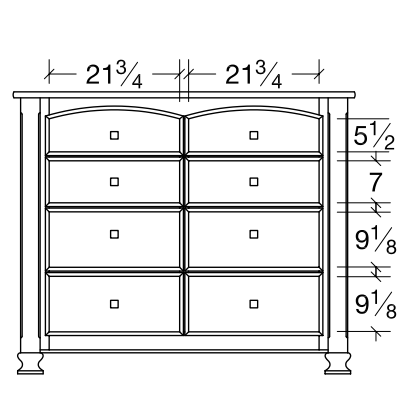
BUNS2D
Bungalow Nightstand
1 drawer, 2 door
24 3/4w x 18 3/4d x 30h



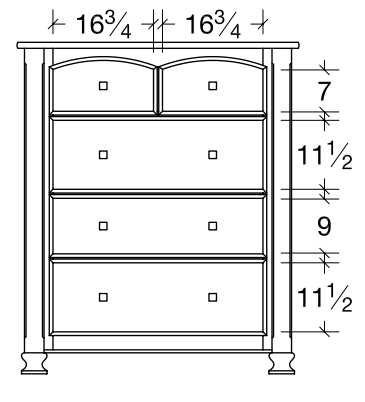
BUMT
Bungalow Mirror T.
41 3/8w x 40 3/8h



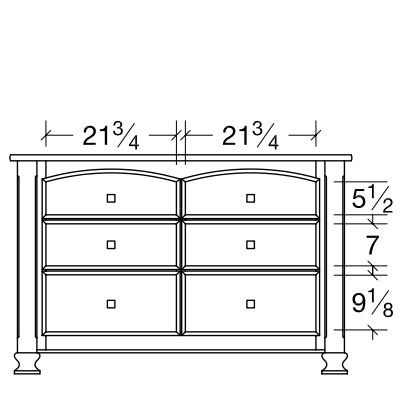
CHD10
Charleston Dresser
10 drawer
68w x 22d x 47h



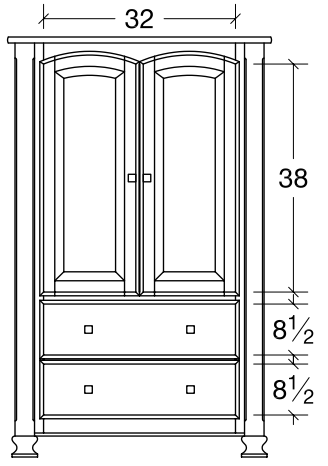
CHD8
Charleston Dresser
8 drawer
57w x 22d x 47h



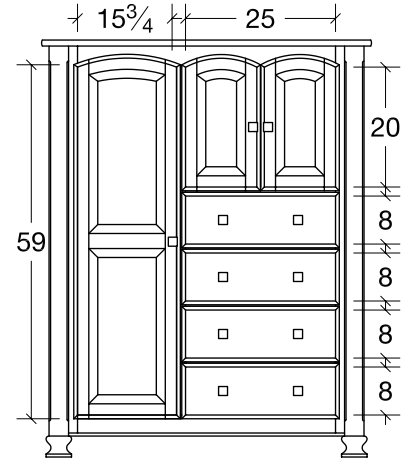
CHDEC
Charleston Desk Chest
5 drawer
47w x 22d x 55¼h



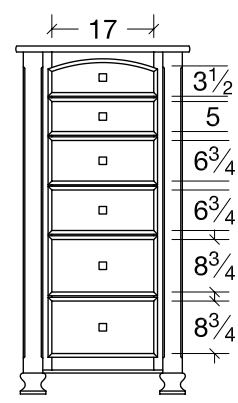
CHD6
Charleston Dresser
6 drawer
57w x 22d x 36½h



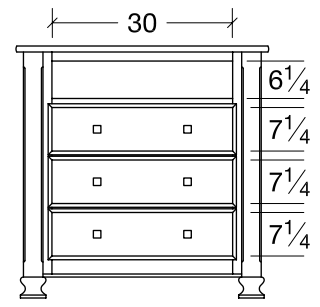
CHA
Charleston Armoire
2 drawer, 2 door
44w x 22d x 70h



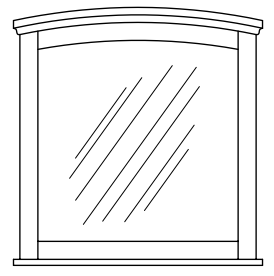
CHCH
Charleston Chifferobe
4 drawer, 3 door
55w x 22d x 69½h



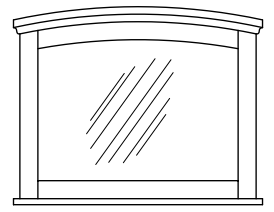
CHLC
Charleston Lingerie Chest
6 drawer
29w x 18d x 58h



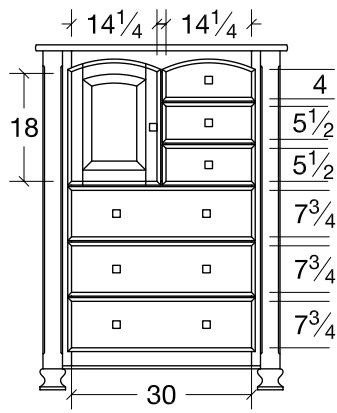
CHMEC
Charleston Media Chest
3 drawer, 1 opening
42w x 22d x 42h



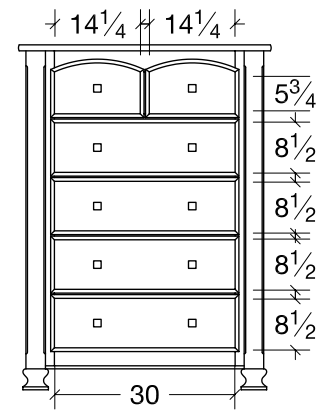
CHMU-2
Charleston Mirror U.
41½w x 43h



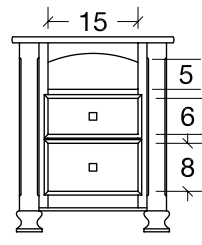
CHMU-1
Charleston Mirror U.
41½w x 33h



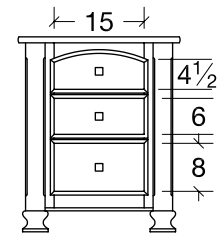
CHDOC
Charleston Chest
6 drawer, 1 door
42w x 22d x 57½h



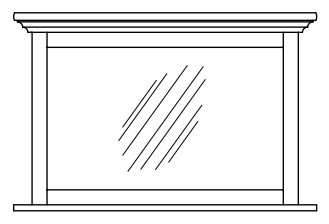
CHC6
Charleston Chest
6 drawer
42w x 22d x 57½h



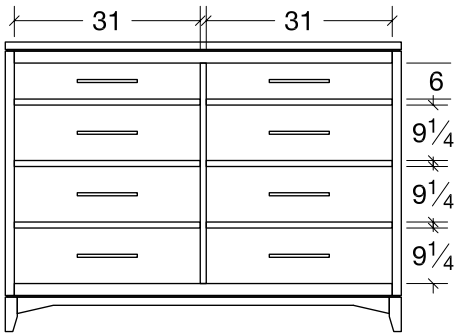
CHNS20
Charleston Nightstand
2 drawer, 1 opening
27x 18x 32½h



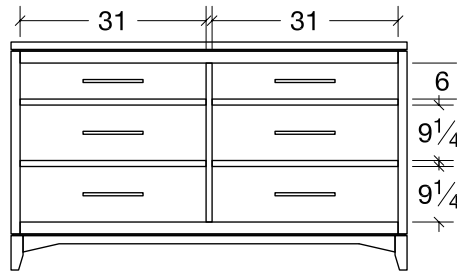
CHNS3
Charleston Nightstand
3 drawer
27x 18x 32½h



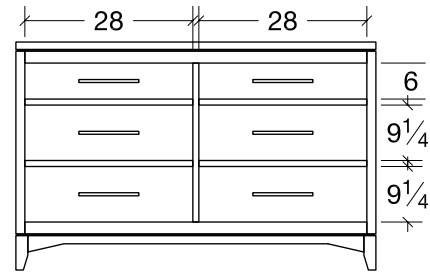
CHMS
Charleston Mirror S.
50½w x 33h



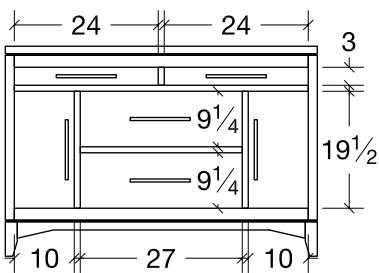
DUD8
Durham Dresser
8 Drawer
66w x 21¹/₄d x 48¹/₄h



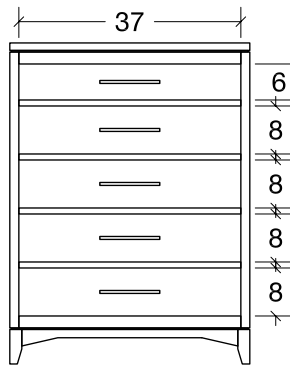
DUDR66
Durham Dresser
6 Drawer
66w x 21¹/₄d x 38h



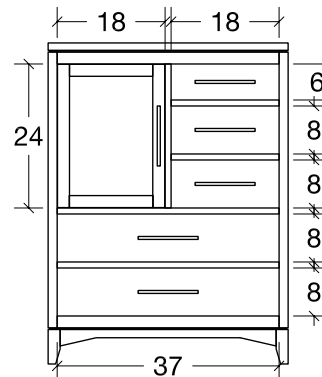
DUD60
Durham Dresser
6 Drawer
60w x 21¹/₄d x 38h



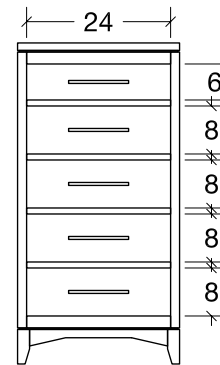
DUD2D
Durham Dresser
4 Drawer, 2 Door
52w x 21¹/₄d x 35h



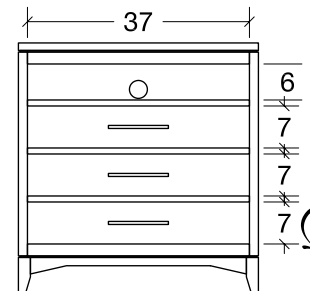
DUC5
Durham Chest
5 Drawer
40w x 21¹/₄d x 53¹/₂h



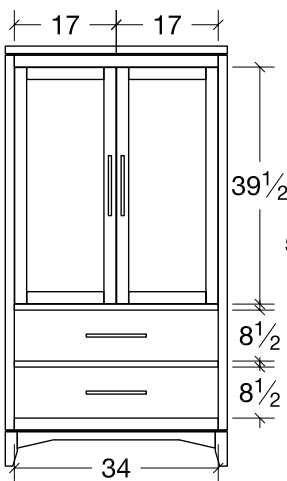
DUDOC
Durham Chest
5 Drawer, 1 Door
40w x 21¹/₄d x 53¹/₂h



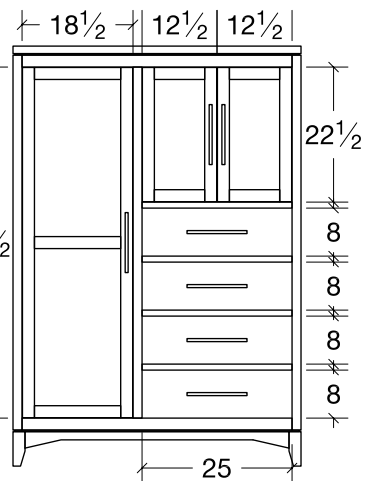
DULC
Durham Lingerie Chest
5 Drawer
27w x 18d x 53¹/₂h



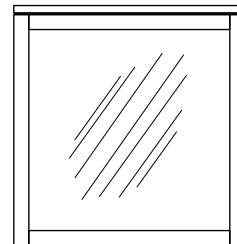
DUMEC
Durham Media Chest
3 Drawer
40w x 21¹/₄d x 41¹/₂h



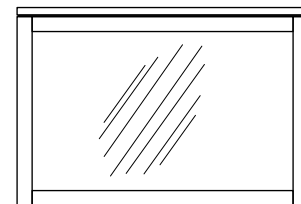
DUA
Durham Armoire
2 Drawer, 2 Door
37w x 21¹/₄d x 70h



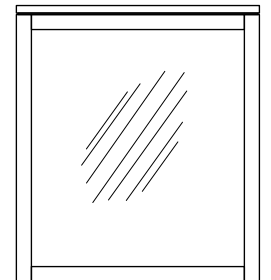
DUCH
Durham Chifferobe
4 Drawer, 3 Door
48w x 21¹/₄d x 70h



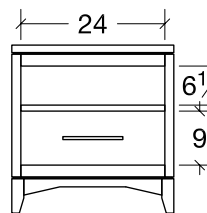
DUMR 40
Durham Mirror
38¹/₂w x 40h



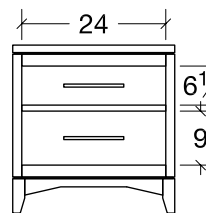
DUMR 33
Durham Mirror
48¹/₂w x 33h



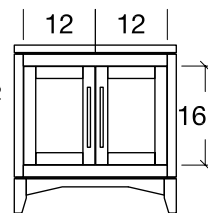
DUMR 46
Durham Mirror
40¹/₂w x 46h



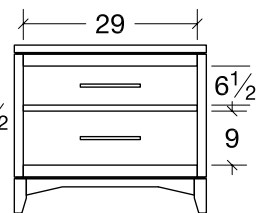
DUNS10
Durham Nightstand
1 Drawer
27w x 18d x 28h



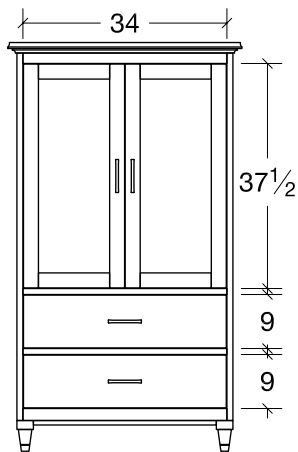
DUNS2
Durham Nightstand
2 Drawer
27w x 18d x 28h



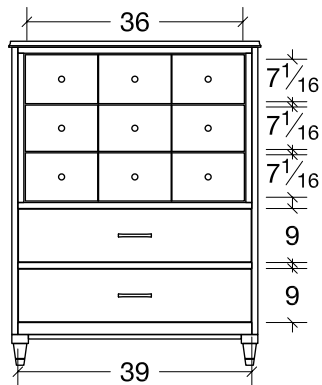
DUNS2D
Durham Nightstand
2 Door
27w x 18d x 28h



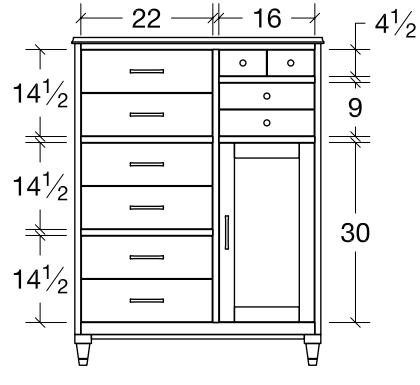
DUNS32
Durham Nightstand
2 Drawer
32w x 18d x 28h



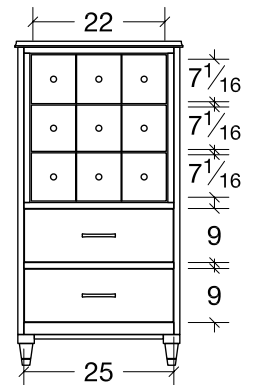
EDA
Edinburg Armoire
2 drawer, 2 door
39w x 22d x 69h



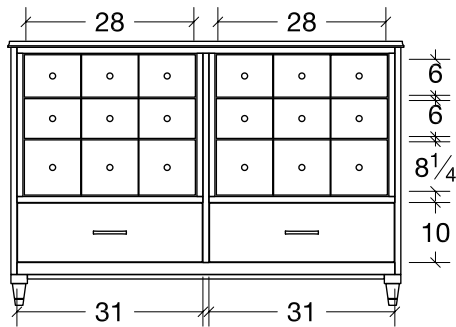
EDC5
Edinburg Chest
5 drawer
42w x 22d x 54h



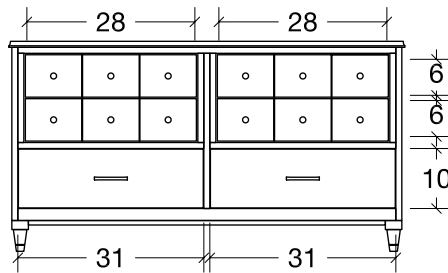
EDDOC
Edinburg Door Chest
5 drawer, 1 door
42w x 22d x 55 1/2h



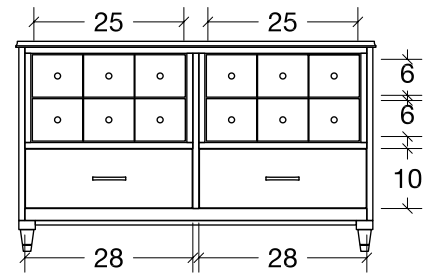
EDLC
Edinburg Lingerie Chest
5 drawer
28w x 17d x 54h



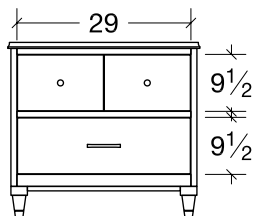
EDD8
Edinburg Dresser
8 drawer
66w x 22d x 44h



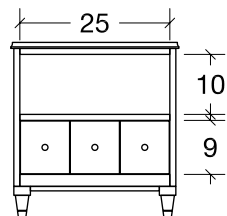
EDD6
Edinburg Dresser
6 drawer
66w x 22d x 35h



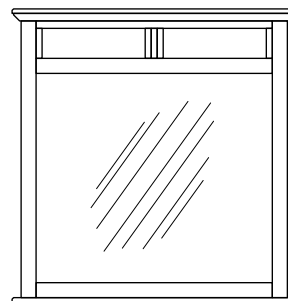
ED6DR60
Edinburg Dresser
6 drawer
60w x 22d x 35h



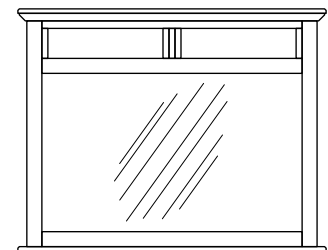
EDNS2
Edinburg Nightstand
2 drawer
32w x 17d x 30h



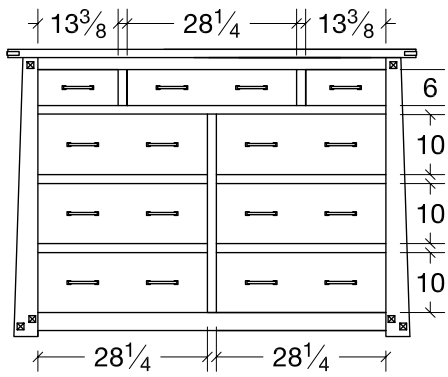
EDNS10
Edinburg Nightstand
1 drawer, 1 opening
28w x 17d x 30h



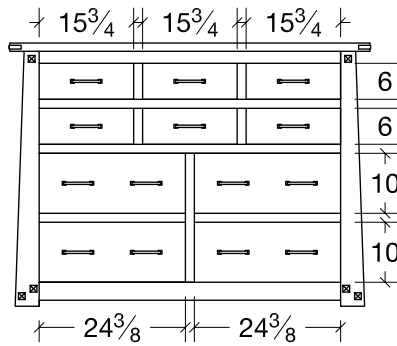
EDMR47
Edinburg Mirror
47 1/2w x 49h



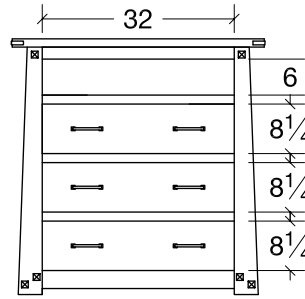
EDMR51
Edinburg Mirror
51 1/2w x 40 1/2h



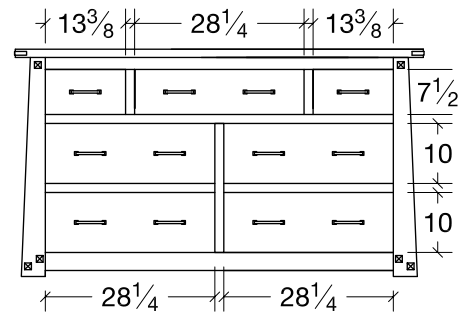
END9
Encada Dresser
9 drawer
68w x 21 1/2d x 48h



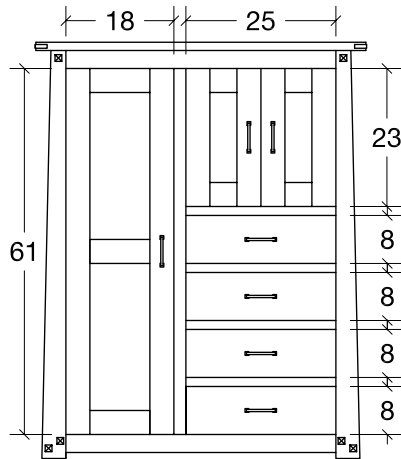
END10
Encada Dresser
10 drawer
60w x 21 1/2d x 44h



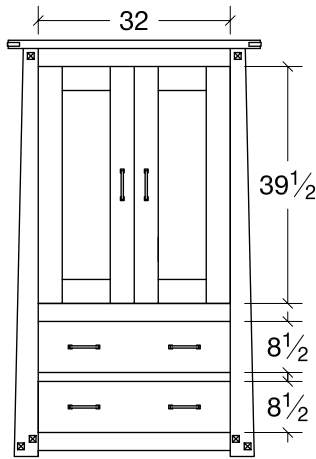
ENMC
Encada Media Chest
3 drawer, 1 opening
42w x 21 1/2d x 42 3/4h



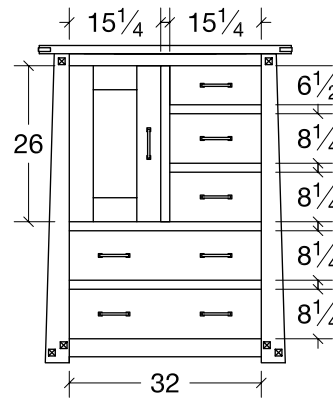
END7
Encada Dresser
7 drawer
68w x 21 1/2d x 38h



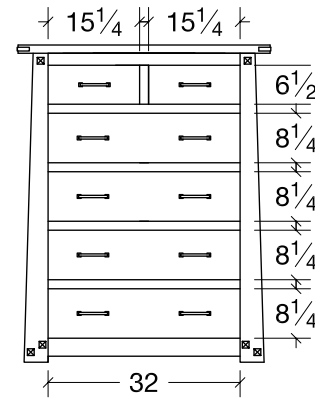
ENCH
Encada Chifferobe
4 drawer, 3 door
55w x 21 1/2d x 69 1/2h



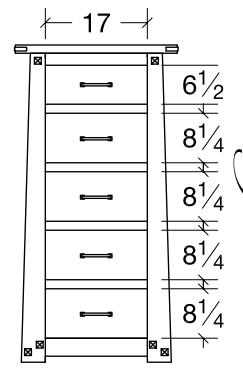
ENA
Encada Armoire
2 drawer, 2 door
42w x 21 1/2d x 69 1/2h



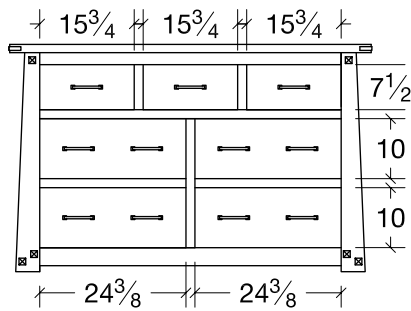
ENDOC
Encada Door Chest
5 drawer, 1 door
42w x 21 1/2d x 53h



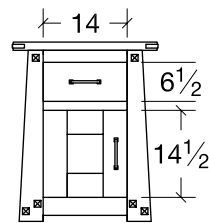
ENC6
Encada Chest
6 drawer
42w x 21 1/2d x 53h



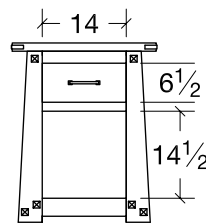
ENLC
Encada Lingerie Chest
5 drawer
27w x 18d x 53h



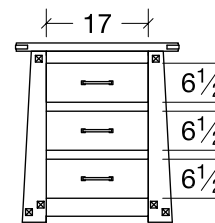
END60
Encada Dresser
7 drawer
60w x 21 1/2d x 38h



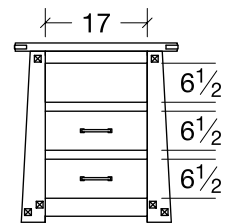
ENNS1D
Encada Nightstand
1 drawer, 1 door
24w x 18 3/4d x 30h



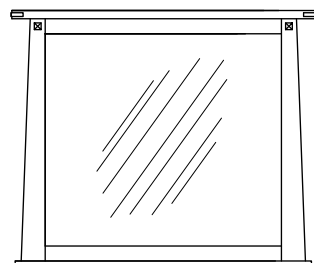
ENNS10
Encada Nightstand
1 drawer, 1 opening
24w x 18 3/4d x 30h



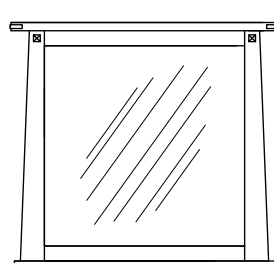
ENNS3
Encada Nightstand
3 drawer
27w x 18 3/4d x 30h



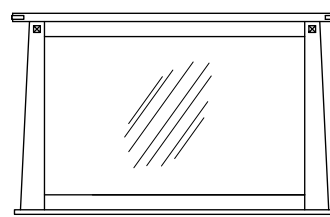
ENNS20
Encada Nightstand
2 drawer, 1 opening
27w x 18 3/4d x 30h



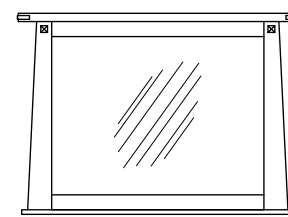
ENM50
Encada Mirror
50 1/2w x 43h



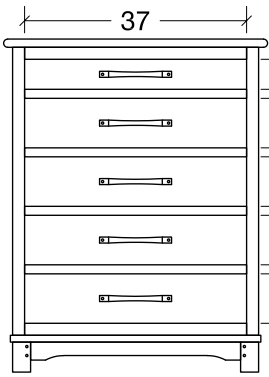
ENM44
Encada Mirror
44 1/2w x 41h



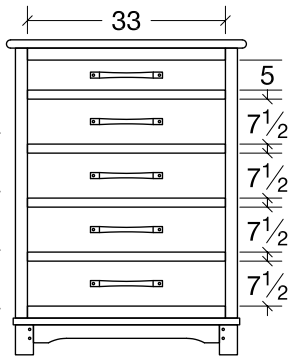
ENM54
Encada Mirror
54w x 34h



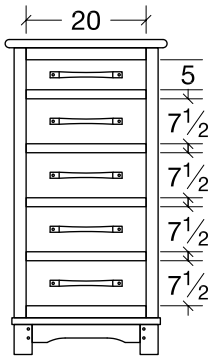
ENM46
Encada Mirror
46 1/2w x 34h



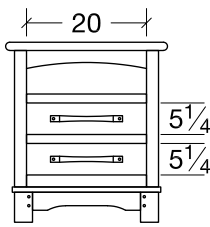
FHGC
Farmhouse Grand Chest
5 drawer
44w x 22d x 55 1/2h



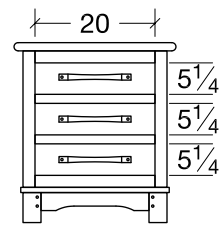
FHC5
Farmhouse 40" Chest
5 drawer
40w x 22d x 52 1/2h



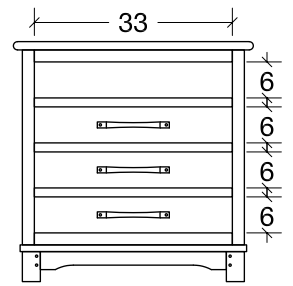
FHLC
Farmhouse Lingerie Chest
5 drawer
27w x 17 1/2d x 52 1/2h



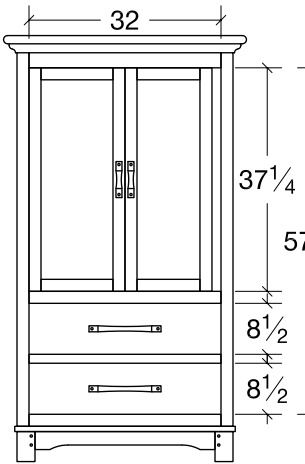
FHNS20
Farmhouse Nightstand
2 drawer, 1 Opening
27w x 17 1/2d x 30h



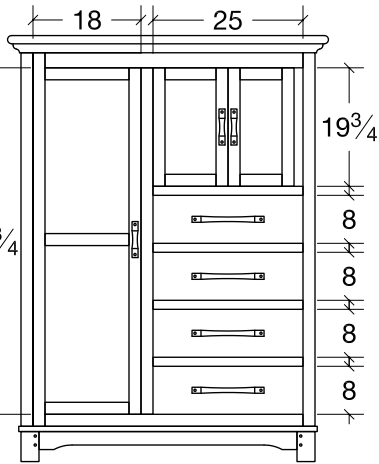
FHNS3
Farmhouse Nightstand
3 Drawer
27w x 17 1/2d x 30h



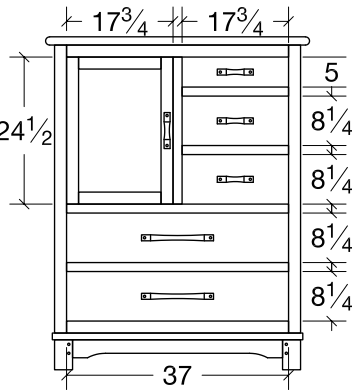
FHMEC
Farmhouse Media Chest
3 drawer, 1 Opening
40w x 22d x 40h



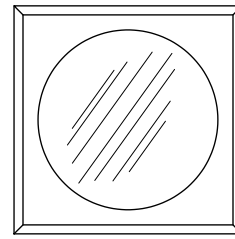
FHA
Farmhouse Armoire
2 drawer, 2 door
40 1/2w x 22 3/4d x 71h



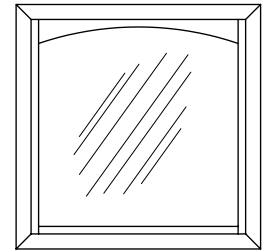
FHCH
Farmhouse Chifferobe
4 drawer, 3 door
53 1/2w x 22 3/4d x 71h



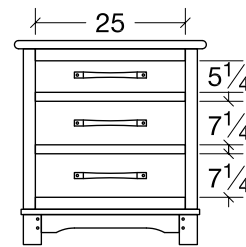
FHDOC
Farmhouse Door Chest
5 drawer, 1 door
44w x 22d x 55 1/2h



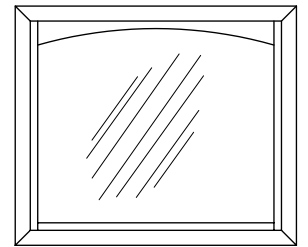
FHMRRD
Farmhouse Mirror
38w x 38h



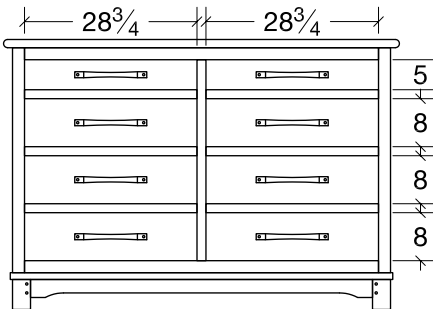
FHMR41
Farmhouse Mirror
41w x 41h



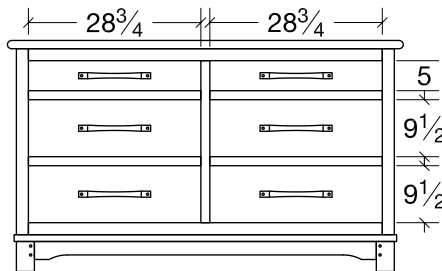
FHTNS
Farmhouse Nightstand
3 drawer
32w x 17 1/2d x 34h



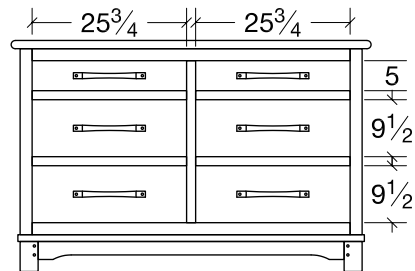
FHMR40
Farmhouse Mirror
47w x 40h
FHMR30
47w x 30h



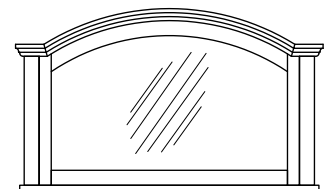
FHDR8
Farmhouse Dresser
8 drawer
66w x 22d x 45h



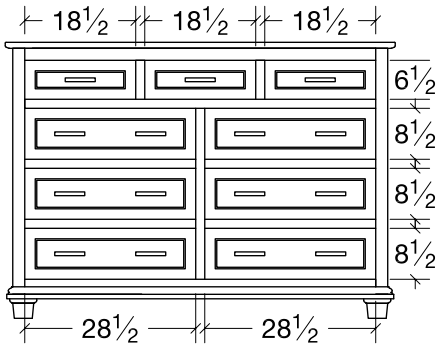
FHDR6
Farmhouse Dresser
6 drawer
66w x 22d x 38 1/2h



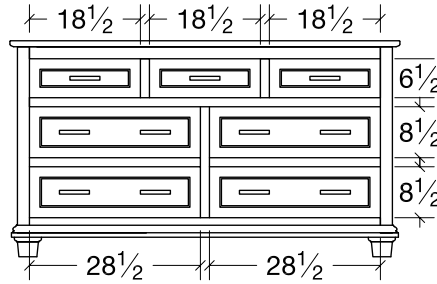
FH6DR60
Farmhouse Dresser
6 drawer
60w x 22d x 38 1/2h



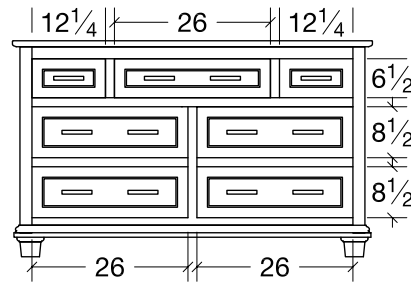
FHMRA30 1/2
Farmhouse Mirror
49 7/8w x 30 1/2h
FHMRA40 1/2
49 7/8w x 40 1/2h



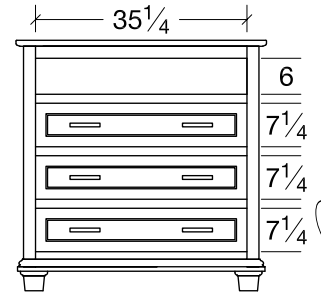
FRD9
Francine Dresser
9 drawer
65w x 21³/₄d x 46h



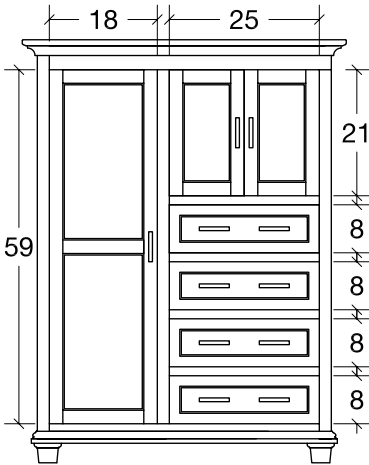
FRD7
Francine Dresser
7 drawer
65w x 21³/₄d x 36h



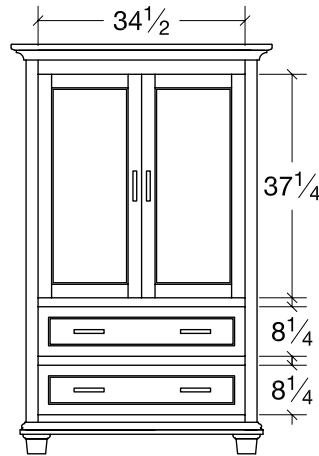
FRD60
Francine Dresser
7 drawer
60w x 21³/₄d x 36h



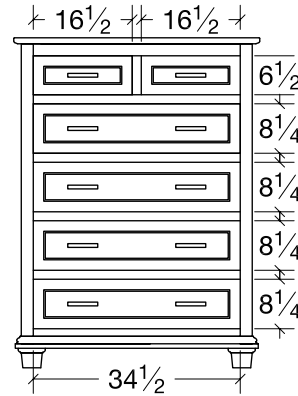
FRMC
Francine Media Chest
3 drawer, 1 opening
41w x 21³/₄d x 41³/₄h



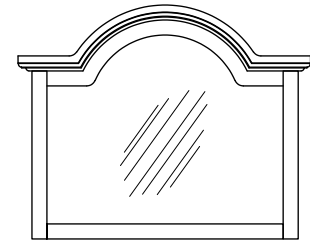
FRCH
Francine Chifferobe
4 drawer, 3 door
54w x 23d x 70¹/₂h



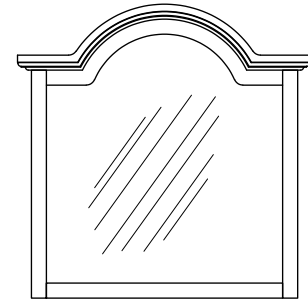
FRA
Francine Armoire
2 drawer, 2 door
43¹/₂w x 23d x 68¹/₄h



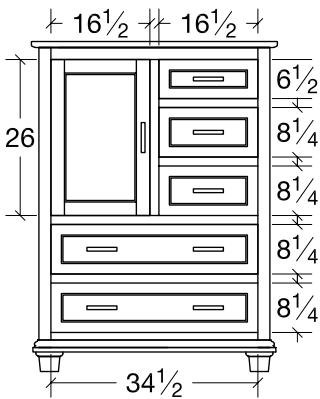
FRC6
Francine Chest
6 drawer
41w x 21³/₄d x 55h



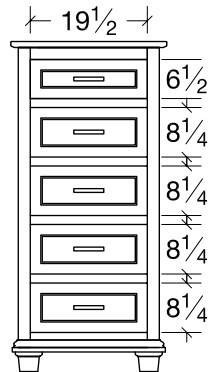
FRM-1
Francine Mirror
48w x 37h



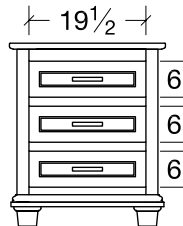
FRM-2
Francine Mirror
48w x 47h



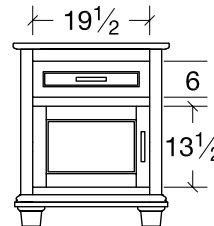
FRDOC
Francine Door Chest
5 drawer, 1 door
41w x 21³/₄d x 55h



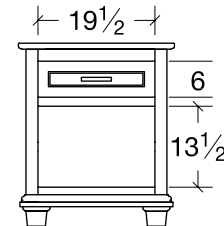
FRLC
Francine Lingerie Chest
5 drawer
26w x 18³/₄d x 55h



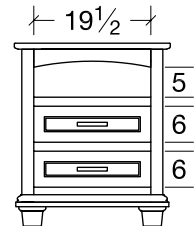
FRNS3
Francine Nightstand
3 drawer
26w x 18³/₄d x 30¹/₂h



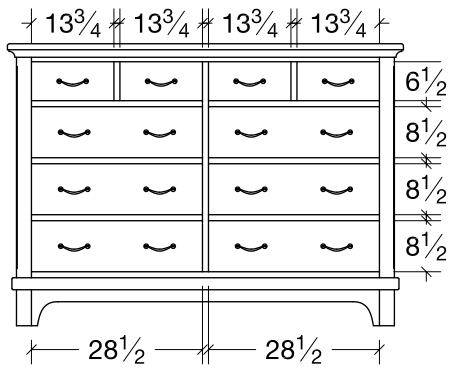
FRNS1D
Francine Nightstand
1 drawer, 1 door
26w x 18³/₄d x 30¹/₂h



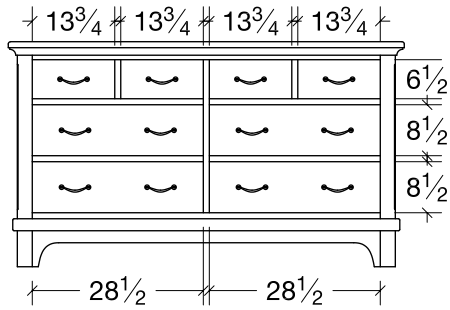
FRNS1
Francine Nightstand
1 drawer, 1 opening
26w x 18³/₄d x 30¹/₂h



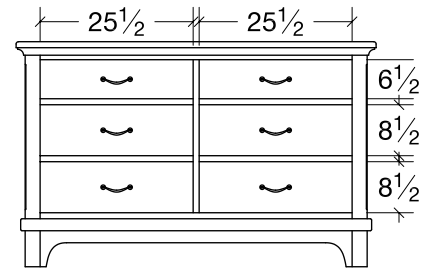
FRNS2
Francine Nightstand
2 drawer, 1 opening
26w x 18³/₄d x 30¹/₂h



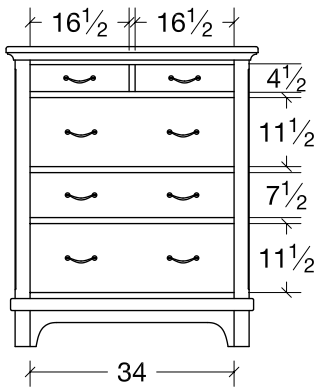
HCD10
Hamilton Court Dresser
10 drawer
66w x 22d x 47h



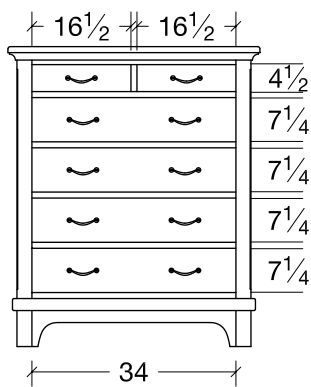
HCD8
Hamilton Court Dresser
8 drawer
66w x 22d x 37 1/2h



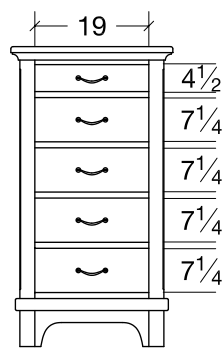
HCD6
Hamilton Court Dresser
6 drawer
60w x 22d x 37 1/2h



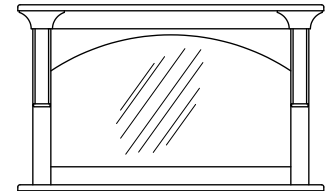
HCDEC
Hamilton Court Desk Chest
5 drawer
42w x 22d x 50h



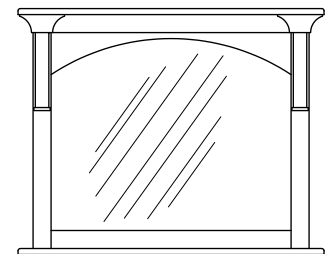
HCC6
Hamilton Court Chest
6 drawer
42w x 22d x 50h



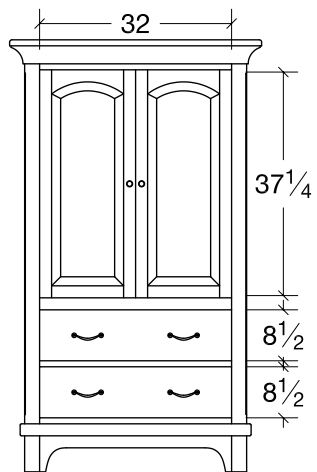
HCLC
Hamilton Court Lingerie Chest
5 drawer
27w x 17 1/2d x 50h



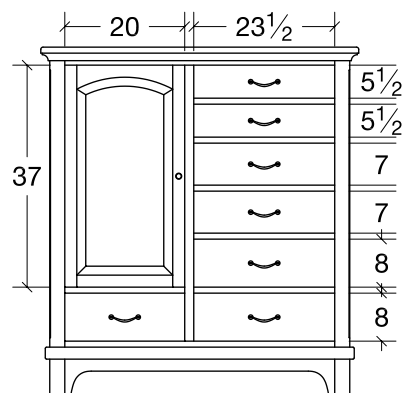
HCMC-1
Hamilton Court Mirror C.
51w x 31h



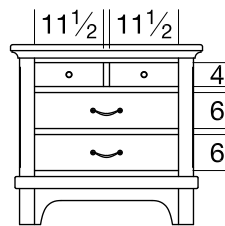
HCMC-2
Hamilton Court Mirror C.
51w x 41h



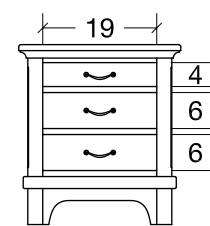
HCA
Hamilton Court Armoire
2 drawer, 2 door
42w x 23d x 72h



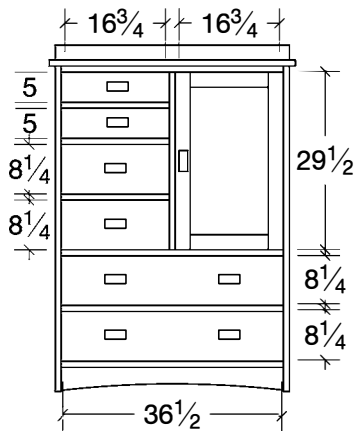
HCDOC
Hamilton Court Door Chest
7 drawer, 1 door
53w x 22d x 58h



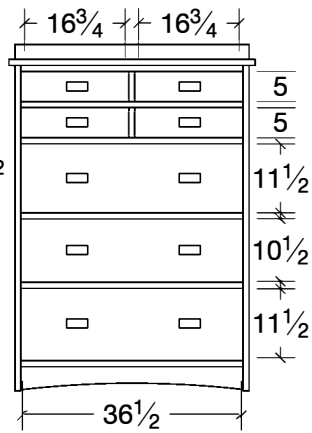
HCNS4
Hamilton Court Night Stand
4 drawer
32w x 17 1/2d x 30h



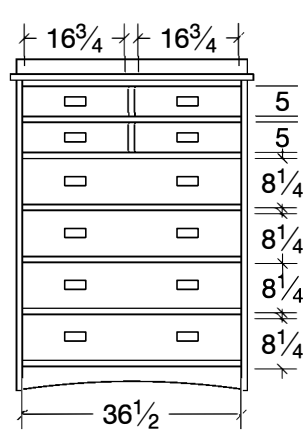
HCNS3
Hamilton Court Night Stand
3 drawer
27w x 17 1/2d x 30h



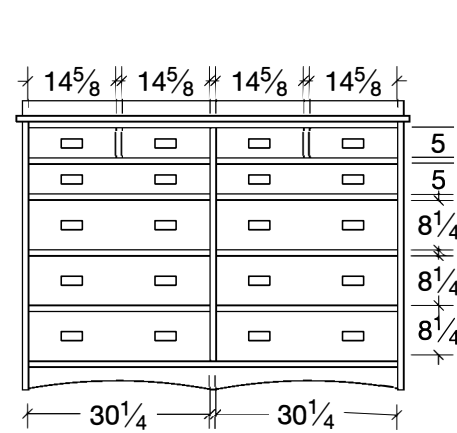
JADOC
Jacobson Door Chest
6 drawer, 1 door
41w x 21d x 57 1/2h



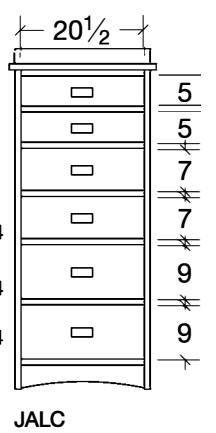
JADEC
Jacobson Desk Chest
7 drawer
41w x 21d x 57 1/2h



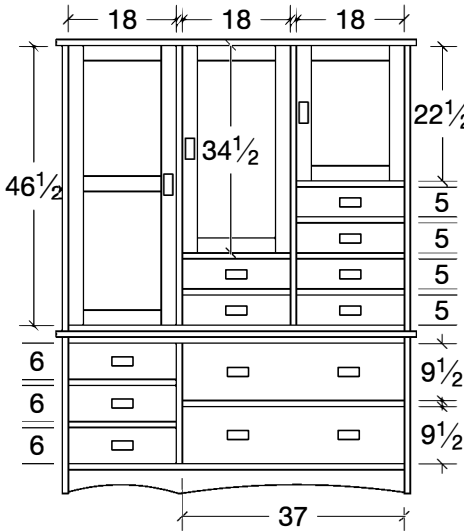
JAC8
Jacobson Chest
8 drawer
41w x 21d x 57 1/2h



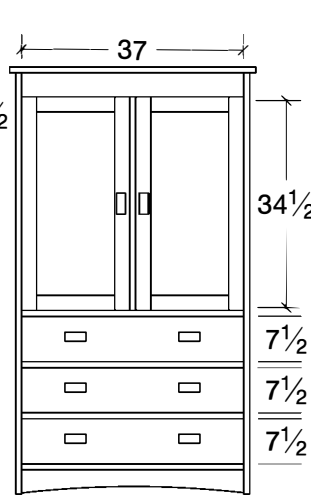
JAD12
Jacobson Dresser
12 drawer
66w x 21d x 48h



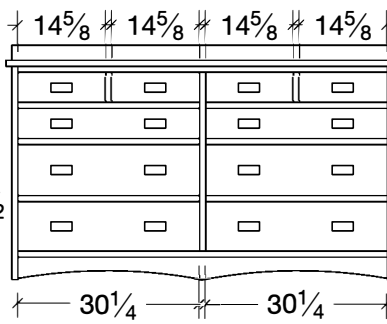
JALC
Jacobson Lingerie Chest
6 drawer
24 1/2w x 19 1/4d x 56 1/2h



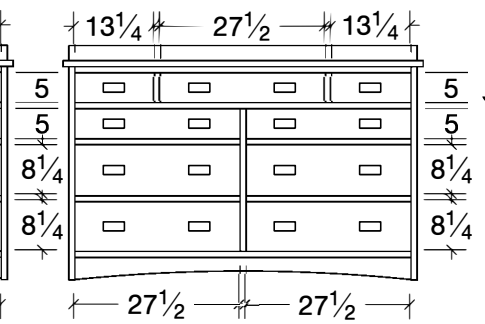
JASU
Jacobson Storage Unit
11 drawer, 3 door
60w x 21d x 76h, 2 pc.



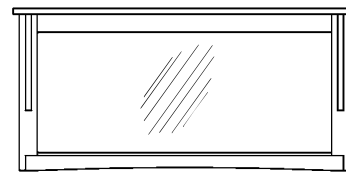
JAA
Jacobson 1pc Armoire
3 drawer, 2 door
41w x 21d x 71h



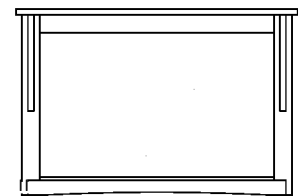
JAD10
Jacobson Dresser
10 drawer
66w x 21d x 39h



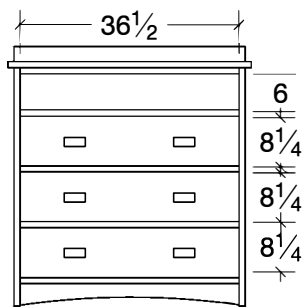
JAD9
Jacobson Dresser
9 drawer
60w x 21d x 39h



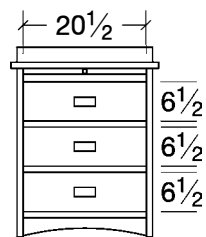
JAMM-2
Jacobson Mirror M.
57w x 27h



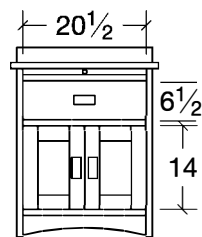
JAMM-1
Jacobson Mirror M.
47w x 31h



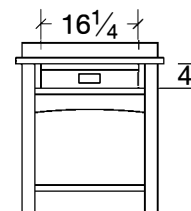
JAMEC
Jacobson Media Chest
3 drawer
41w x 21d x 43 1/2h



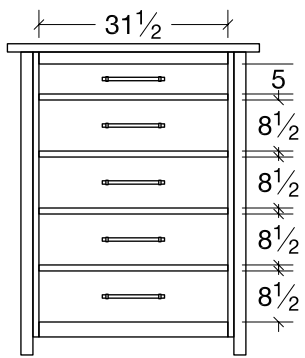
JANS3
Jacobson NightStand
3 drawer, 1 tray
24 1/2w x 19 1/4d x 31 1/2h



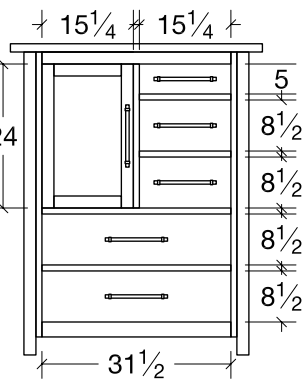
JANS2D
Jacobson Nightstand
1 drawer, 2 door, 1 tray
24 1/2w x 19 1/4d x 31 1/2h



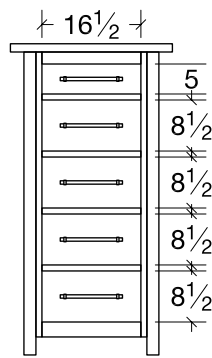
JANS1
Jacobson Nightstand
1 drawer, open slat
24 1/2w x 19 1/4d x 29h



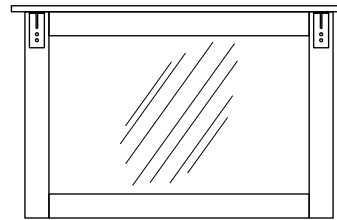
KEC5
Kensington Chest
5 drawer
42w x 22 1/4d x 52h



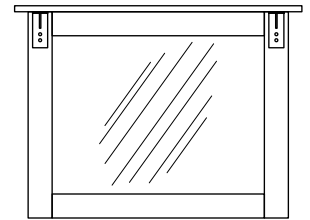
KEDOC
Kensington Door Chest
5 drawer, 1 door
42w x 22 1/4d x 52h



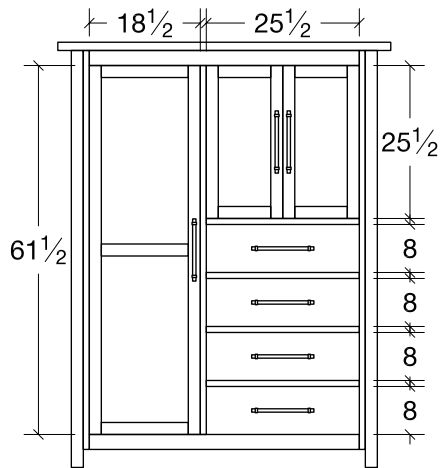
KELC
Kensington Lingerie Chest
5 drawer
27w x 18d x 52h



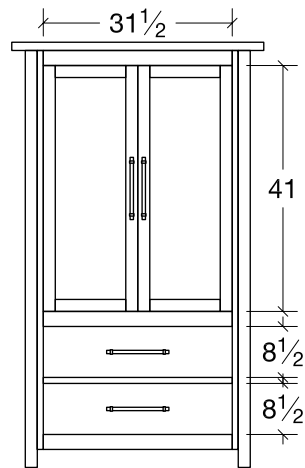
KEMR
Kensington Mirror
56w x 35 1/2h



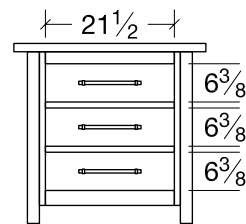
KEMR48
Kensington Mirror
48w x 35 1/2h



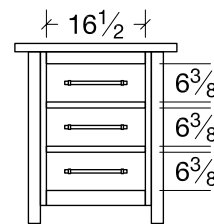
KECH
Kensington Chifferobe
4 drawer, 3 door
55 1/2w x 22 1/4d x 71h



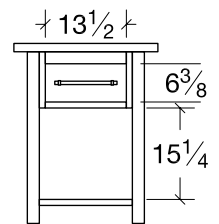
KEA
Kensington Armoire
2 drawer, 2 door
42w x 22 1/4d x 71h



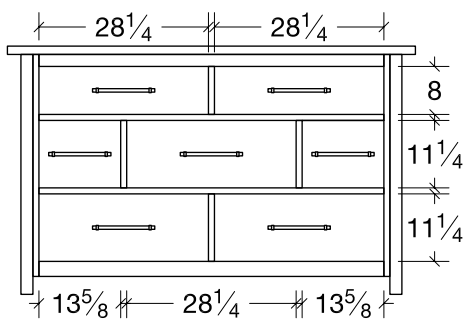
KENS32
Kensington Nightstand
3 drawer
32w x 18d x 30h



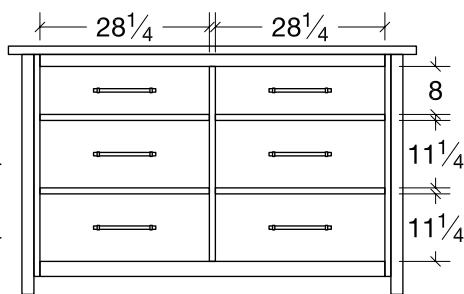
KENS27
Kensington Nightstand
3 drawer
27w x 18d x 30h



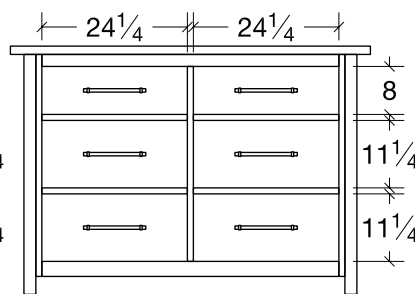
KENS1
Kensington Nightstand
1 drawer, 1 opening
24w x 18d x 30h



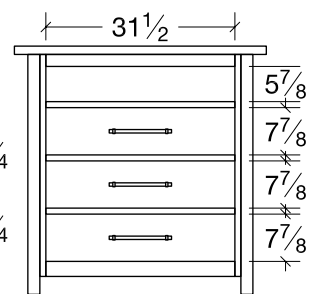
KEDR7
Kensington Dresser
7 drawer
68w x 22 1/4d x 41 1/2h



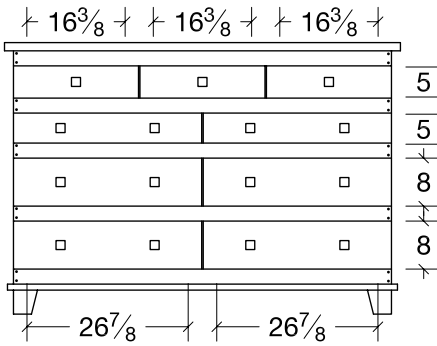
KEDR68
Kensington Dresser
6 drawer
68w x 22 1/4d x 41 1/2h



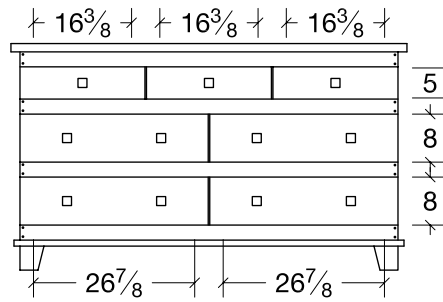
KEDR60
Kensington Dresser
6 drawer
60w x 22 1/4d x 41 1/2h



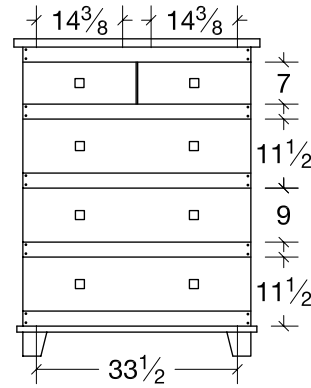
KEMEC
Kensington Media Chest
3 drawer, 1 opening
42w x 22 1/4d x 41 1/2h



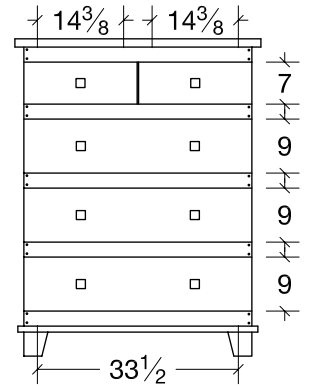
LAD9
Larado Dresser
9 drawer
66w x 22d x 45h



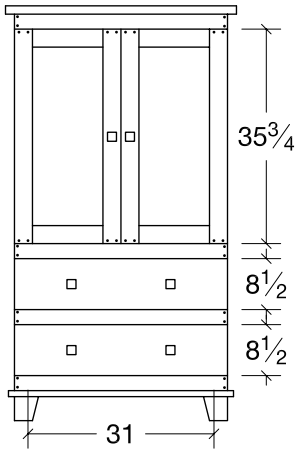
LAD7
Larado Dresser
7 drawer
66w x 22d x 38h



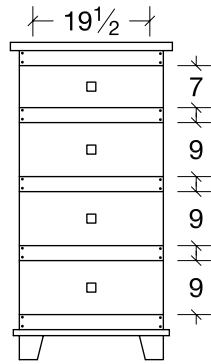
LADEC
Larado Desk Chest
5 drawer
41w x 22d x 53h



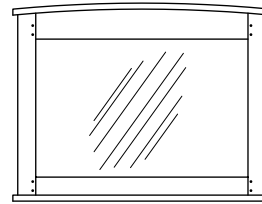
LAC5
Larado Chest
5 drawer
41w x 22d x 53h



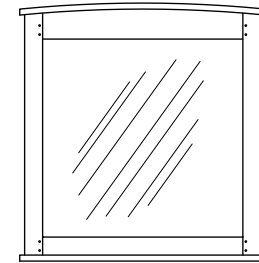
LAA
Larado Armoire
2 drawer, 2 door
38½w x 22d x 69h



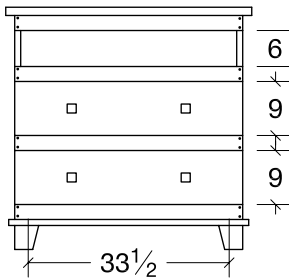
LALC
Larado Lingerie Chest
4 drawer
27w x 18d x 53h



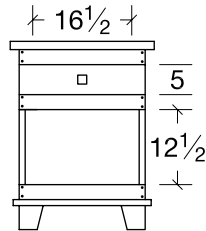
LAML-2
Larado Mirror L.
43w x 33h



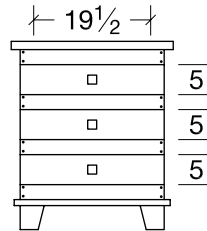
LAML-1
Larado Mirror L.
41w x 43h



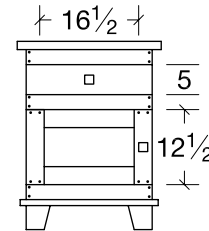
LAMEC
Larado Media Chest
2 drawer, 1 opening
41w x 22d x 41h



LANS1
Larado Nightstand
1 drawer, 1 opening
24w x 18d x 31½h

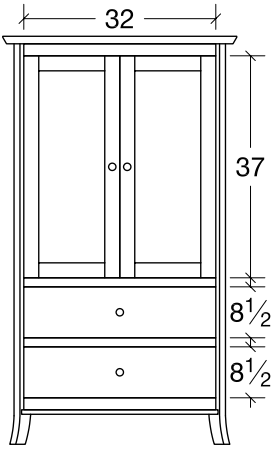


LANS3
Larado Nightstand
3 drawer
27w x 18d x 31½h

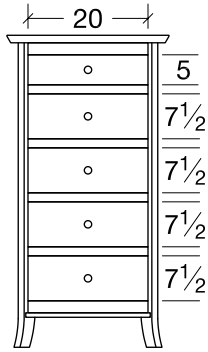


LANS1D
Larado Nightstand
1 drawer, 1 door
24w x 18d x 31½h

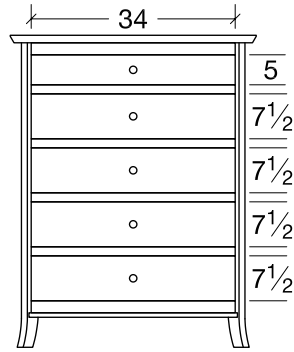
Laurel Collection



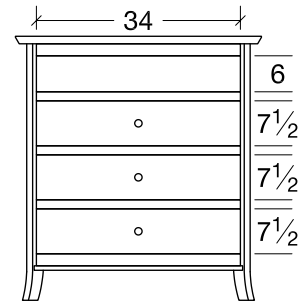
LLA
Laurel Armoire
 2 drawer, 2 door
 39w x 23d x 68h



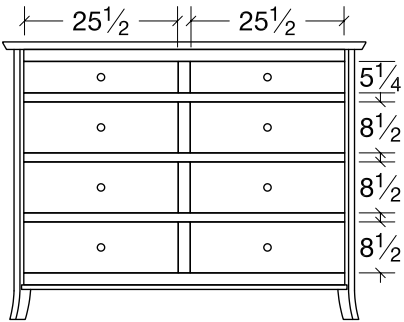
LLC
Laurel Lingerie Chest
 5 drawer
 27w x 18 1/4d x 52h



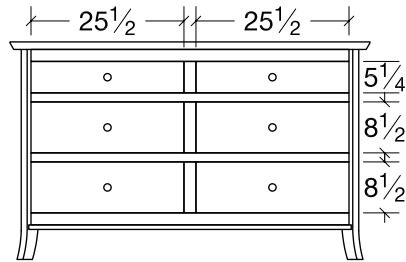
LLC5
Laurel Chest
 5 drawer
 41w x 23d x 52h



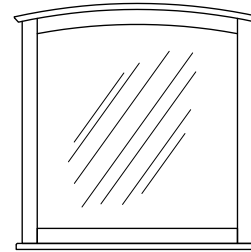
LLMC
Laurel Media Chest
 3 drawer, 1 opening
 41w x 23d x 43 1/2h



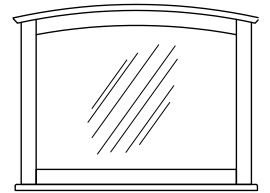
LLDR8
Laurel Dresser
 8 drawer
 60w x 23d x 46 1/4h



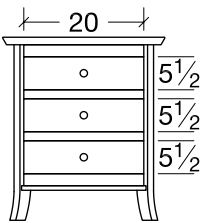
LLDR60
Laurel Dresser
 6 drawer
 60w x 23d x 36 1/4h



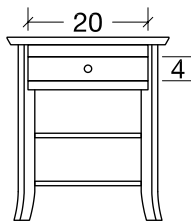
LLMR41
Laurel Mirror
 41w x 41h



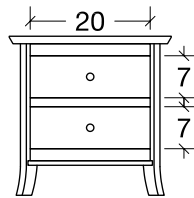
LLMR31
Laurel Mirror
 41w x 31h



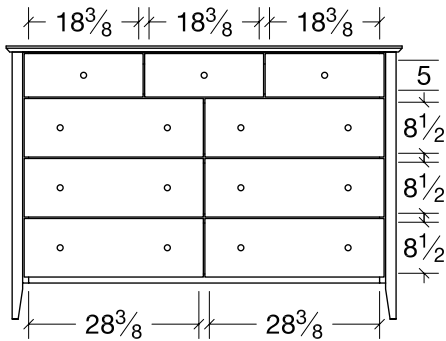
LLNS3
Laurel Night Stand
 3 drawer
 27w x 18 1/4d x 30 1/2h



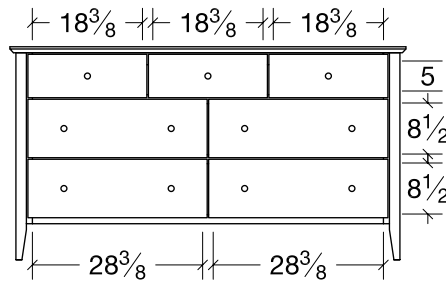
LLNS1
Laurel Night Stand
 1 drawer, 2 opening
 27w x 18 1/4d x 30 1/2h



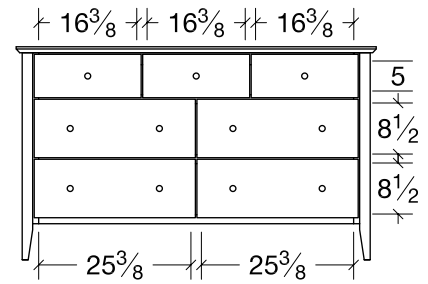
LLNS2
Laurel Night Stand
 2 drawer
 27w x 18 1/4d x 26 1/2h



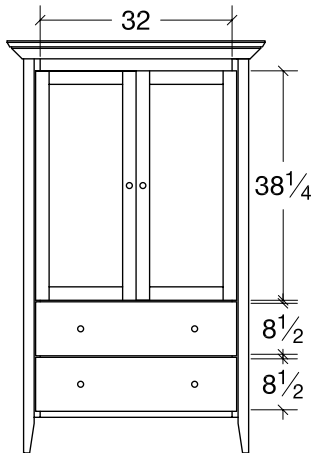
MED9
Medina Dresser
9 drawer
66w x 21³/₄d x 45¹/₂h



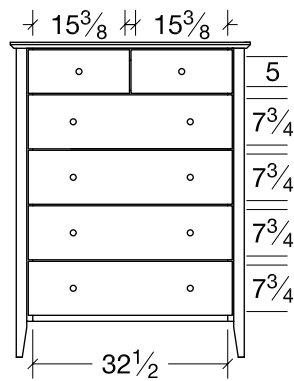
MED7
Medina Dresser
7 drawer
66w x 21³/₄d x 35¹/₂h



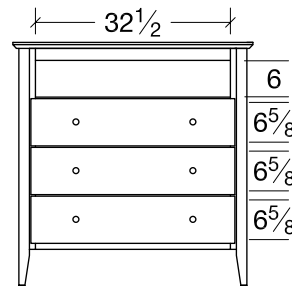
MED60
Medina Dresser
7 drawer
60w x 21³/₄d x 35¹/₂h



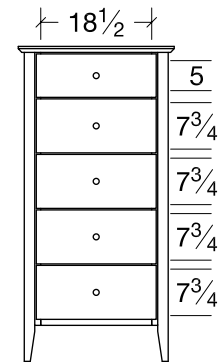
MEA
Medina Armoire
2 drawer, 2 door
42³/₄w x 23¹/₂d x 71h



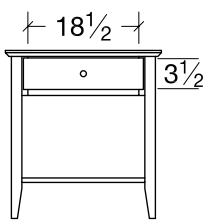
MEC6
Medina Chest
6 drawer
40w x 21³/₄d x 52¹/₂h



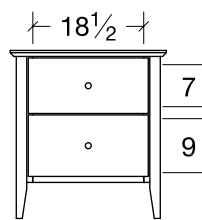
MEMC
Medina Media Chest
3 drawer, 1 opening
40w x 21³/₄d x 41h



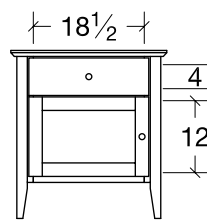
MELC
Medina Lingerie Chest
5 drawer
26w x 16¹/₂d x 52¹/₂h



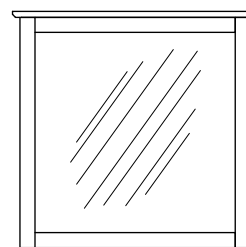
MENS1
Medina Nightstand
1 drawer, 1 opening
26w x 16¹/₂d x 28h



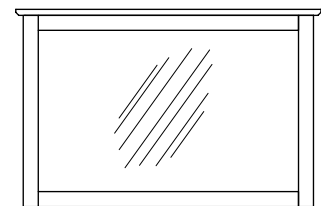
MENS2
Medina Nightstand
2 drawer
26w x 16¹/₂d x 28h



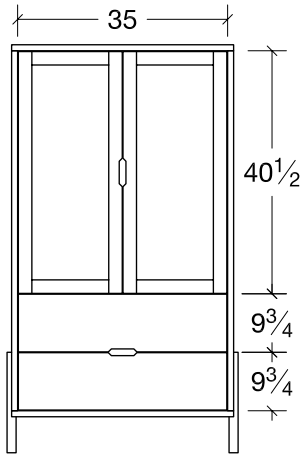
MENS1D
Medina Nightstand
1 drawer, 1 door
26w x 16¹/₂d x 28h



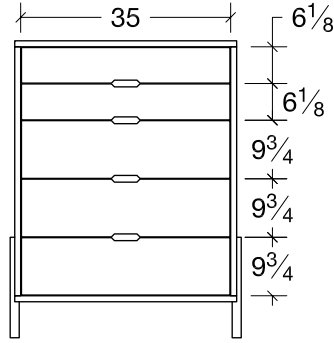
MEM41
Medina Mirror
41w x 39¹/₂h



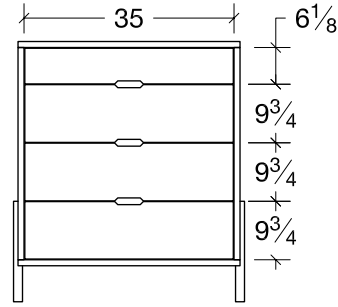
MEM51
Medina Mirror
51w x 33h



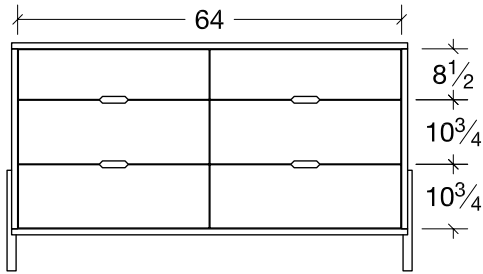
NOA
Nova Armoire
2 door, 2 drawer
37w x 21d x 68h



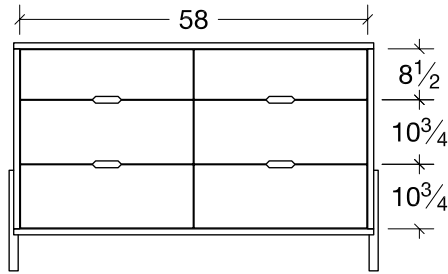
NOC5
Nova Chest
5 drawer
37w x 21d x 49 1/2h



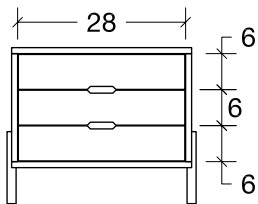
NOC4
Nova Chest
4 drawer
37w x 21d x 43 1/2h



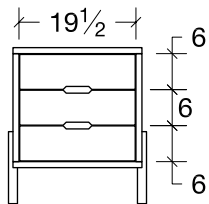
NODR6
Nova Dresser
6 drawer
66w x 21d x 38h



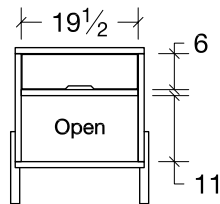
NO6DR60
Nova Dresser
6 drawer
60w x 21d x 38h



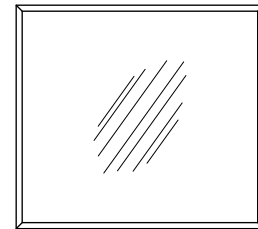
NONS30
Nova Nightstand
3 drawer
30w x 16d x 26h



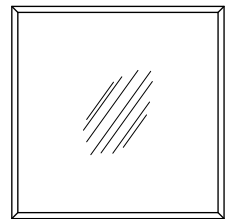
NONS3
Nova Nightstand
3 drawer
21 1/2w x 16d x 26h



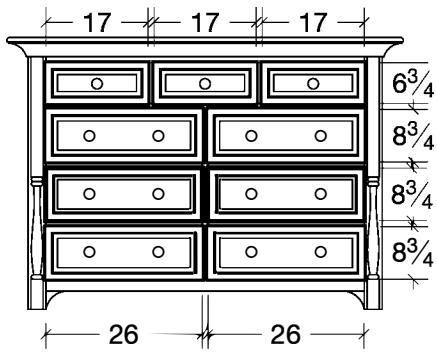
NONS1
Nova Nightstand
1 drawer, 1 opening
21 1/2w x 16d x 26h



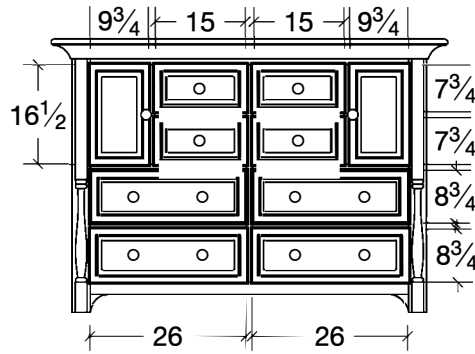
NOMR41
Nova Mirror
41 1/4w x 37 1/4h



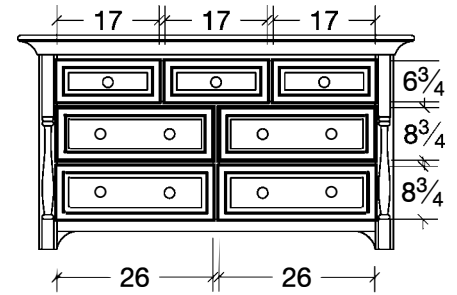
NOMR
Nova Mirror
35 3/8w x 35 3/8h



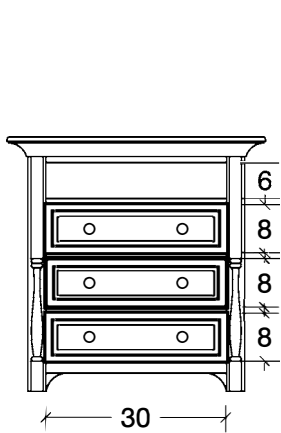
PAD9
Palisade Dresser
9 drawer
66w x 22d x 45 1/2h



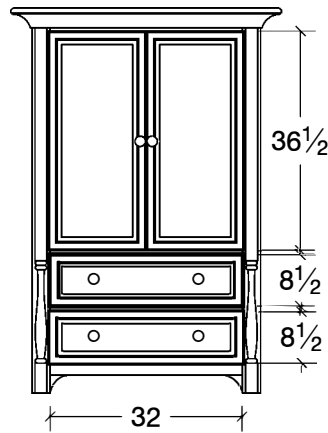
PAD2D
Palisade Dresser
8 drawer, 2 door
66w x 22d x 45 1/2h



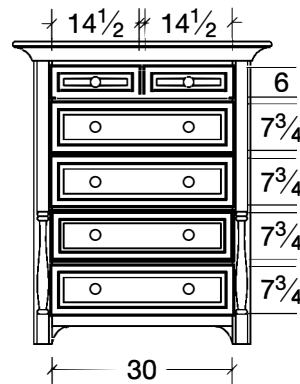
PAD7
Palisade Dresser
7 drawer
66w x 22d x 35 3/4h



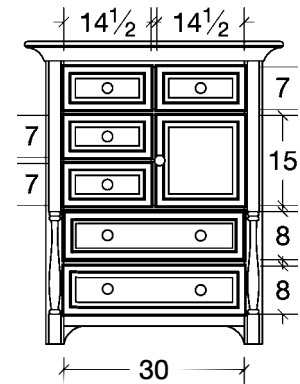
PAMEC
Palisade Media
3 drawer, 1 opening
43w x 22d x 42 1/2h



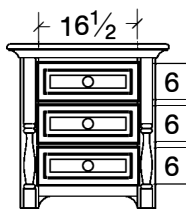
PAA
Palisade Amoire
2 drawer, 2 door
45w x 22d x 65h



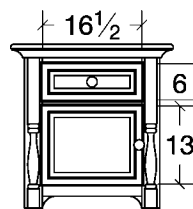
PAC6
Palisade Chest
6 drawer
43w x 22d x 50 1/2h



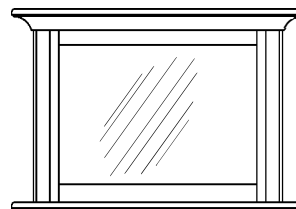
PADOC
Palisade Chest
6 drawer, 1 door
43w x 22d x 50 1/2h



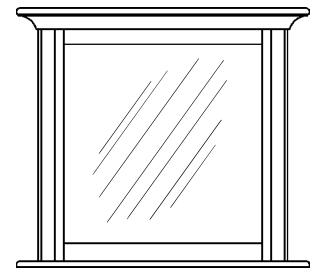
PANS3
Palisade Nightstand
3 drawer
27w x 18d x 27 1/2h



PANS1D
Palisade Nightstand
1 drawer, 1 door
27w x 18d x 27 1/2h

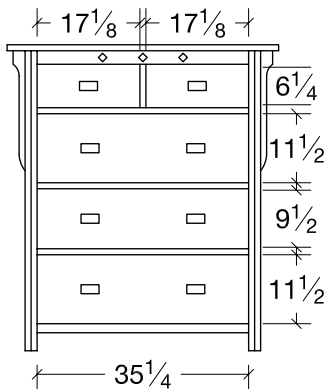


PAMQ-2
Palisade Mirror Q.
48 1/2w x 33h

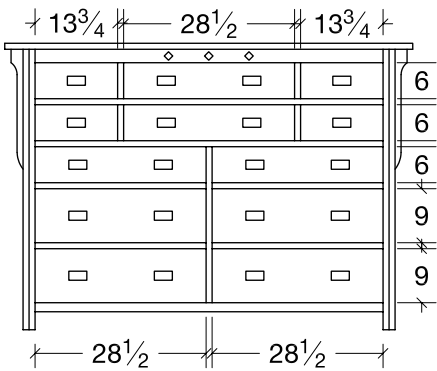


PAMQ-1
Palisade Mirror Q.
48 1/2w x 43h

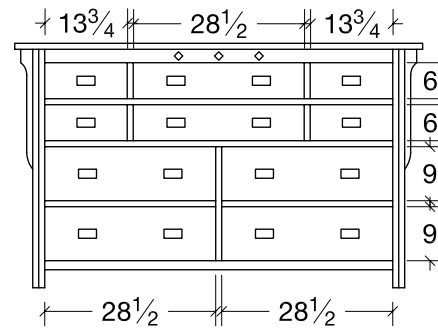
Royal Mission Collection



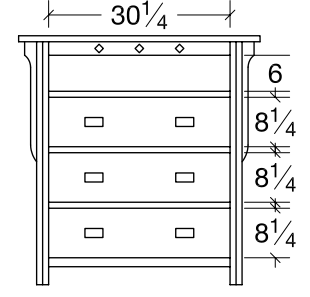
RMDEC
Royal Mission Desk Chest
5 drawer
45 1/4w x 22d x 51h



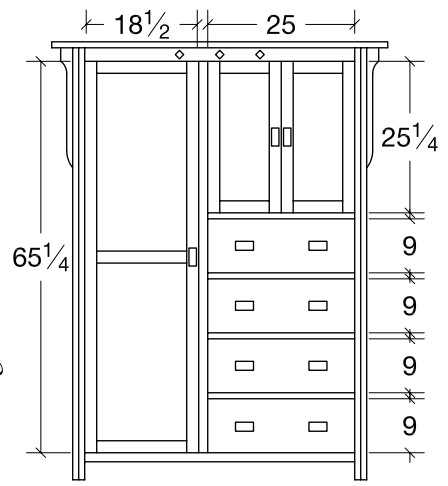
RMD12
Royal Mission Dresser
12 drawer
68w x 22d x 48h



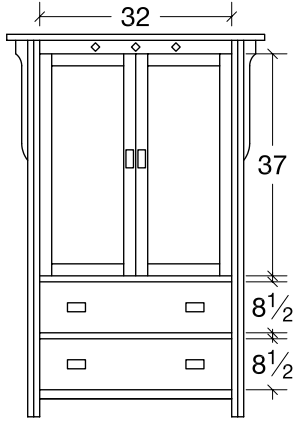
RMD10
Royal Mission Dresser
10 drawer
68w x 22d x 41h



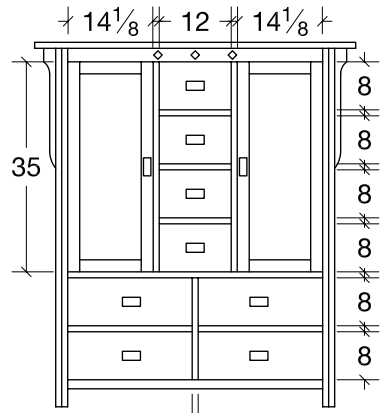
RMMEC
Royal Mission Media Chest
3 drawer, 1 opening
40 1/4w x 22d x 42h



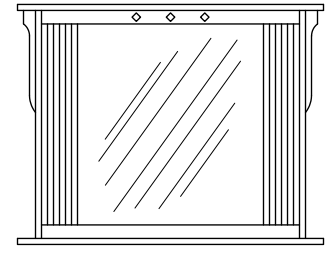
RMCH
Royal Mission Chifferobe
4 drawer, 3 door
56w x 22d x 73h



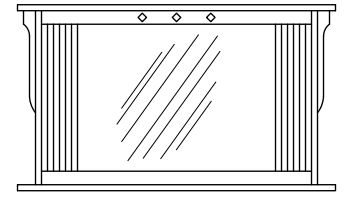
RMA
Royal Mission Armoire
2 drawer, 2 door
43w x 22d x 64h



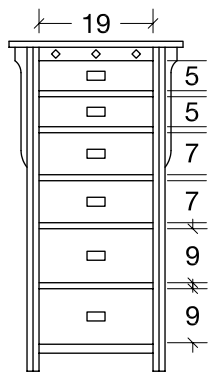
RMDOC
Royal Mission Door Chest
8 drawer, 2 door
53 1/2w x 22d x 61h



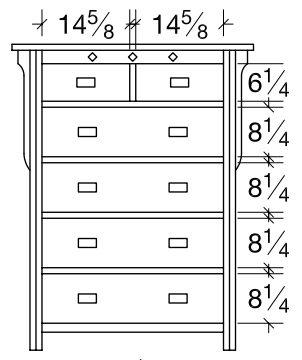
RMMK-1
Royal Mission Mirror K.
51w x 40h



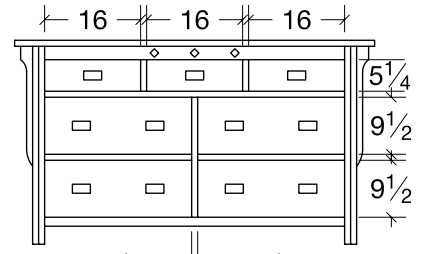
RMMK-2
Royal Mission Mirror K.
53w x 31h



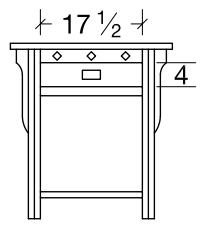
RMLC
Royal Mission Lingerie
6 drawer
29w x 18d x 55h



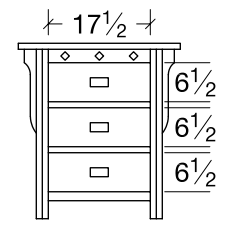
RMC6
Royal Mission Chest
6 drawer
40 1/4w x 22d x 51h



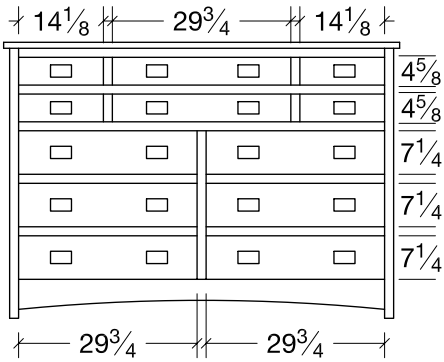
RMD7
Royal Mission Dresser
7 drawer
60w x 22d x 34h



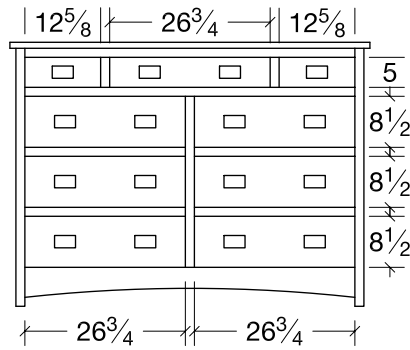
RMNS1
Royal Mission Nightstand
1 drawer, 1 open Slat
27w x 18d x 29 1/2h



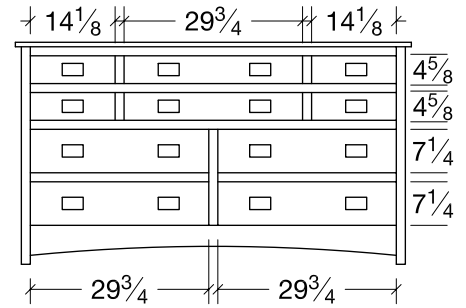
RMNS3
Royal Mission Nightstand
3 drawer
27w x 18d x 29 1/2h



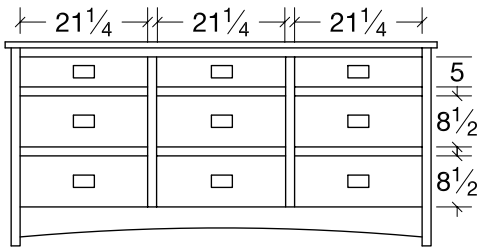
SMD12
Schwartz Mission
Dresser
12 drawer
66w x 21d x 46h



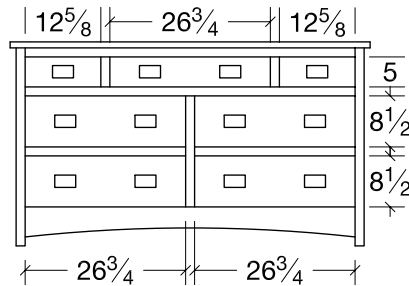
SMD9
Schwartz Mission
Dresser
9 drawer
60w x 21d x 44h



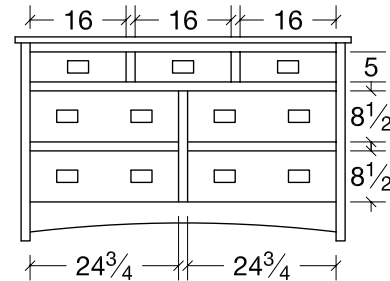
SMD10
Schwartz Mission
Dresser
10 drawer
66w x 21d x 37h



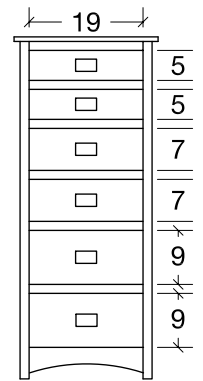
SMD72
Schwartz Mission
Dresser
9 drawer
72w x 21d x 34h



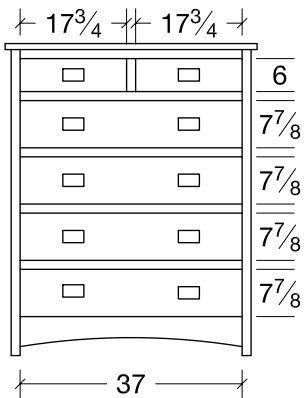
SMD7
Schwartz Mission
Dresser
7 drawer
60w x 21d x 34h



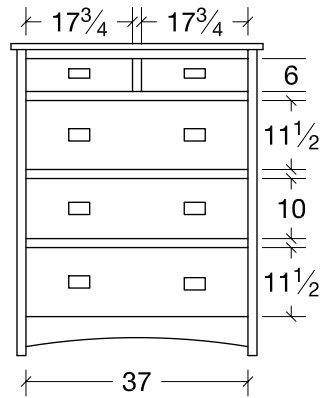
SMD56
Schwartz Mission
Dresser
7 drawer
56w x 21d x 34h



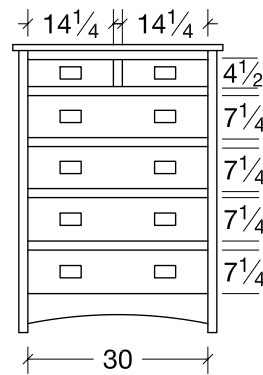
SMLC
Schwartz Mission
Lingerie Chest
6 drawer
24w x 18d x 57h



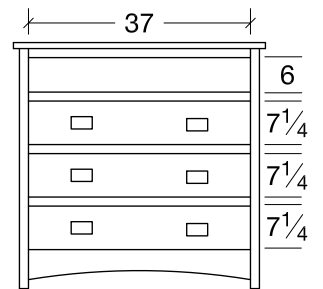
SMGC
Schwartz Mission
Grand Chest
6 drawer
42w x 21d x 52h



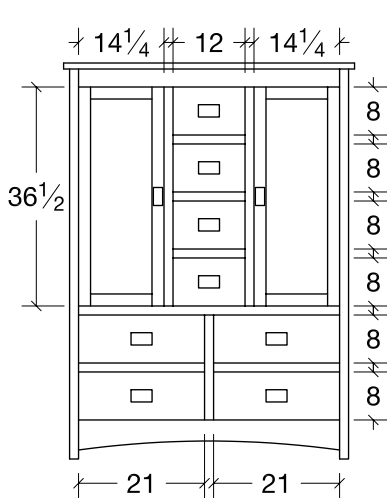
SMDEC
Schwartz Mission
Desk Chest
5 drawer
42w x 21d x 52h



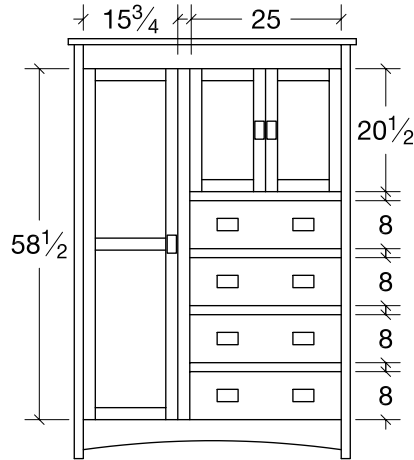
SMC6
Schwartz Mission
Chest
6 drawer
35w x 21d x 48h



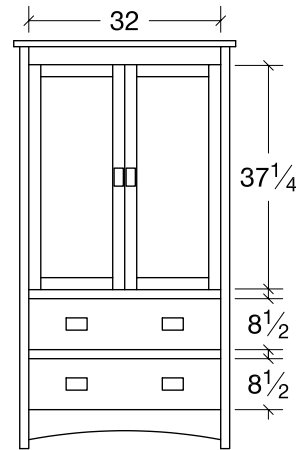
SMMEC
Schwartz Mission
Media Chest
3 drawer, 1 opening
42w x 21d x 41h



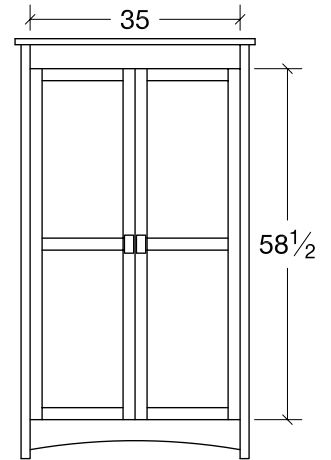
SMDOC
Schwartz Mission
Door Chest
8 drawer, 2 door
48 1/2w x 21d x 66h



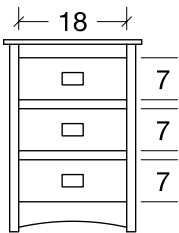
SMCH
Schwartz Mission
Chifferobe
4 drawer, 3 door
48w x 21d x 70h



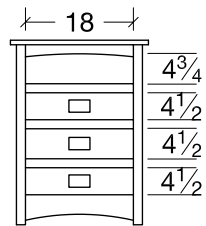
SMA1
Schwartz Mission
Armoire
2 drawer, 2 door
37w x 21d x 68h



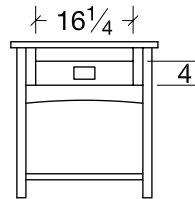
SMW
Schwartz Mission
Wardrobe
2 door
40w x 21d x 70h



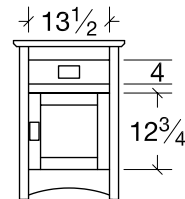
SMNS3D
Schwartz Mission
Nightstand
3 deep drawer
23w 18d x 32h



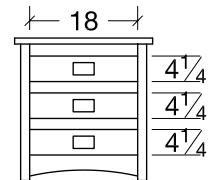
SMNS3O
Schwartz Mission
Nightstand
3 drawer, 1 opening
23w 18d x 30 3/4h



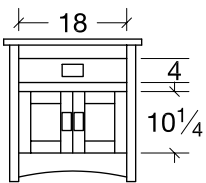
SMNS1
Schwartz Mission
Nightstand
1 drawer, 1 open slat
24 1/2w x 19d x 26h



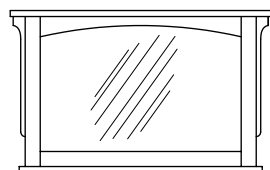
SMNS1D
Schwartz Mission
Nightstand
1 drawer, 1 door
18 1/2w 18d x 26 3/4h



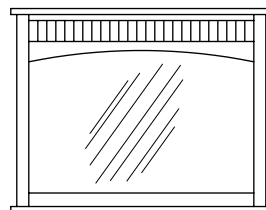
SMNS3
Schwartz Mission
Nightstand
3 drawer
23w 18d x 23 3/4h



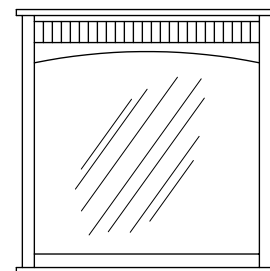
SMNS2D
Schwartz Mission
Nightstand
1 drawer, 2 door
23w 18d x 23 3/4h



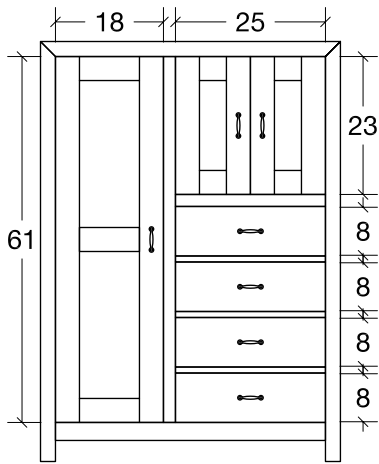
HMA
Schwartz Mission
Horizon Mirror A.
43 1/2w x 27h



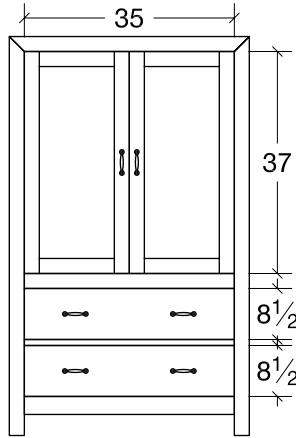
SMMI-2
Schwartz Mission
Mirror I.
40w x 34h



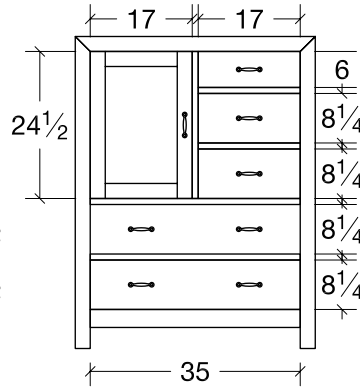
SMMI-1
Schwartz Mission
Mirror I.
40w x 45h



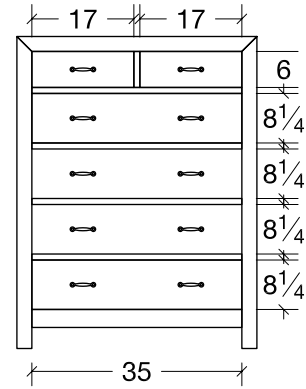
SOCH
Sonoma Chifferobe
4 drawer, 3 door
50w x 20³/₄d x 70h



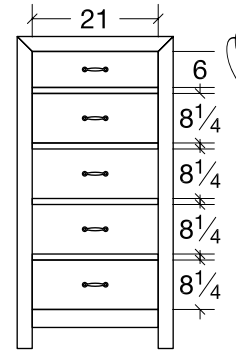
SOA
Sonoma Armoire
2 drawer, 2 door
40w x 20³/₄d x 66¹/₂h



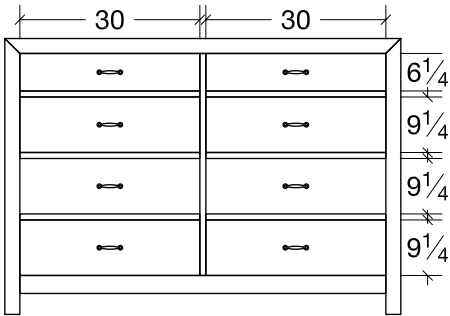
SODOC
Sonoma Door Chest
5 drawer, 1 door
40w x 20³/₄d x 52h



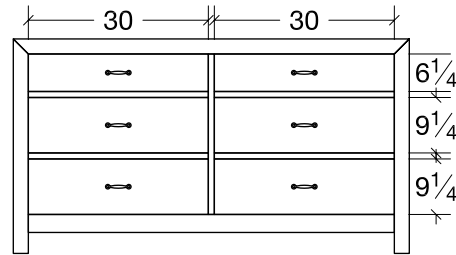
SOC6
Sonoma Chest
6 drawer
40w x 20³/₄d x 52h



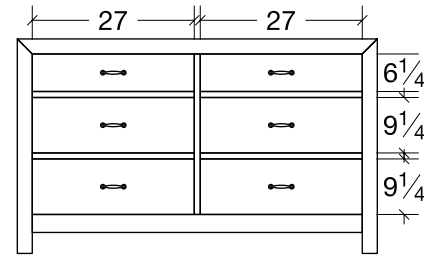
SOLC
Sonoma Lingerie Chest
5 drawer
26w x 18d x 52h



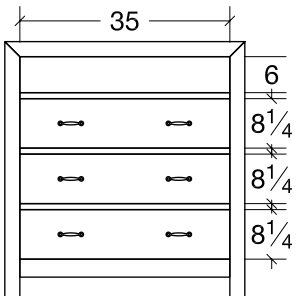
SODR8
Sonoma Dresser
8 drawer
66w x 20³/₄d x 46h



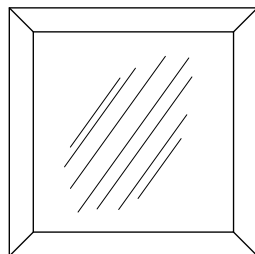
SODR6
Sonoma Dresser
6 drawer
66w x 20³/₄d x 36h



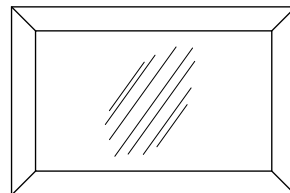
SO6DR60
Sonoma Dresser
6 drawer
60w x 20³/₄d x 36h



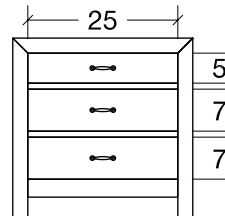
SOMC
Sonoma Media Chest
3 drawer, 1 opening
40w x 20³/₄d x 42³/₄h



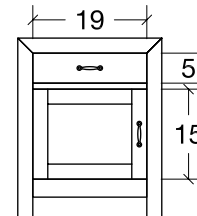
SOMR42
Sonoma Mirror
42w x 42h



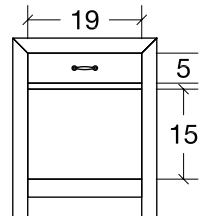
SOMR48
Sonoma Mirror
48w x 32h



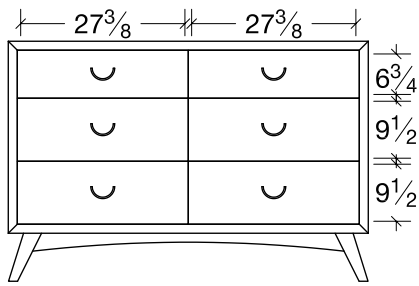
SONS3
Sonoma Night Stand
3 drawer
30w x 18d x 30h



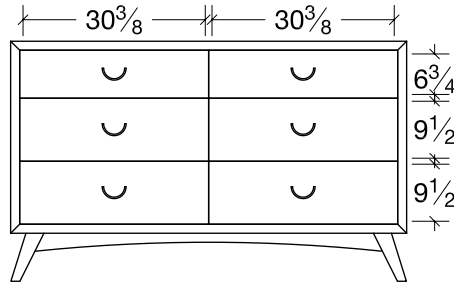
SONS1D
Sonoma Night Stand
1 drawer, 1 door
24w x 18d x 30h



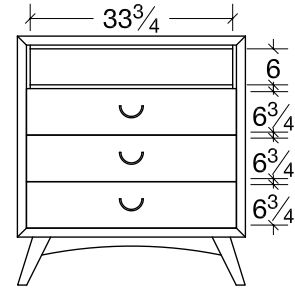
SONS1O
Sonoma Night Stand
1 drawer, 1 opening
24w x 18d x 30h



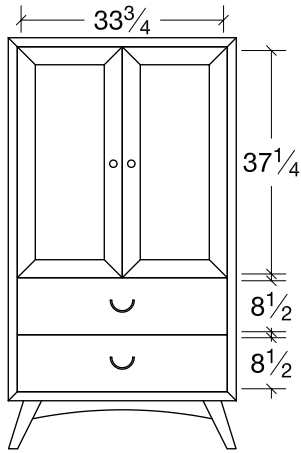
TU6DR60
Tucson 60" Dresser
6 drawer
60w x 21d x 40 1/2h



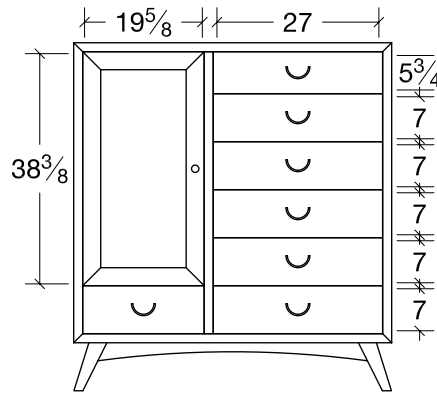
TU6DR6
Tucson 66" Dresser
6 drawer
66w x 21d x 40 1/2h



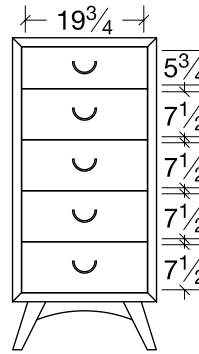
TUMEC
Tucson Media Chest
3 drawer
38w x 21d x 41 1/2h



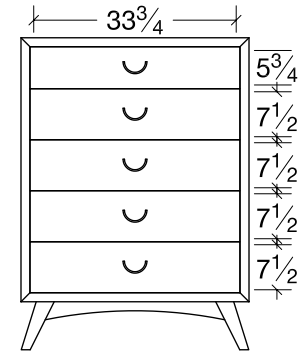
TUA
Tucson Armoire
2 drawer, 2 door
38w x 21d x 68 1/2h



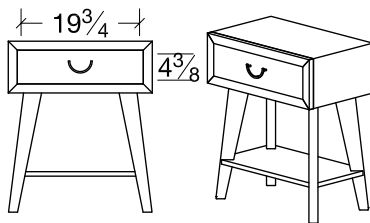
TUDOC
Tucson Door Chest
7 drawer, 1 door
53w x 21d x 58 1/2h



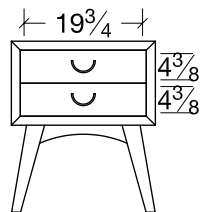
TULC
Tucson Lingerie Chest
5 drawer
24w x 15d x 52 1/2h



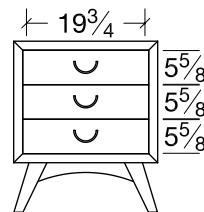
TUC5
Tucson Chest
5 drawer
38w x 21d x 52 1/2h



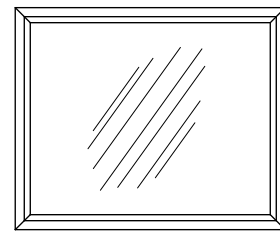
TUNS1
Tucson Night Stand
1 drawer w/open shelf
24w x 15d x 28 1/2h



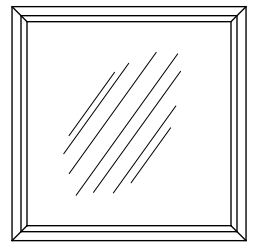
TUNS2
Tucson Night Stand
2 drawer
24w x 15d x 28 1/2h



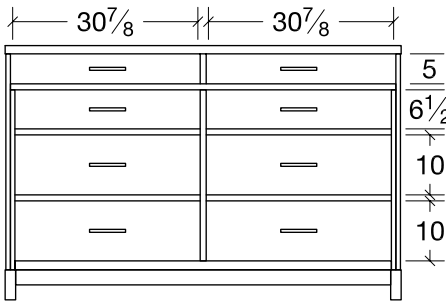
TUNS3
Tucson Night Stand
3 drawer
24w x 15d x 28 1/2h



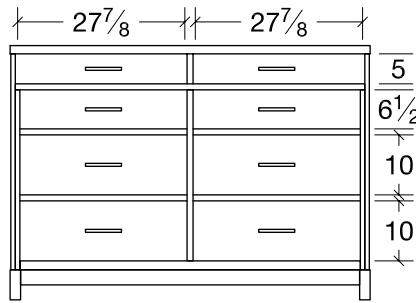
TUMR45
Tucson Mirror
45w x 37h



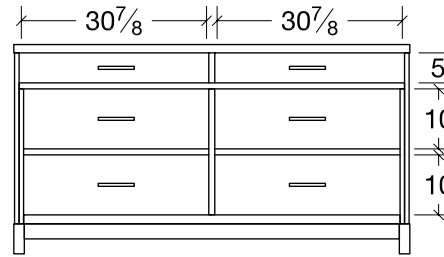
TUMR39
Tucson Mirror
39w x 39h



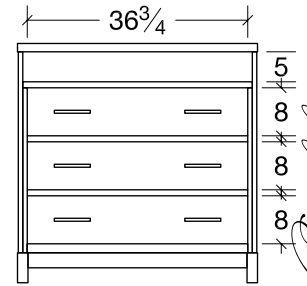
WE8DR66
Westmere Dresser
8 drawer
66w x 22d x 42 1/2h



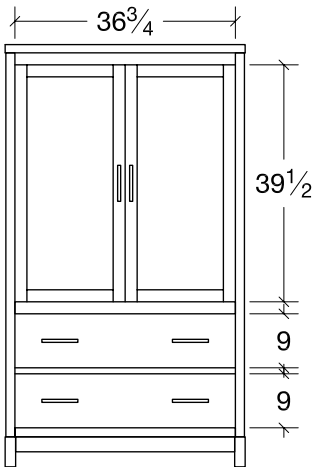
WED8
Westmere Dresser
8 drawer
60w x 22d x 42 1/2h



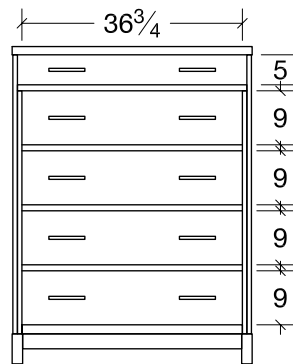
WE6DR66
Westmere Dresser
6 drawer
66w x 22d x 35h



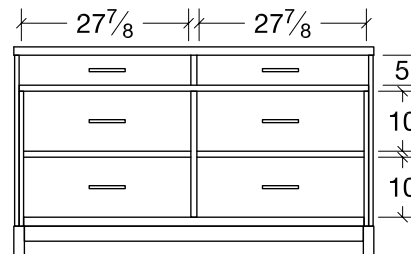
WEMC
Westmere Media Chest
3 drawer, 1 opening
40w x 22d x 40h



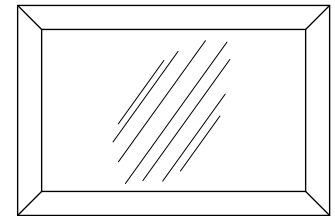
WEA
Westmere Armoire
2 drawer, 2 door
40w x 24d x 70 1/2h



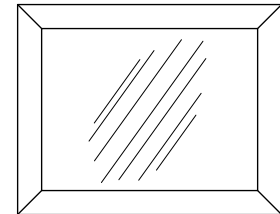
WEC5
Westmere Chest
5 drawer
40w x 22d x 53h



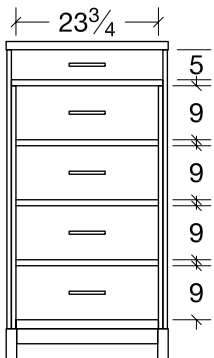
WED6
Westmere Dresser
6 drawer
60w x 22d x 35h



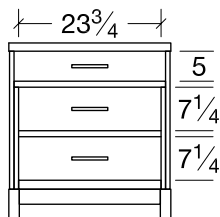
WEM52
Westmere Mirror
52w x 35h



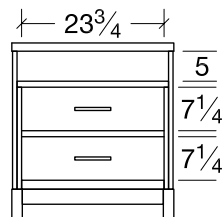
WEM44
Westmere Mirror
44w x 35h



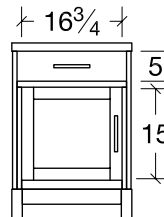
WELC
Westmere Lingerie Chest
5 drawer
27w x 18d x 53h



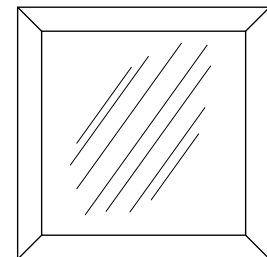
WENS3
Westmere Nightstand
3 drawer
27w x 18d x 29 1/2h



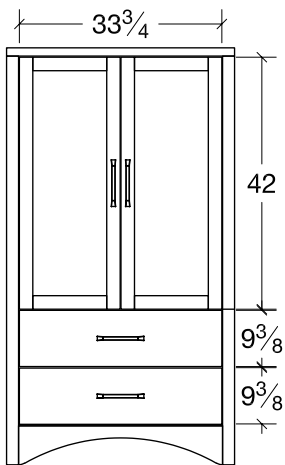
WENS20
Westmere Nightstand
2 drawer, 1 opening
27w x 18d x 29 1/2h



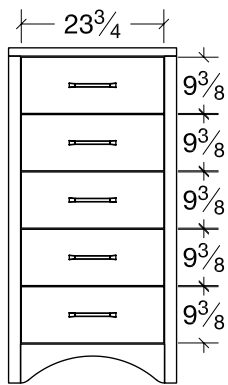
WENS1D
Westmere Nightstand
1 drawer, 1 door
20w x 18d x 29 1/2h



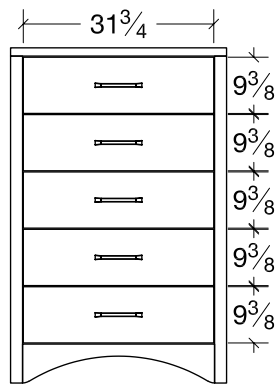
WEM42
Westmere Mirror
42w x 42h



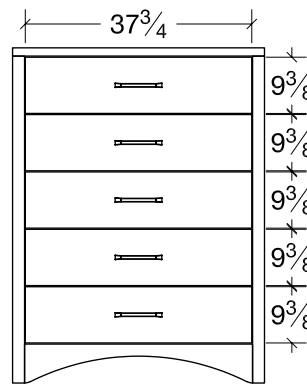
WOAR
Woodmont
Armoire
2 drawer, 2 door
38w x 21d x 69 1/2h



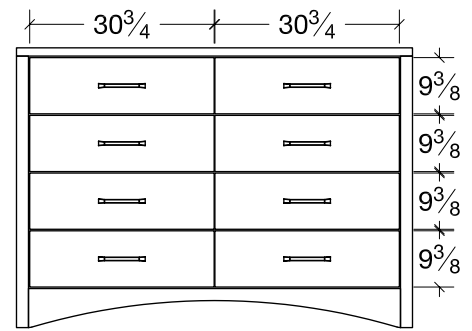
WOLC
Woodmont
Lingerie Chest
5 drawer
28w x 21d x 56h



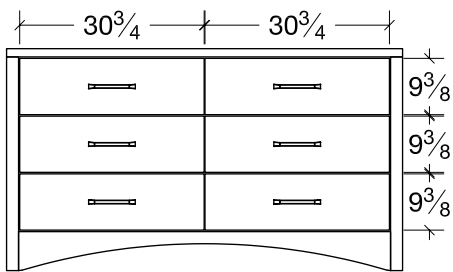
WOC5
Woodmont
Chest
5 drawer
36w x 21d x 56h



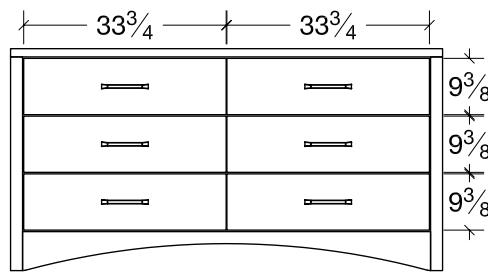
WOGC
Woodmont
Grand Chest
5 drawer
42w x 21d x 56h



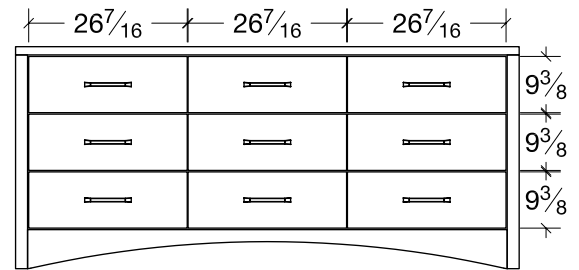
WOD8
Woodmont
Dresser
8 drawer
66w x 21d x 46 5/8h



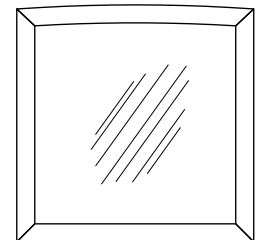
WOD66
Woodmont
Dresser
6 drawer
66w x 21d x 37h



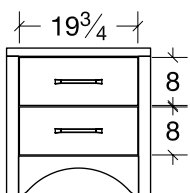
WOD72
Woodmont
Dresser
6 drawer
72w x 21d x 37h



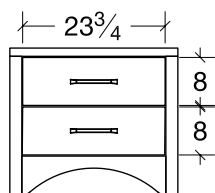
WOD9
Woodmont
Dresser
9 drawer
84w x 21d x 37h



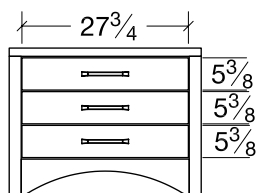
WOMR
Woodmont
Mirror
39 1/2w x 39 1/2h



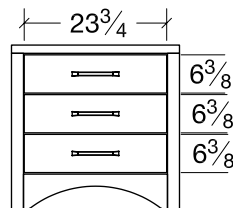
WONS2
Woodmont
Nightstand
2 drawer
24w x 18d x 24 3/4h



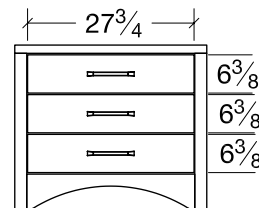
WONS28
Woodmont
Nightstand
2 drawer
28w x 21d x 24 3/4h



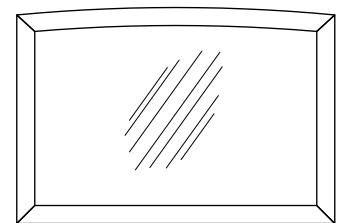
WONS32
Woodmont
Nightstand
3 drawer
32w x 21d x 24 3/4h



WONS3
Woodmont
Nightstand
3 drawer
28w x 21d x 28h



WONS328
Woodmont
Nightstand
3 drawer
32w x 21d x 28h



WOMR53
Woodmont
Mirror
53w x 36h

WOMR46
Woodmont
Mirror
46w x 36h

MSchwartz
Woodworking
LLC

Quality Bedroom Furniture

Our Process



Where it all begins!



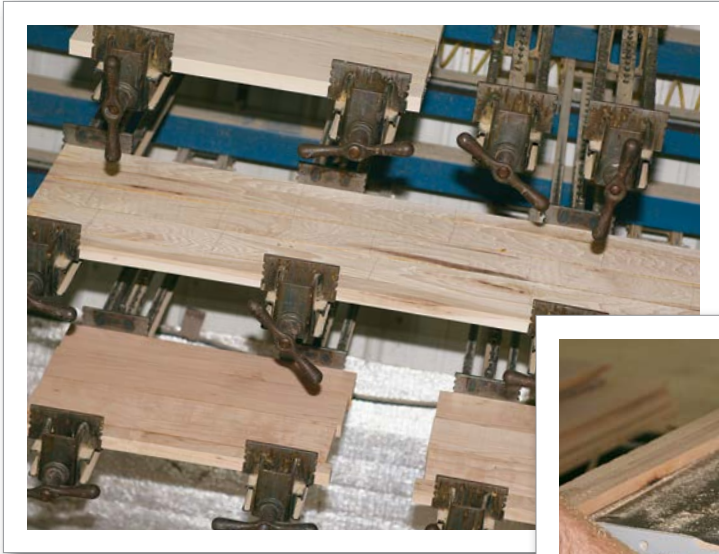
Stacks of lumber ready to be made into heirloom pieces.



The fully framed cabinets are carefully assembled, doors and drawers installed by the craftsman



Each piece is hand sanded, preparing it to be finished.



Boards are cut, glued and clamped into many different sizes.



More boards being cut and used for face frames.



Face frames are precisely measured and assembled with pocket screws.



Stain is sprayed then wiped off for an even color tone.



The sealer and top coat are carefully applied, giving each piece a smooth and durable finish.



2024 – 2025

SCHWARTZ WOODWORKING LLC